

CUSTOMER PRINT

PART NUMBER: 16980-XSG-5XX

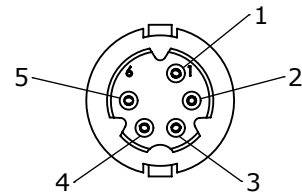
NOTES:
 1. PARTS ARE TO BE BULK PACKED.
 2. PARENTHESIS () INDICATE REFERENCE DIMENSION.

ASS'Y P/N	CONTACT QTY.	KEY STYLE
16980-5SG-5XX	5 - #26	A-KEY
16980-6SG-5XX	6 - #26	B-KEY
16980-7SG-5XX	7 - #26	A-KEY

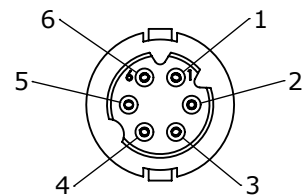
ASS'Y P/N	CABLE O.D.
16980-XSG-518	0.175-0.185
16980-XSG-521	0.205-0.215
16980-XSG-522	0.215-0.225

NUMBER OF CONTACTS

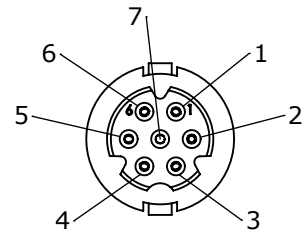
GROMMET SIZE



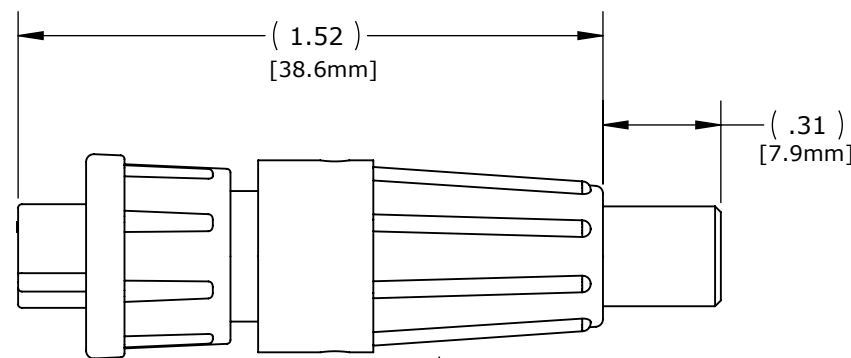
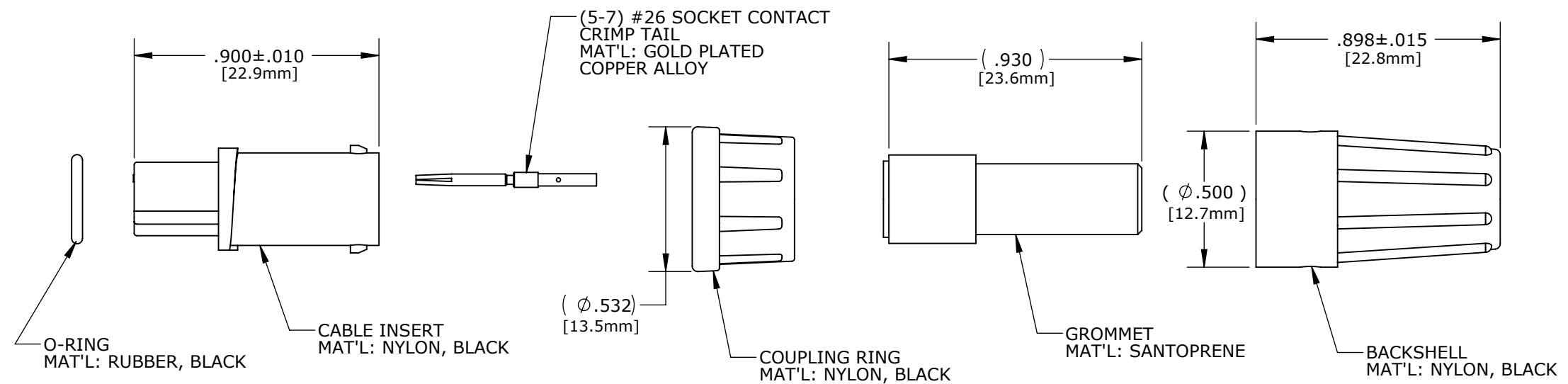
FACE VIEW
 16980-5SG-5XX
 5 POSITION
 A-KEY



FACE VIEW
 16980-6SG-5XX
 6 POSITION
 B-KEY



FACE VIEW
 16980-7SG-5XX
 7 POSITION
 A-KEY



ASSEMBLED KIT VIEW
 FOR CUSTOMER REFERENCE ONLY

DIMENSIONS IN BRACKET [] ARE METRIC.

CUSTOMER APPROVAL

THIS DOCUMENT CONTAINS CONFIDENTIAL INFORMATION PROPRIETARY TO CONXALL CORPORATION. ANY REPRODUCTION, DISCLOSURE, OR USE OF THIS DOCUMENT /INFORMATION IS EXPRESSLY PROHIBITED UNLESS AUTHORIZED IN WRITING BY CONXALL CORPORATION.

APPROVED BY: _____
 DATE: _____

RoHS COMPLIANT

B	AN	01-06-12	REMOVED 16980-XSG-3XX, SUPERSEDED DWG. 16980-XSG-XXX, ADDED MATERIALS. PER ECR 8074
A	PAK	08-10-10	DRAWING CREATED PER DOR 06-E168CS
REV.	INIT.	DATE	DESCRIPTION
	PAK	02/11/10	ORIG. DRAWN BY: DATE: 02/11/10
ALL INFORMATION ILLUSTRATED IS THE PROPERTY OF CONXALL CORPORATION. UNAUTHORIZED DUPLICATION OR DISTRIBUTION OF THIS DOCUMENT IS PROHIBITED.			<p>601 E. WILDWOOD VILLA PARK, IL 60181</p>
UNLESS OTHERWISE SPECIFIED TOLERANCES: 3 PLACE DECIMALS ±.010 ANGLES ±1° FRACTIONS ±1/16			
APPROVED BY:		SCALE	TITLE
		NTS	CABLE CONNECTOR KIT
		SIZE	#26 SOCKET CONTACT, CRIMP
		SHEET	MICRO-CON-X, A-KEY & B-KEY
		1 OF 1	STANDARD PRODUCT
FILE:	DIRECTORY:	PART NUMBER:	CUSTOMER:
16980-XSG-5XX	SLW	16980-XSG-5XX	
			REV B