



DFROBOT
DRIVE THE FUTURE



Machine Friction Disc Lock Washer Torque Limiter Coupling

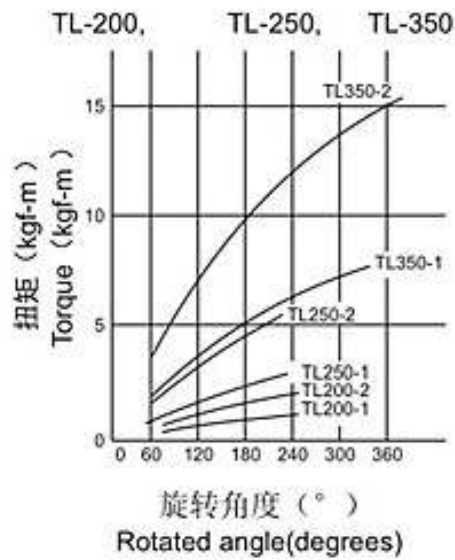
SKU:FIT0589

INTRODUCTION

Torque limiter is a protective device that limits the torque transmitted in a drive system by slipping when the torque demand exceeds a preset value as a result of shock loads, overloads, or machine jams. It automatically re-engages when the overload is removed.

This model TL350-2 uses a spring-loaded friction surface to adjust the spring force with a nut or bolt to preset the sliding torque. It can be used as a center member with a sprocket, a gear sheave or a flange plate, sandwiched between the friction surfaces.

◇ 旋转角度与预设扭力 rotated angle and setting torque

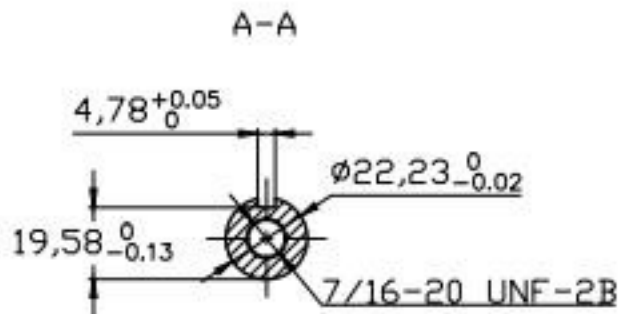


◇ TL200~TL700

Dimensions and Capacity for -TL200~TL700

尺寸: (mm)
Dimensions in mm

型号 Model	扭矩范围 Torque Range (Nm)	最高转速 Max.speed unbalanced rpm	成品内孔 Pilot Bore	最大孔径 Max. Bore	衬环长度 Bushing Length	衬环外径 O.D.of Bushing	中心元件配合孔径 Bore for center Member	D	DH	L	I	T	t	S (max.)	A	C	质量 Mass (kg)	调节螺栓 Adjust.Bolt
TL350-1	20~74	5600	17	25	6.0	49	49	89	M42	62	19	4.0	3.2	16	5	65	2.48	-
TL350-2	34~149																	



SPECIFICATION

- Type: TL350-2 (With special keyway and inner hole)
- Inner hole diameter: 22.23mm
- Keyway width: 4.78mm
- Torque range: 34~149N*m
- Maximum speed: 5600
- Weight: 2.48 kg
- Material: the main body is 45 steel, the friction plate is non-asbestos material

SHIPPING LIST

- Machine Friction Disc Lock Washer Torque Limiter Coupling x1

