

# SACC-CIP-M12MST-4P SMD T - Contact carrier



1411948

<https://www.phoenixcontact.com/us/products/1411948>

Please be informed that the data shown in this PDF document is generated from our online catalog. Please find the complete data in the user documentation. Our general terms of use for downloads are valid.



Contact carrier, Power, 4-position, Plug, straight, M12, coding: T , PCB mounting, SMD, Alternative product in accordance with RoHS II without Exemption 6c (Pb <0.1%) item no.: 1238931

## Your advantages

- For compact devices: transmit high power in a confined space
- Reduced mounting costs thanks to two-piece device connector
- Packaging available for automated pick and place assembly
- All common pin assignments and codings available
- Easy device integration thanks to mechanical port screw connections with threaded attachment, press-in contour or direct integration in the front plate
- Additional gasket for the device when not plugged in

## Commercial data

Item number	1411948
Packing unit	1 pc
Minimum order quantity	60 pc
Sales key	AB27
Product key	ABQBGO
GTIN	4046356990752
Weight per piece (including packing)	4.656 g
Weight per piece (excluding packing)	4.654 g
Customs tariff number	85366990
Country of origin	DE

## Technical data

### Notes

General	The electrical and mechanical data specified assume that the connector pair is correctly locked and mounted. If the connector is unlocked and if there is a danger of contamination, the connector must be sealed using a protective cap > IP54. Influences arising from litz wires, cables or PCB assembly must also be taken into consideration.
---------	----------------------------------------------------------------------------------------------------------------------------------------------------------------------------------------------------------------------------------------------------------------------------------------------------------------------------------------------------

### Product properties

Product type	Contact insert
Sensor type	Power
Number of positions	4
Application	Power
Seal present	yes
Shielded	no
Coding	T
Thread type	M12

### Insulation characteristics

Overvoltage category	III
Degree of pollution	3

### Electrical properties

Rated voltage in acc. with IEC 61076-2-101	630 V
Rated surge voltage	1.5 kV
Contact resistance	≤ 3 mΩ
Insulation resistance	≥ 100 MΩ
Nominal voltage $U_N$	63 V
Nominal current $I_N$	12 A

### Interfaces

Signal type/category	Power
----------------------	-------

### Material specifications

Flammability rating according to UL 94	V0
Seal material	FKM
Contact material	CuZn
Contact surface material	Au
Contact carrier material	PA

### Connector

#### Connection 1

Head design	Plug
-------------	------

# SACC-CIP-M12MST-4P SMD T - Contact carrier



1411948

<https://www.phoenixcontact.com/us/products/1411948>

Head cable outlet	straight
Head thread type	M12
Coding	T

## Cable/line

Signal type/category	Power
----------------------	-------

## Mechanical properties

### Mechanical data

Insertion/withdrawal cycles	> 100
-----------------------------	-------

## Environmental and real-life conditions

### Ambient conditions

Degree of protection (when plugged in)	IP67 (correctly plugged in and locked)
Degree of protection	IP67, when plugged in
Ambient temperature (operation)	-25 °C ... 105 °C (Plug / socket)
	-40 °C ... 105 °C (without mechanical actuation)

## Standards and regulations

### M12

Standard designation	M12 connector
Standards/specifications	IEC 61076-2-111
Note	In line with

## Mounting

Mounting type	PCB mounting
Connection method	SMD

## Packaging specifications

Type of packaging	Tray
Delivery state	with assembly pad

# SACC-CIP-M12MST-4P SMD T - Contact carrier

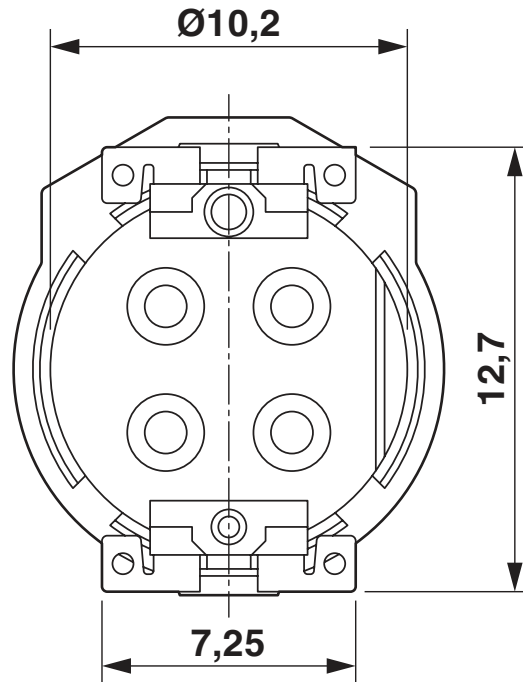


1411948

<https://www.phoenixcontact.com/us/products/1411948>

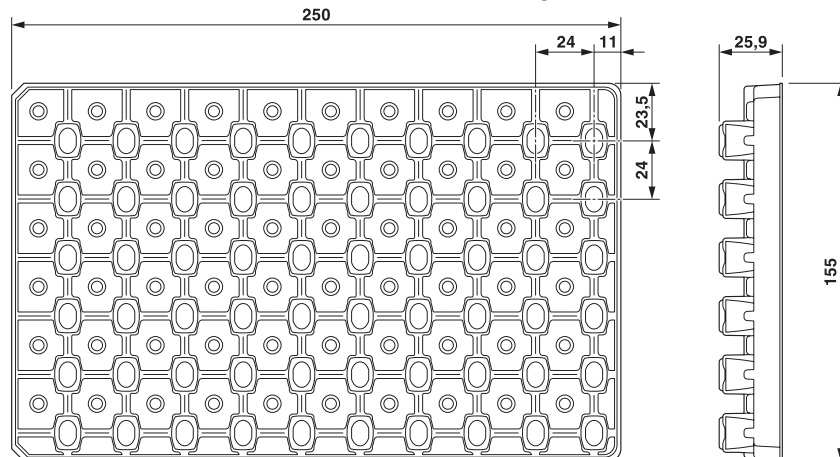
## Drawings

Dimensional drawing



View of solder side

Dimensional drawing



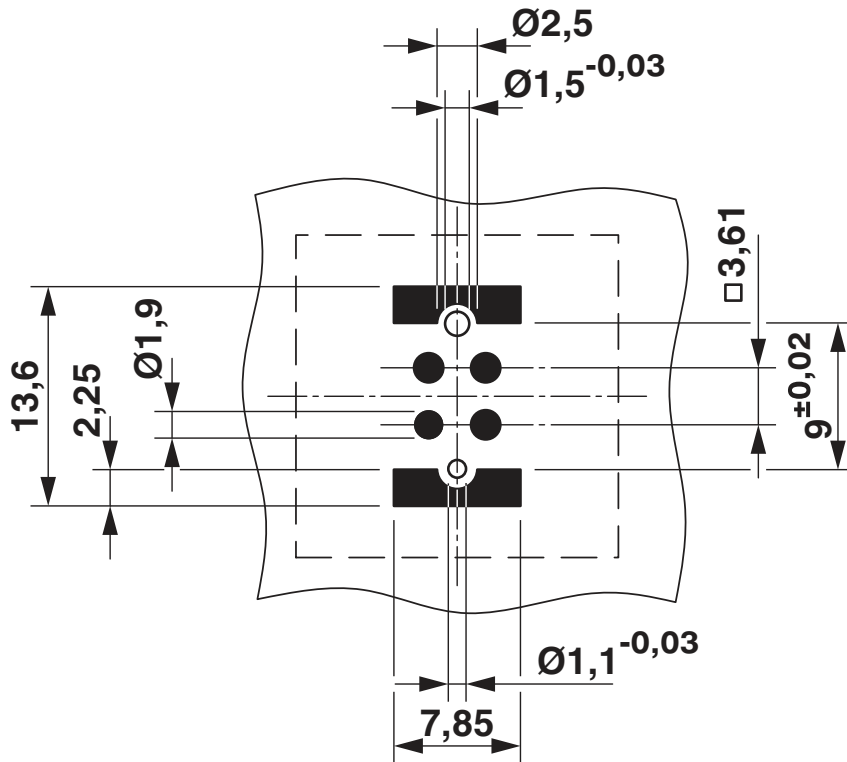
SMD tray packaging

# SACC-CIP-M12MST-4P SMD T - Contact carrier

1411948

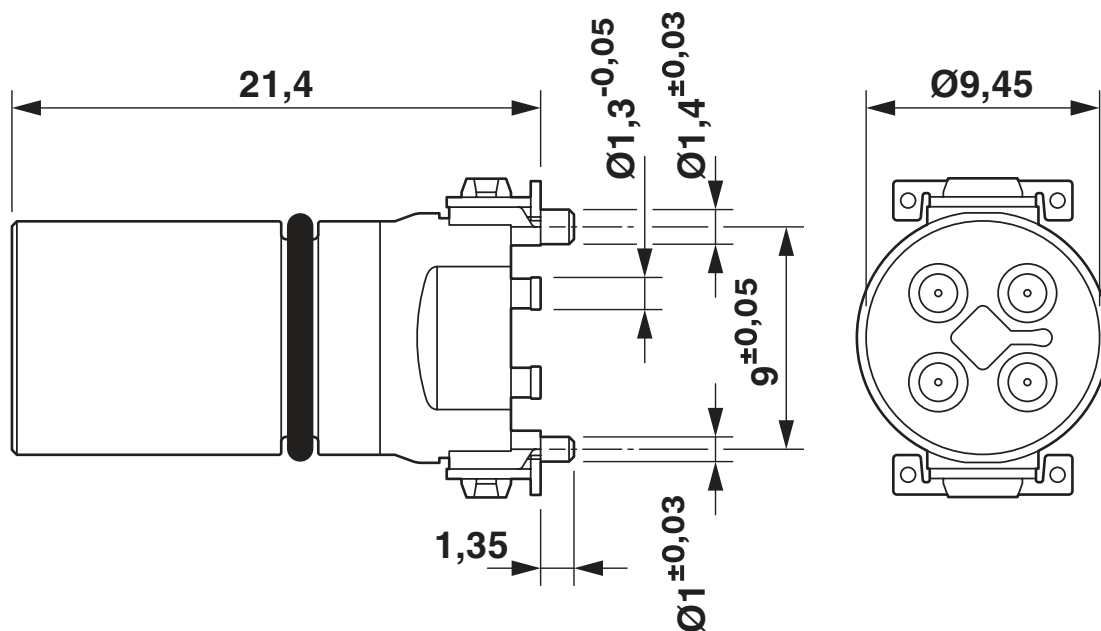
<https://www.phoenixcontact.com/us/products/1411948>

Drilling plan/solder pad geometry



Soldering pad geometry

Dimensional drawing



Dimensional drawing

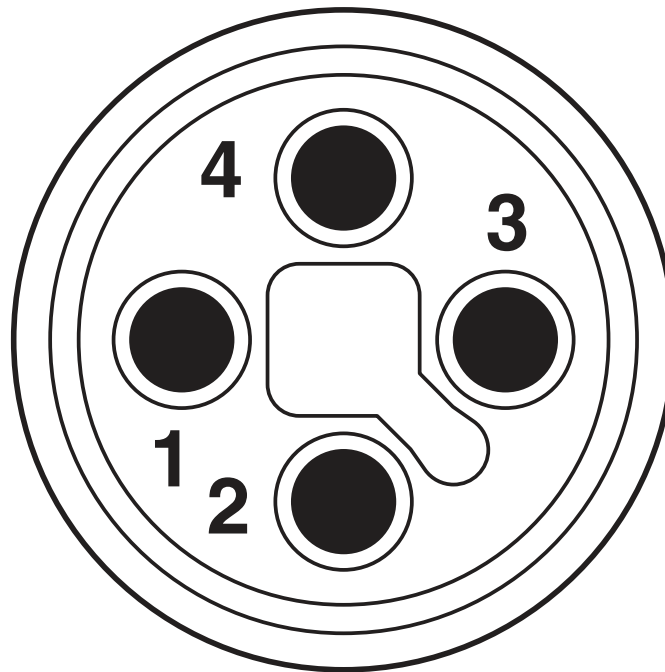
# SACC-CIP-M12MST-4P SMD T - Contact carrier

1411948

<https://www.phoenixcontact.com/us/products/1411948>



Schematic diagram



Connector pin assignment of M12 plug, 4-pos., T-coded, view of pin side

# SACC-CIP-M12MST-4P SMD T - Contact carrier





1411948


<https://www.phoenixcontact.com/us/products/1411948>

## Approvals

To download certificates, visit the product detail page: <https://www.phoenixcontact.com/us/products/1411948>

 <b>cUL Recognized</b> Approval ID: E468743-20190917				
	Nominal voltage $U_N$	Nominal current $I_N$	Cross section AWG	Cross section $\text{mm}^2$
	63 V	8 A	-	-

 <b>UL Recognized</b> Approval ID: E468743-20190917				
	Nominal voltage $U_N$	Nominal current $I_N$	Cross section AWG	Cross section $\text{mm}^2$
	63 V	10 A	-	-

 <b>EAC</b> Approval ID: B.01687	
-----------------------------------------------------------------------------------------------------------------------	--

<b>cULus Recognized</b>	
-------------------------	--

# SACC-CIP-M12MST-4P SMD T - Contact carrier



1411948

<https://www.phoenixcontact.com/us/products/1411948>

## Classifications

### ECLASS

ECLASS-11.0	27440102
ECLASS-12.0	27440116
ECLASS-13.0	27440116

### ETIM

ETIM 8.0	EC002635
----------	----------

### UNSPSC

UNSPSC 21.0	39121400
-------------	----------



# SACC-CIP-M12MST-4P SMD T - Contact carrier



1411948

<https://www.phoenixcontact.com/us/products/1411948>

## Environmental product compliance

REACH SVHC	Lead 7439-92-1
China RoHS	Environmentally Friendly Use Period = 50 years
	For information on hazardous substances, refer to the manufacturer's declaration available under "Downloads"

# SACC-CIP-M12MST-4P SMD T - Contact carrier



1411948

<https://www.phoenixcontact.com/us/products/1411948>

## Accessories

### SACC-BP-M-M12/M15-6-SMD - Housing screw connection

1414000

<https://www.phoenixcontact.com/us/products/1414000>



Housing screw connection, Rear mounting, Alternative product in accordance with RoHS II without Exemption 6c (Pb <0.1%) item no.: 1239053

---

### SACC-BP-M-M12/M15-6-SMD SCO - Housing screw connection

1414002

<https://www.phoenixcontact.com/us/products/1414002>



Housing screw connection, Plug, M12-SPEEDCON, Rear mounting, M15 x 1, Alternative product in accordance with RoHS II without Exemption 6c (Pb <0.1%) item no.: 1239054

## SACC-CIP-M12MST-4P SMD T - Contact carrier

1411948

<https://www.phoenixcontact.com/us/products/1411948>



## SACC-FP-M-M12/M14 SMD - Housing screw connection

1412078

<https://www.phoenixcontact.com/us/products/1412078>



Housing screw connection, Plug, M12, Front mounting, M14 x 1, Alternative product in accordance with RoHS II without Exemption 6c (Pb <0.1%) item no.: 1238970

---

## SACC-FP-M-M12/PRESS SMD - Housing screw connection

1412080

<https://www.phoenixcontact.com/us/products/1412080>



Housing screw connection, Plug, M12, Front mounting

# SACC-CIP-M12MST-4P SMD T - Contact carrier

1411948

<https://www.phoenixcontact.com/us/products/1411948>



## SACC-BP-M-M12-SMD PP - Housing screw connection

1107993

<https://www.phoenixcontact.com/us/products/1107993>



Housing screw connection, Plug, M12-Push-Pull, Rear mounting, SMD,  
Alternative product in accordance with RoHS II without Exemption 6c (Pb <0.1%)  
item no.: 1308006

---

## SACC-FP-M-M12-SMD PP - Housing screw connection

1107999

<https://www.phoenixcontact.com/us/products/1107999>



Housing screw connection, Front mounting, SMD

---

Phoenix Contact 2023 © - all rights reserved  
<https://www.phoenixcontact.com>

Phoenix Contact USA  
586 Fulling Mill Road  
Middletown, PA 17057, United States  
(+717) 944-1300  
[info@phoenixcon.com](mailto:info@phoenixcon.com)