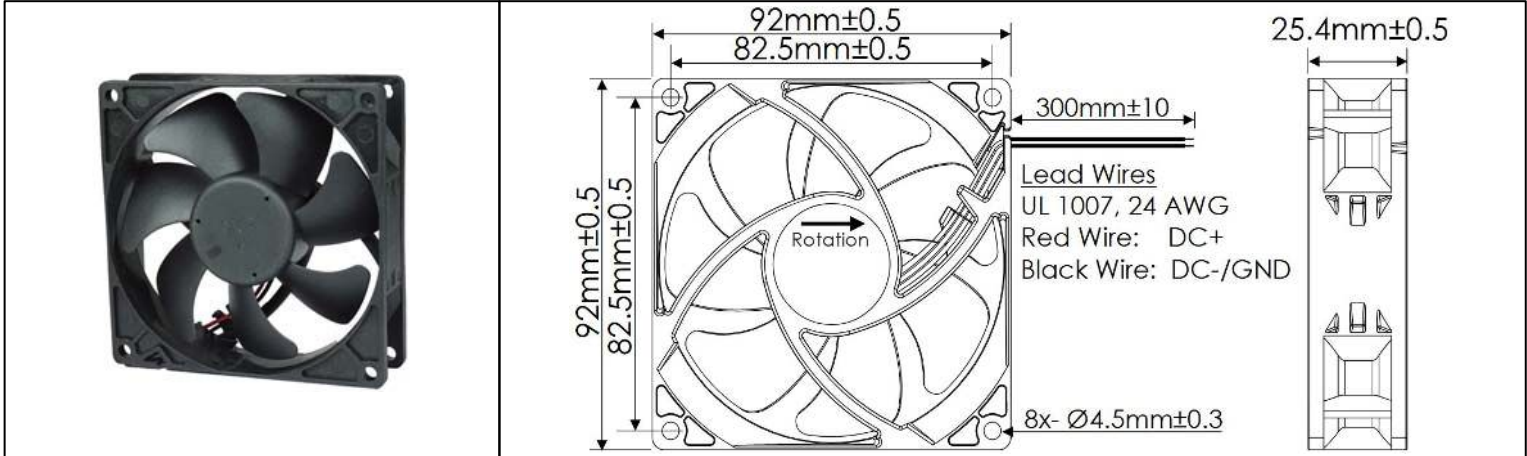


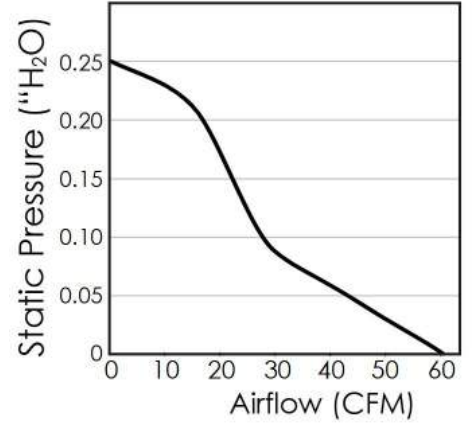
OD9225 Sealed Sleeve Series



DC Fans - 12, 24V
92mm x 25.4mm (3.6" x 1.0")



Frame	PBT, UL94 V-0 Plastic	Operating Temperature -20°C ~ +65°C Storage Temperature -20°C ~ +75°C Life Expectancy 50,000 Hours (L10 at 40°C) Available Options PWM Speed Control Input Tachometer Output Alarm Output Other Speeds IP Ratings Weight: 0.18 lbs
Impeller	PBT, UL94 V-0 Plastic	
Connection	2x Lead Wires, 24 AWG	
Motor	Brushless DC, Auto Cutoff, Auto Restart, Polarity Protected, Electronically Protected	
Bearing System	Sealed Sleeve Bearings	
Dielectric Strength	500VDC/min, <1mA	
Insulation Resistance	≥10M Ohm @ 500 VDC	



Part Number	Rated Voltage (Volts DC)	Voltage Range (Volts DC)	Input Power (Watts)	Rated Current (Amps)(Max)	Rated Speed (RPM)	Max Airflow (CFM)	Noise Level (dBA)	Max Static Pressure ("H ₂ O)
OD9225-12HSS	12	8 ~ 13.8	3.5	0.29	3275	60.2	38	0.25"
OD9225-24HSS	24	15 ~ 26.4	4.3	0.18	3275	60.2	38	0.25"