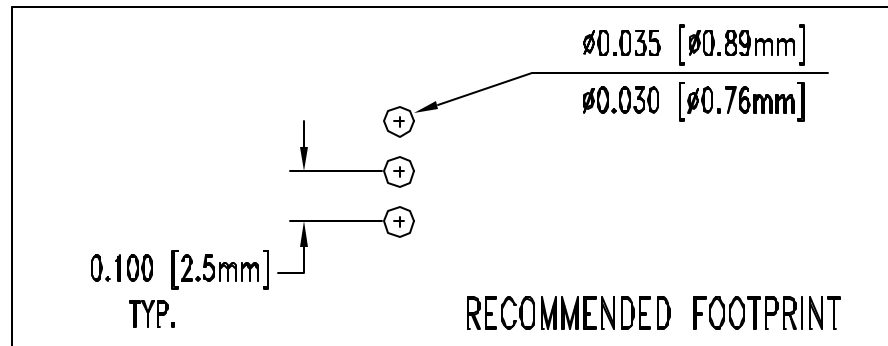
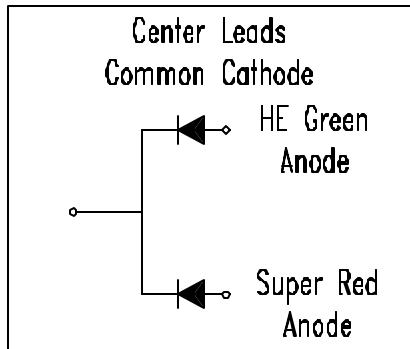
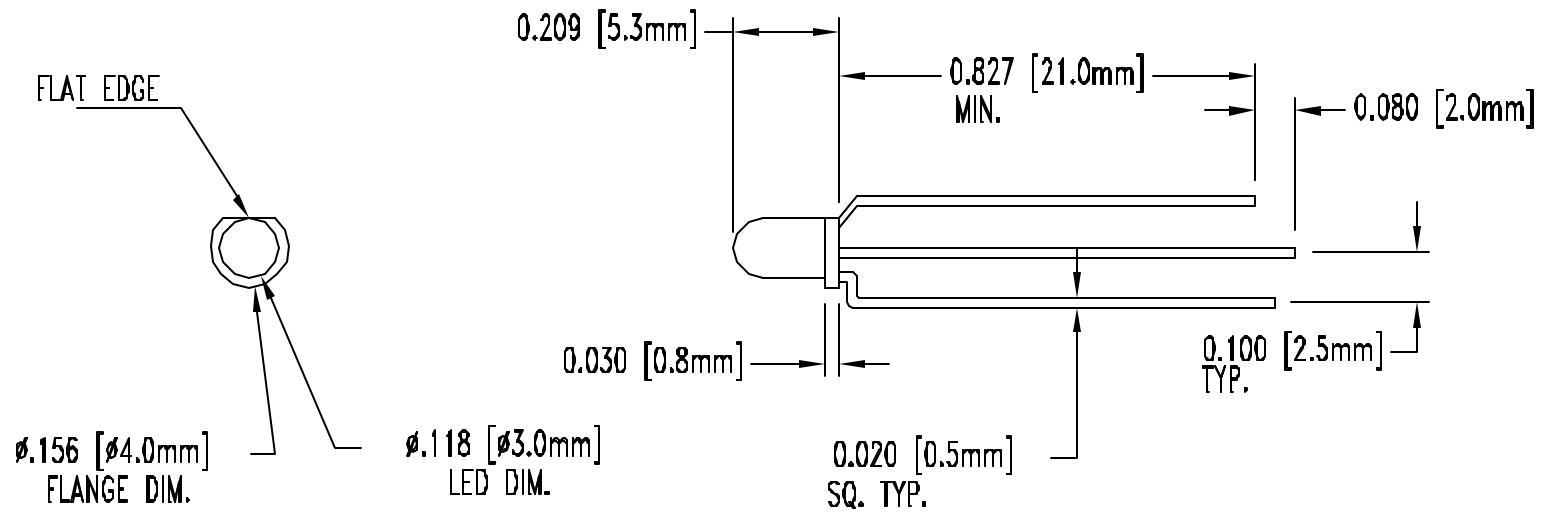


REV	DESCRIPTION	DATE	APPROVED
A	ENGINEERING RELEASE.	01/07/03	MC



LED Part No.	Chip			Lens Appearance	Absolute Maximum Ratings				Electro-Optical Data @20mA		Viewing Angle (deg)	
	Material	Peak Wave λ_P (nm)	Color		$\Delta\lambda$ (nm)	Pd (mW)	Typ. If (mA)	Peak If (mA)	Vf (V)			Iv Typ. (mcd)
3SBCC-3-F	GaAlAs/GaAs	660	Super Red	Water Clear	20	60	30	150	1.7	2.6	300.0	30
	GaP/GaP	568	HE Green		30	100	30	150	2.2	2.6	200.0	

ABSOLUTE MAXIMUM RATINGS (Ta=25° C)

REVERSE VOLTAGE _____ 5V
 REVERSE CURRENT _____ 100uA
 OPERATING TEMPERATURE RANGE _____ -25° C - 85° C
 STORAGE TEMPERATURE _____ -30° C - 100° C
 LEAD SOLDERING TEMPERATURE(1/16" FROM BODY) _____ 260° C FOR 5 SECONDS

UNLESS OTHERWISE SPECIFIED: DIMENSIONS ARE IN INCHES

TOLERANCES

DECIMALS	ANGULAR
.X ± .1	X° ± 1°
.XX ± .01	
.XXX ± .005	

Bivar®
 4 THOMAS, IRVINE, CA.92618
 TEL: (949) 961-8808 FAX: (949) 961-3074

PART NAME:
 T-1 (3mm) BI-COLOR/TRI-COLOR LED

DESIGNER DAVID GREEN	DATE 01/07/03	SIZE A	DWG. NO. 3SBCC-3-F	REV A
CHECKER M CHEN	DATE 01/07/03	SCALE 1=1	DATE CODE 32559	SHEET 1 OF 1