

6

5

4

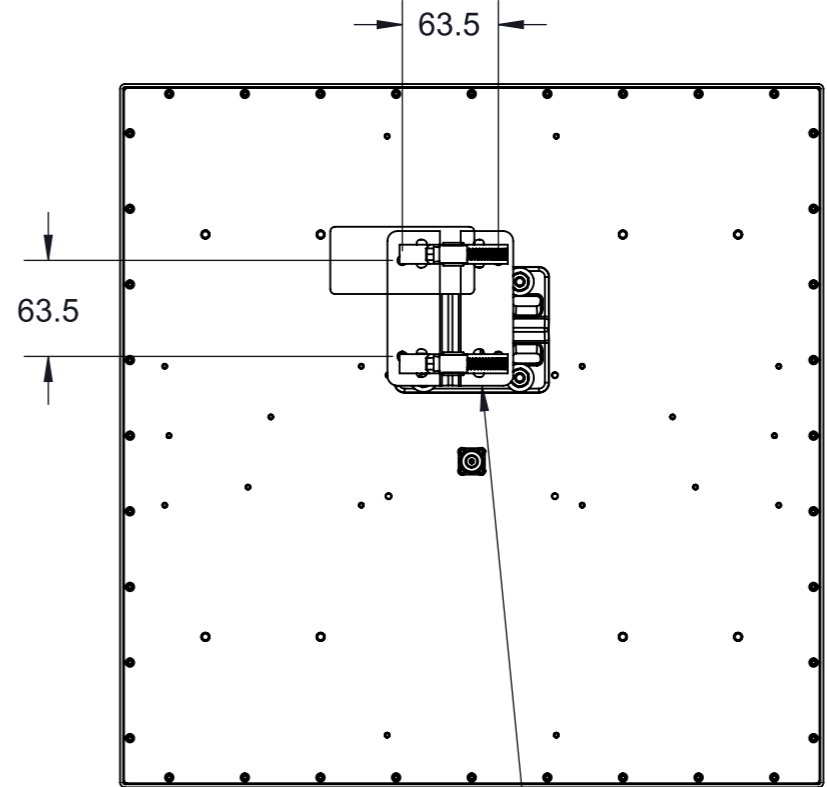
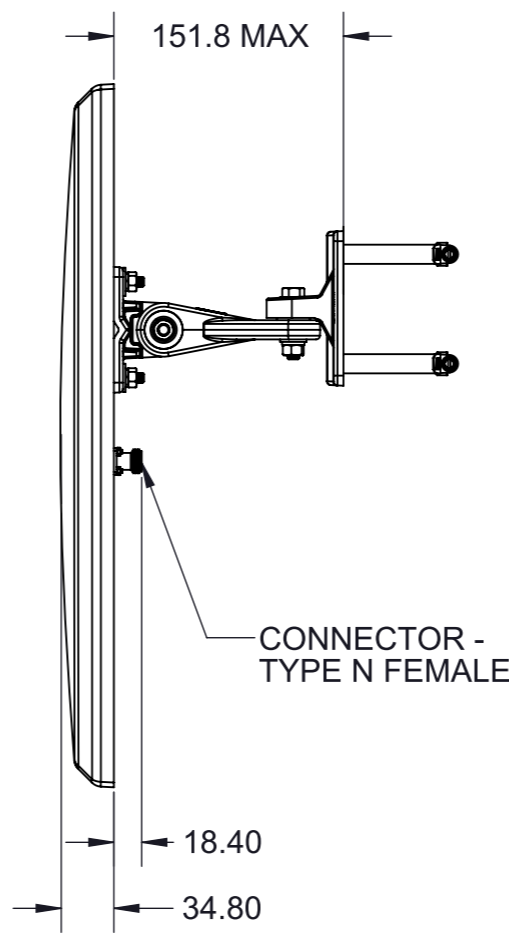
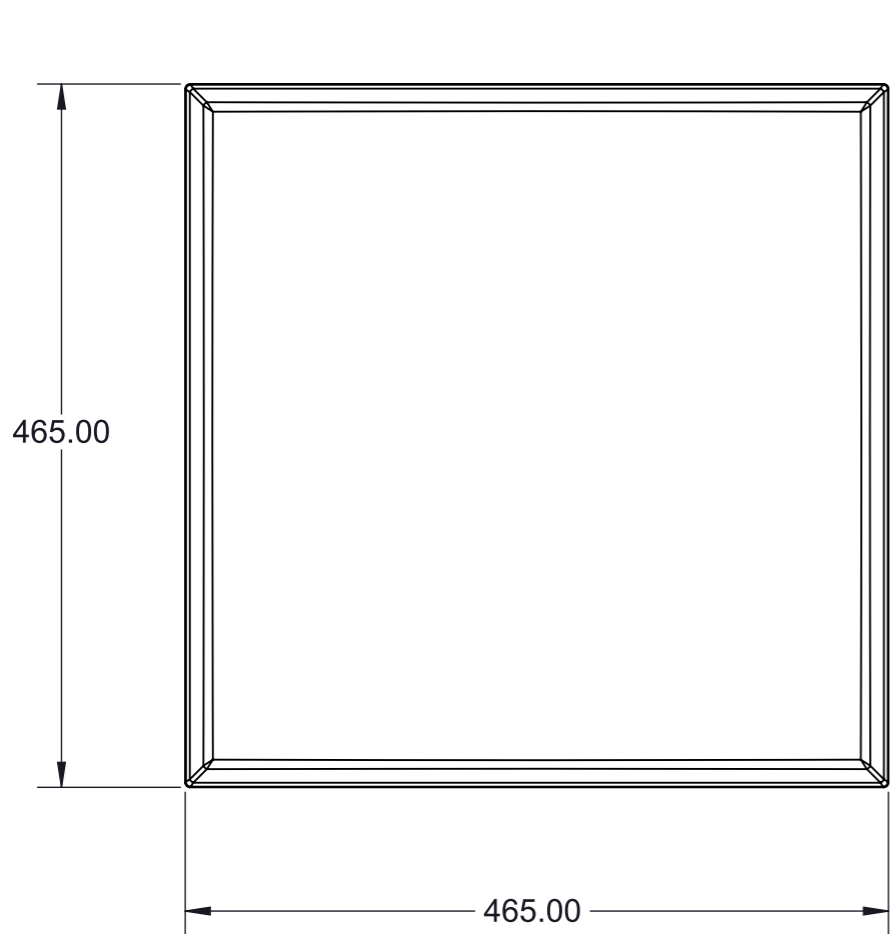
3

2

1

THIS DRAWING IS UNPUBLISHED.	RELEASED FOR PUBLICATION	- , - .
© Copyright 2022 TE Connectivity Ltd.		ALL RIGHTS RESERVED.

REVISIONS					
REV.	ECR#	ZONE	DESCRIPTION	CHANGED BY/DATE	APPROVED BY/DATE
AA			INITIAL RELEASE	MJM 8-20-13	ER 8-19-13



Mount Bracket to Wall with 1/4" Hardware  
**or**  
 Mount Bracket to Pole with Worm Gear Clamps

Parameter	Performance
Antenna Part No.	PAV865014-FNF
Frequency	865-870MHz
Gain (dBi)	13.8 nominal
Nominal Impedance	50 Ohm
<b>DC Resistance</b>	<b>Short</b>
Polarization	Linear (Vertical)
Max. VSWR	1.4:1
Horizontal 3 dB Beamwidth	38 Degree
Vertical 3 dB Beamwidth	41 Degree
Front to Back Ratio	15 dB
RF Conector	N-Female
Power	6 Watts
Weight	2.7kg (5.94lbs)
ROHS	<b>Compliant</b>

MATERIAL: NA	
FINISH: NA	
APPROVALS	
DRAWN BY	W. LIBERIS
PROJ. ENG.	W. CHANG
APPL. MECH.	<b>E. RUSSELL</b>
MFG.	B.THATCHER
DATE	10-24-12
DATE	8-20-13
DATE	8-20-13
DATE	8-20-13

THIRD ANGLE PROJECTION  
  
 DO NOT SCALE DRAWING  
 INTERPRET DIMENSIONING AND TOLERANCING IN ACCORDANCE WITH ASME Y14.5M-2009  
**TOLERANCES UNLESS OTHERWISE SPECIFIED**  
 DIMENSIONS ARE IN MILLIMETERS  
 ANGLE: ±30'  
 0 PLACE DECIMAL: ±0.5  
 1 PLACE DECIMAL: ±0.25  
 2 PLACE DECIMAL: ±0.13  
 SURFACE ROUGHNESS 1.6/√

**TE**  
connectivity

TITLE: **PAV865014-FNF**

SIZE **A3** DWG. NO. **PAV865014-FNFM0** REV **AA**

SCALE: 1:5 PREVIOUS# SHEET 1 OF 1

6

5

4

3

2

1