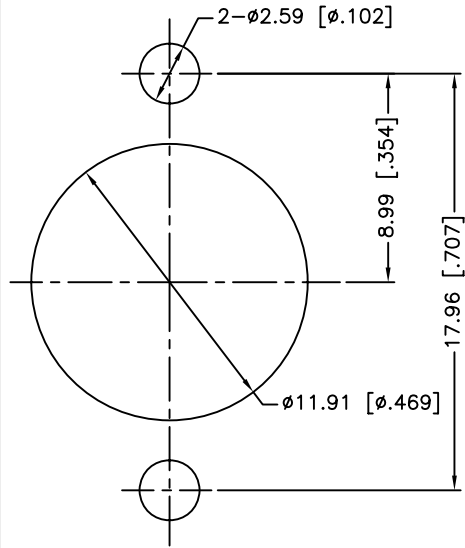
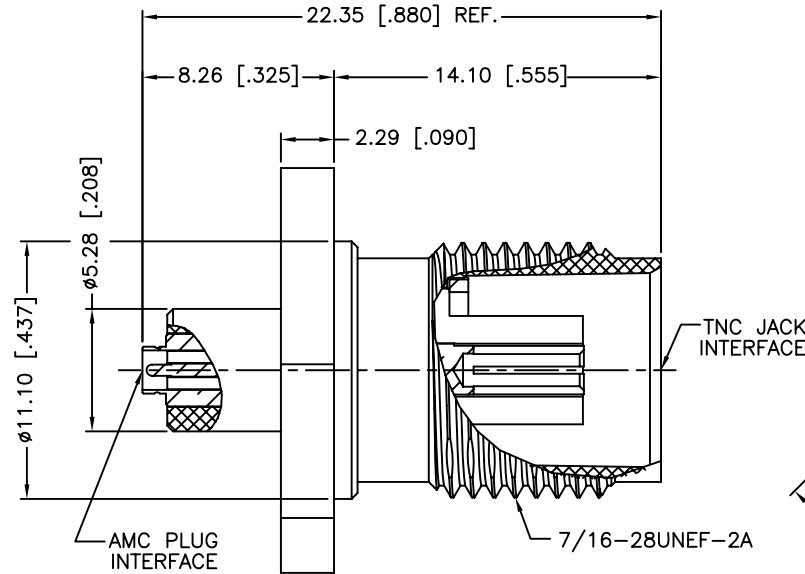


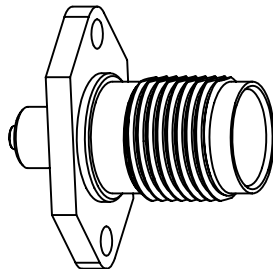
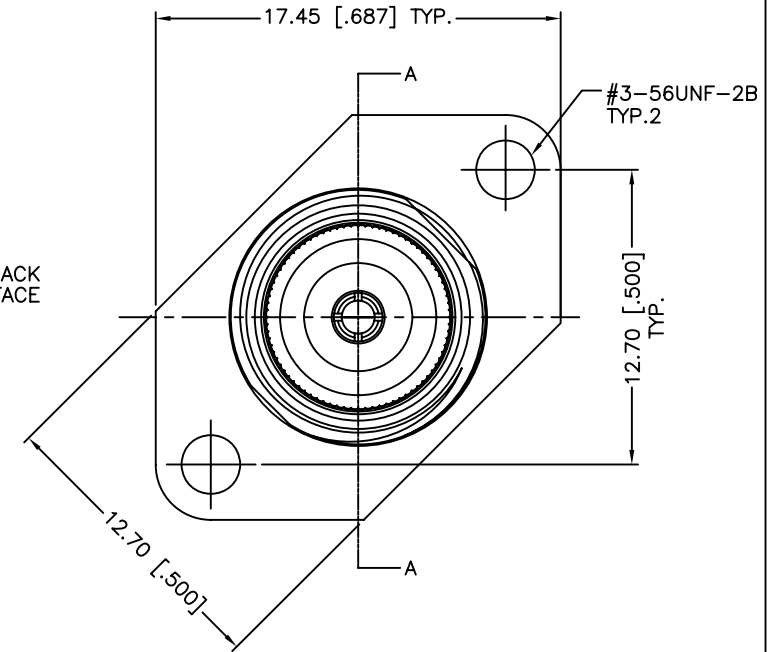
REV.	DATE	ECR NO.	DESCRIPTION
NC	04/01/11	XXXXXX	INITIAL RELEASE
A	05/11/11	2173	CHANGE THE BODY TO DIE-CAST PART



RECOMMENDED MOUNTING HOLE



SECTION A-A



- FREQUENCY RANGE: DC - 6 GHz
- VSWR(RETURN LOSS): 1.20(-20.8db)DC TO 3.0 GHz
1.30(-17.9db)3.0 TO 6.0 GHz
- DURABILITY: TNC, 500 CYCLES MIN.
AMC, 30 CYCLES MIN.
- TEMPERATURE RANGE: 40°C TO 90°C

QTY	DESCRIPTION	MATERIAL	FINISH
1	CONTACT PIN	PHOSPHOR BRONZE	GOLD
3	RETAINING RING	BRASS	NICKEL
2	INSULATOR	PTFE	NATURAL
1	BODY	ZINC DIECAST	NICKEL

UNLESS OTHERWISE SPECIFIED DIMENSIONS ARE IN MILLIMETERS. DIMENSIONS IN [] ARE IN INCHES AND FOR CUSTOMER REFERENCE ONLY.

UNLESS OTHERWISE SPECIFIED TOLERANCES FOR MILLIMETERS ARE:
0.5 - 8mm ± 0.20mm
8 - 30mm ± 0.40mm
30 - 120mm ± 0.50mm

UNLESS OTHERWISE SPECIFIED TOLERANCES FOR INCHES ARE:
.020 - .315 = ± 0.007"
.315 - 1.180 = ± 0.015"
1.180 - 4.724 = ± 0.020"

DO NOT SCALE DRAWING

APPROVALS	DATE
DRAWN M.ZHANG	05/11/11
CHECKED	
ISSUED	
SHEET 1 OF 1	
CAD FILE	C:/CONNEX/242251.DWG

Amphenol Connex			
PART DESCRIPTION AMC PLUG TO TNC JACK PANEL ADAPTER (FOR 50 OHM)			
PART NO. 242251			
DWG. NO.	242251.DWG	REV.	A
SIZE	A	SCALE	NA