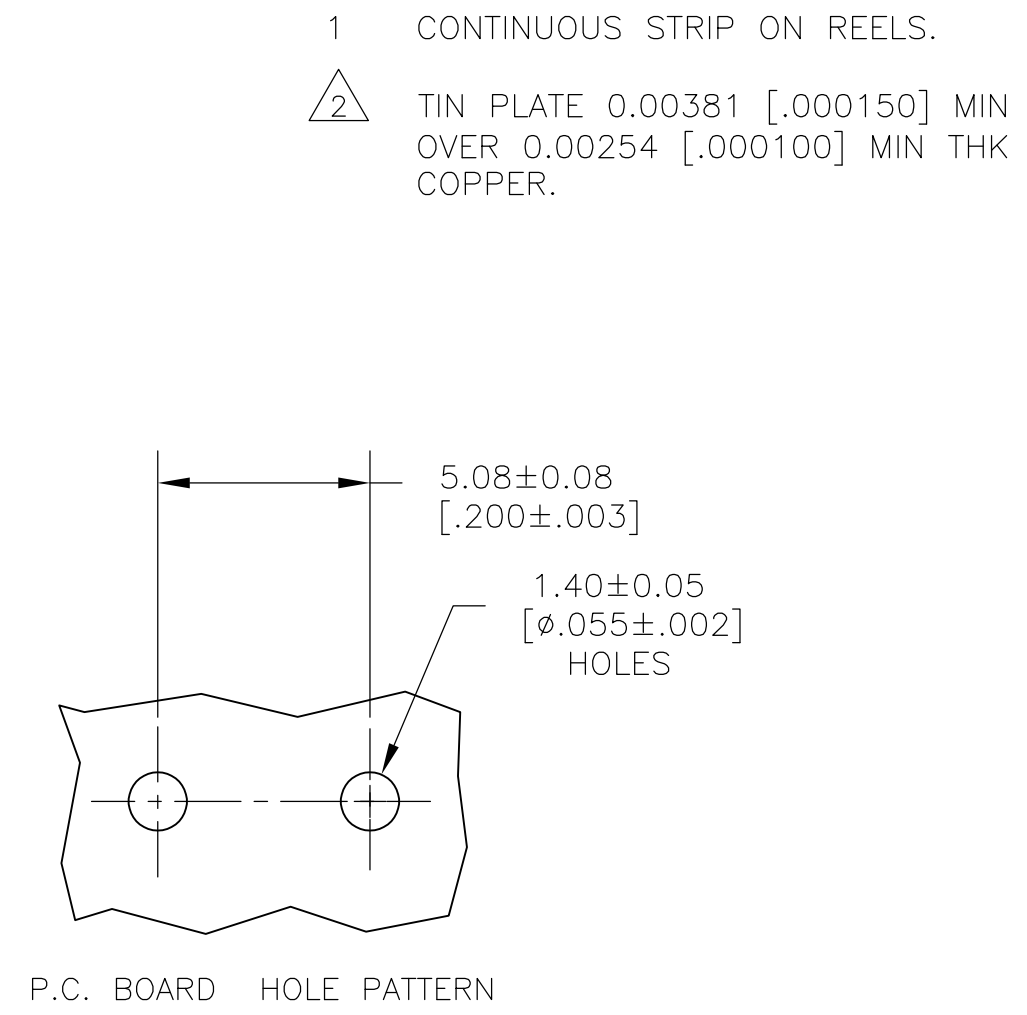
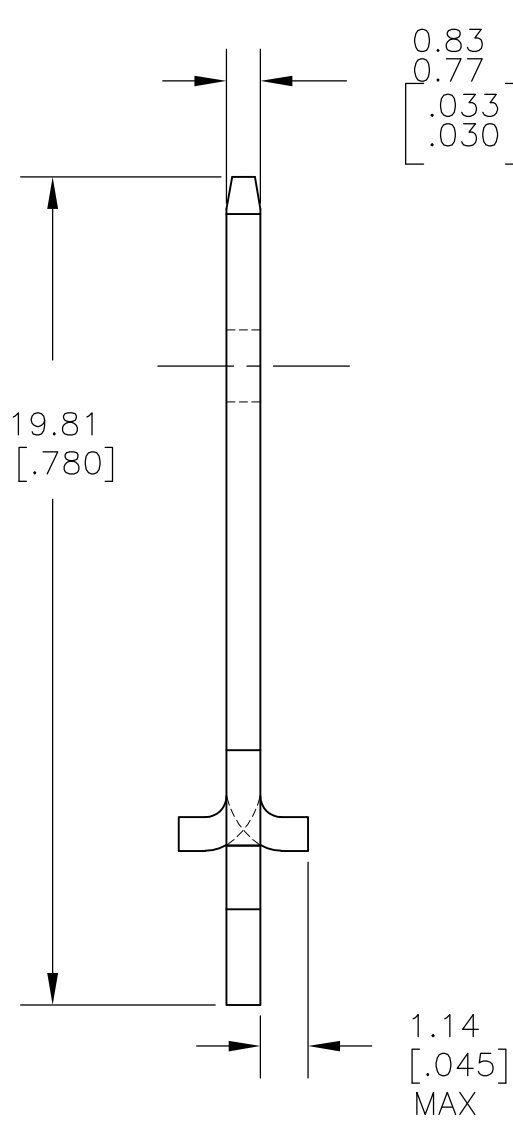
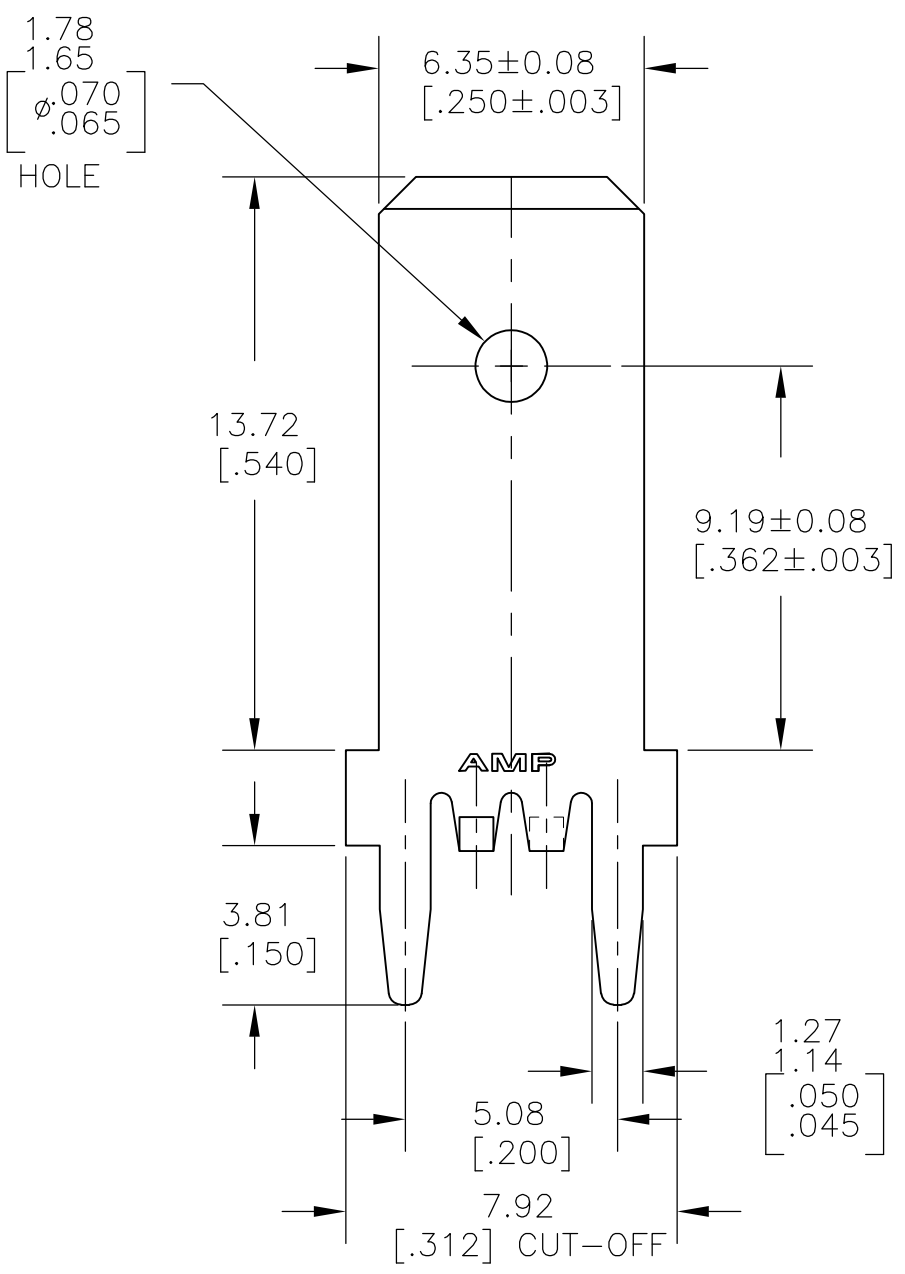


LOC	DIST	REVISIONS					
AF	50	P	LTR	DESCRIPTION	DATE	DWN	APVD
		D		REVISED PER ECR-13-001204	27JUN13	KH	PD



1217127-1
PART NO.

THIS DRAWING IS A CONTROLLED DOCUMENT.		DWN	JR RUTH	28MAR01	 TE Connectivity	NAME		TAB, FASTON, P.C.BOARD		
DIMENSIONS:		CHK	MS FEHER	28MAR01		PRODUCT SPEC		6.35 [.250]		
mm [INCHES]		APVD	N DEIBERT	28MAR01		APPLICATION SPEC		SIZE	CAGE CODE	DRAWING NO
		TOLERANCES UNLESS OTHERWISE SPECIFIED:		WEIGHT		A3		00779	C-1217127	
MATERIAL		FINISH		RESTRICTED TO		SCALE		SHEET		
BRASS				-		6:1		1 of 1		
				CUSTOMER DRAWING		REV		D		