

**SPECIFICATIONS**

Insulation Resistance:	1,000MQ min. at 100V DC
Withstanding Voltage:	250V min. 60Hz
Voltage Rating:	AC 100V
Current Rating:	1.5A max.
Contact Resistance:	20mV max. at 10mA max.
Operating Temp. Range:	-40°C to +105°C
Mating Cycles:	25 insertions

**MATERIALS AND FINISH**

Insulator:	LCP
Outer Contact:	Sn over Ni
Centre Contact:	Au over Ni

**FEATURES**

- Developed and tested for Automotive applications
- Die-cast type
- Primary and secondary locking
- 100Ω Differential Impedance controlled
- Tape and reel packaging
- RoHS2011/65/EU

**AUTOMOTIVE COMPLIANT**

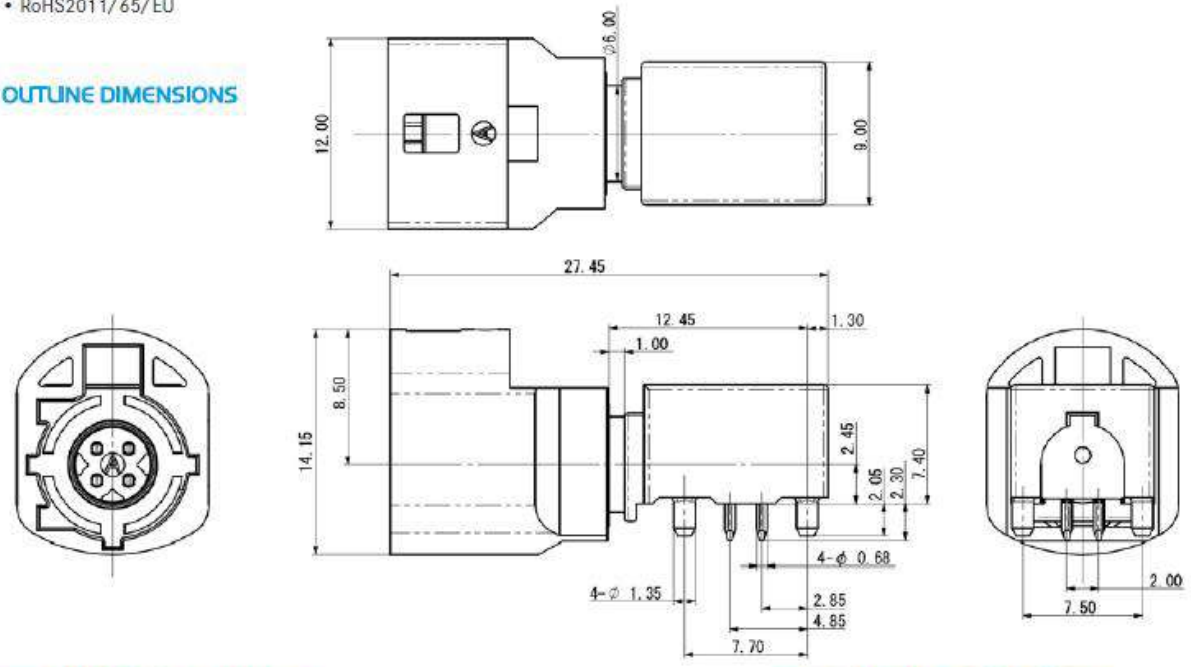
**PART NUMBER**

HF109P - 0001 - 0\*

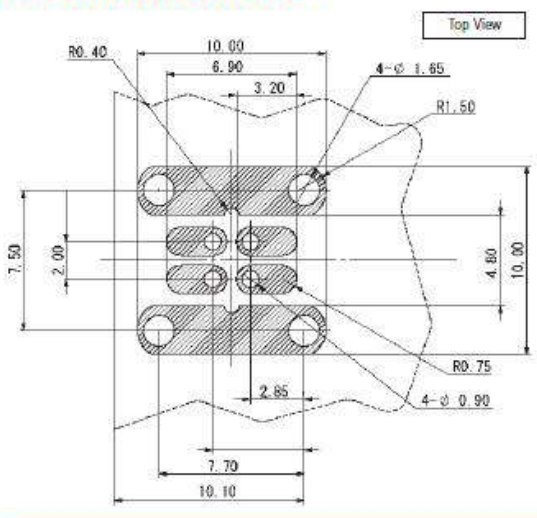
Series No.	↑
Pin Contacts: 1 Pin	↑
Colour and Housing Coding: (*see also table below)	↑
B - White	
E - Green	
F - Brown	



**OUTLINE DIMENSIONS**



**RECOMMENDED PCB LAYOUT**



**COLOUR AND HOUSING CODING**

	B
	E
	F

\* Further codings on request