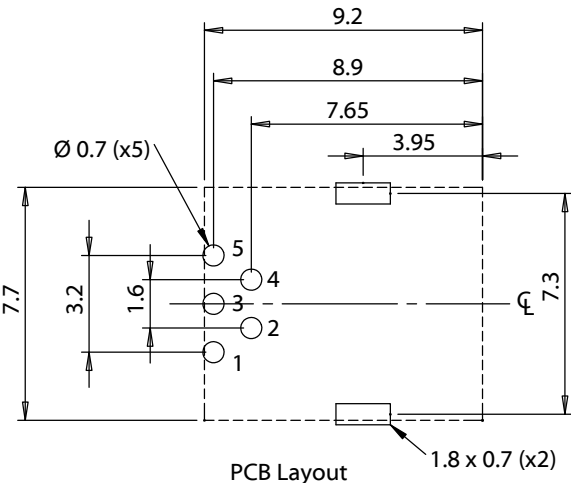
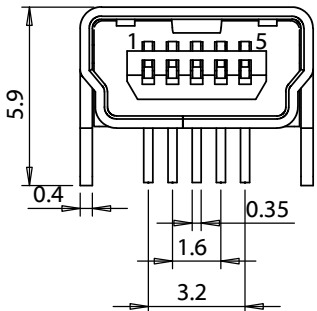
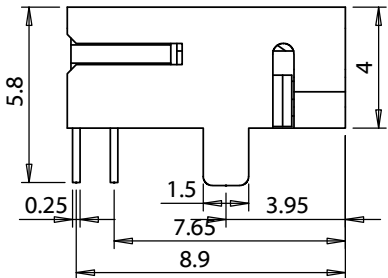
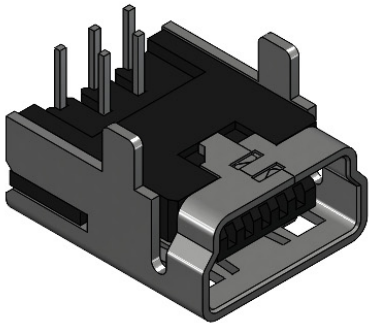
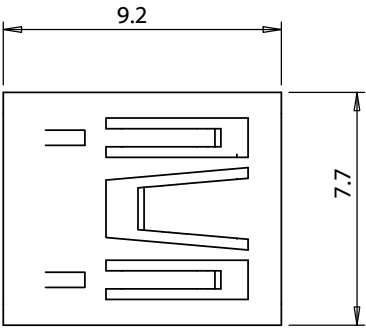


# USB mini B jack 90° PCB mount



Revision:	Date:	Description:
A	09/28/2015	Initial release
A1	07/30/2018	Corrected operating temp range

Prepared: AG  
 Digitally signed by AG  
 Date: 2021.12.16 08:32:40 -08'00'

Verified: JD  
 Digitally signed by JD  
 Date: 2021.12.16 11:28:00 -08'00'

Dimensions are in millimeters.  
 Tolerances:  
 X: ± 0.5 mm  
 X.X: ± 0.3 mm  
 X.XX: ± 0.05 mm

Notes:  
 RoHS and REACH compliant  
 Function test: no open, no short circuit, no intermittent

Description:  
 Connector, USB mini B Jack, PCB mount, 90°, nickel shell, DIP, black insulator, tube

**TENSILITY**

tel 1.541.323.3228 800 877.670.7118  
 fax 1.541.323.4202 web tensility.com

Size: A Part number: 54-00019

Scale: 4:1

Sheet 1 of 2

**Materials**

1. Shell, phosphor bronze, nickel plated
2. Pins, phosphor bronze, 5 μ" gold and tin plating
3. Insulator, Nylon 46, black

**Electrical**

Rated voltage: 30 Vdc  
 Rated current: 2 A  
 Dielectric strength: 1 min @ 500 Vac  
 Insulation resistance: 100 MΩ @ 500 Vdc  
 Contact resistance: 50 mΩ or less

**Mechanical**

Insertion force: 3.5 kgf maximum  
 Withdrawal force: 0.7 kgf minimum  
 Durability: 5000 cycle minimum life; less than 100 mΩ contact resistance, minimum 50 MΩ insulation resistance  
 Terminal strength: 0.3 kgf in any direction without damage or looseness

**Soldering**

Solderability: 75% minimum coverage when terminals dipped 2 mm in 255 ±5 °C solder bath for 3 ±0.5 seconds  
 Solder bath durability: no deformation when immersed in 260 ±5 °C up to surface of the board for 10 seconds or less  
 Solder iron durability: no deformation when exposed to 350 ±10 °C for 3 ±0.5 seconds

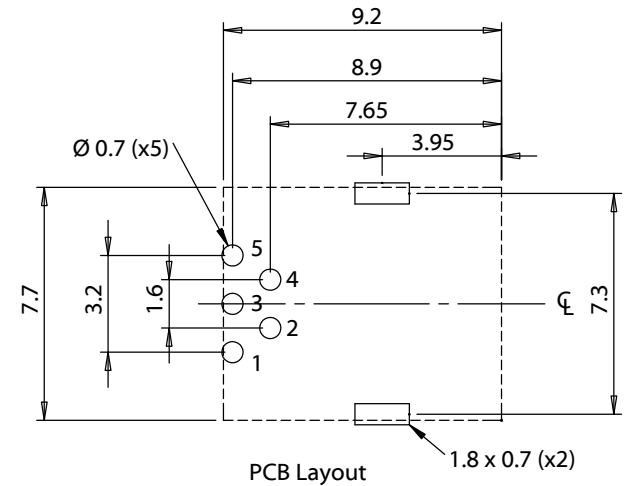
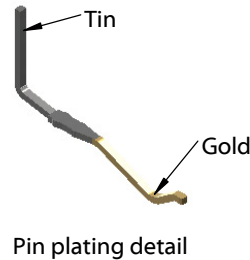
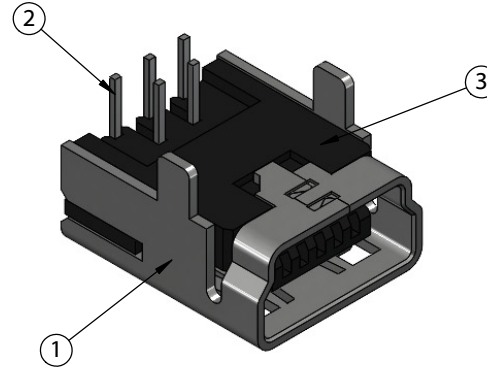
**Environmental**

Cold test: -40 ±3 °C for 48 hours without deformation  
 Heat test: 85 ±2 °C for 48 hours without deformation  
 Humidity test: 40 ±2 °C and humidity between 90 and 98 % for 48 hours without deformation

**Operating range**

-40 ~ 85 °C

# USB mini B jack 90° PCB mount



Revision:	Date:	Description:	Prepared:	Notes:	<h1>TENSILITY</h1> <p>tel 1.541.323.3228 800 877.670.7118                  fax 1.541.323.4202 web tensility.com</p>
A	09/28/2015	Initial release	AG <small>Digitally signed by AG Date: 2021.12.16 08:32:20 -08'00'</small>	RoHS and REACH compliant	
A1	07/30/2018	Corrected operating temp range	Verified: JD <small>Digitally signed by JD Date: 2021.12.16 11:44:21 -08'00'</small>	Function test: no open, no short circuit, no intermittent	Size: Part number: A 54-00019
			Dimensions are in millimeters. Tolerances: X: ± 0.5 mm X.X: ± 0.3 mm X.XX: ± 0.05 mm	Description: Connector, USB mini B Jack, PCB mount, 90°, nickel shell, DIP, black insulator, tube	Scale: 4:1