

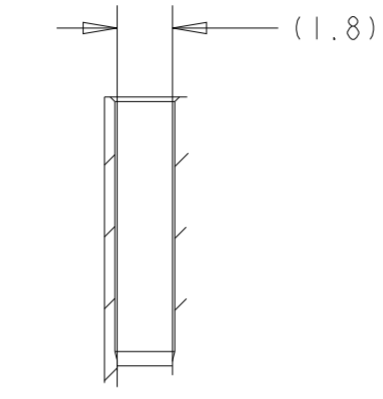
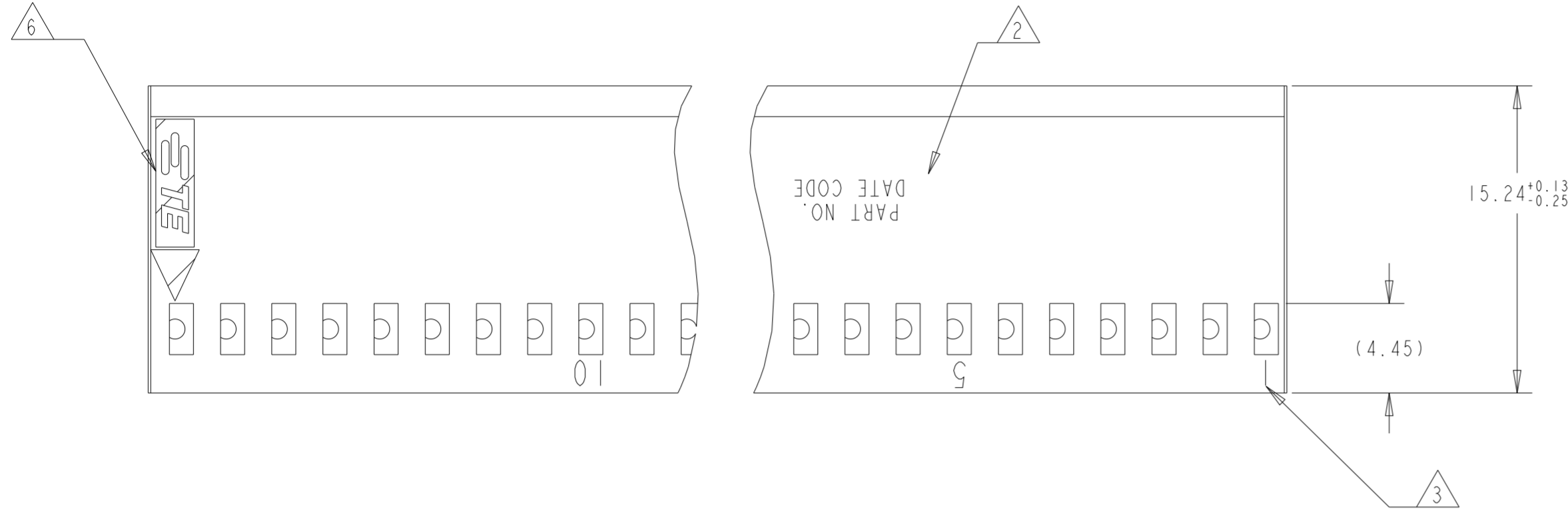
| REVISIONS | | | | | |
|-----------|-----|---------------------------|-----------|-----|------|
| P | LTR | DESCRIPTION | DATE | DWN | APVD |
| U3 | | REVISED PER ECO-11-004587 | 11MAR11 | RK | HMR |
| V | | REVISED PER ECO-18-000976 | 28MAY2018 | RS | JO |
| W | | REVISED PER ECR-22-137476 | 23AUG2022 | RK | SD |

| SUPPERSEDED BY 3-87499-4 | | - | 45.72 | 20.32 | 22.86 | 18 | 8-87499-9 |
|--------------------------|---------|-----|-------|-------|------------|-------------|-----------|
| SUPPERSEDED BY 3-87499-2 | | - | 43.18 | 20.32 | 20.32 | 17 | 8-87499-8 |
| SUPPERSEDED BY 3-87499-0 | | - | 40.64 | 17.78 | 20.32 | 16 | 8-87499-7 |
| SUPPERSEDED BY 2-87499-8 | | - | 38.10 | 17.78 | 17.78 | 15 | 8-87499-6 |
| SUPPERSEDED BY 2-87499-6 | | - | 35.56 | 15.24 | 17.78 | 14 | 8-87499-5 |
| SUPPERSEDED BY 2-87499-4 | | - | 33.02 | 15.24 | 15.24 | 13 | 8-87499-4 |
| SUPPERSEDED BY 2-87499-2 | | - | 30.48 | 12.70 | 15.24 | 12 | 8-87499-3 |
| SUPPERSEDED BY 2-87499-0 | | - | 27.94 | 12.70 | 12.70 | 11 | 8-87499-2 |
| SUPPERSEDED BY 1-87499-8 | | - | 25.40 | 10.16 | 12.70 | 10 | 8-87499-1 |
| SUPPERSEDED BY 1-87499-6 | | - | 22.86 | 10.16 | 10.16 | 9 | 8-87499-0 |
| OBSOLETE | | - | 20.32 | 7.62 | 10.16 | 8 | 7-87499-9 |
| SUPPERSEDED BY 87499-2 | | - | 17.78 | 7.62 | 7.62 | 7 | 7-87499-8 |
| SUPPERSEDED BY 1-87499-2 | | - | 15.24 | 5.08 | 7.62 | 6 | 7-87499-7 |
| SUPPERSEDED BY 1-87499-0 | | - | 12.70 | 5.08 | 5.08 | 5 | 7-87499-6 |
| SUPPERSEDED BY 87499-8 | | - | 10.16 | 2.54 | 5.08 | 4 | 7-87499-5 |
| SUPPERSEDED BY 87499-6 | | - | 7.62 | 2.54 | 2.54 | 3 | 7-87499-4 |
| SUPPERSEDED BY 87499-4 | | - | 5.08 | - | 2.54 | 2 | 7-87499-3 |
| | | - | 2.54 | - | - | 1 | 7-87499-2 |
| SUPPERSEDED BY 7-87499-2 | - | ALL | 2.54 | - | - | 1 | 7-87499-1 |
| | - | - | 91.44 | 43.18 | 45.72 | 36 | 7-87499-0 |
| | - | ALL | 91.44 | 43.18 | 45.72 | 36 | 6-87499-9 |
| | - | - | 88.90 | 43.18 | 43.18 | 35 | 6-87499-8 |
| | - | ALL | 88.90 | 43.18 | 43.18 | 35 | 6-87499-7 |
| | - | - | 86.36 | 40.64 | 43.18 | 34 | 6-87499-6 |
| | - | ALL | 86.36 | 40.64 | 43.18 | 34 | 6-87499-5 |
| | - | - | 83.82 | 40.64 | 40.64 | 33 | 6-87499-4 |
| | - | ALL | 83.82 | 40.64 | 40.64 | 33 | 6-87499-3 |
| | - | - | 81.28 | 38.10 | 40.64 | 32 | 6-87499-2 |
| | - | ALL | 81.28 | 38.10 | 40.64 | 32 | 6-87499-1 |
| | - | - | 78.74 | 38.10 | 38.10 | 31 | 6-87499-0 |
| | - | ALL | 78.74 | 38.10 | 38.10 | 31 | 5-87499-9 |
| | - | - | 76.20 | 35.56 | 38.10 | 30 | 5-87499-8 |
| | - | ALL | 76.20 | 35.56 | 38.10 | 30 | 5-87499-7 |
| | - | - | 73.66 | 35.56 | 35.56 | 29 | 5-87499-6 |
| | - | ALL | 73.66 | 35.56 | 35.56 | 29 | 5-87499-5 |
| | - | - | 71.12 | 33.02 | 35.56 | 28 | 5-87499-4 |
| | - | ALL | 71.12 | 33.02 | 35.56 | 28 | 5-87499-3 |
| | - | - | 68.58 | 33.02 | 33.02 | 27 | 5-87499-2 |
| | - | ALL | 68.58 | 33.02 | 33.02 | 27 | 5-87499-1 |
| | - | - | 66.04 | 30.48 | 33.02 | 26 | 5-87499-0 |
| | - | ALL | 66.04 | 30.48 | 33.02 | 26 | 4-87499-9 |
| | - | - | 63.50 | 30.48 | 30.48 | 25 | 4-87499-8 |
| | - | ALL | 63.50 | 30.48 | 30.48 | 25 | 4-87499-7 |
| | - | - | 60.96 | 27.94 | 30.48 | 24 | 4-87499-6 |
| NOTES | MARKING | L | B | A | NO OF POSN | PART NUMBER | |

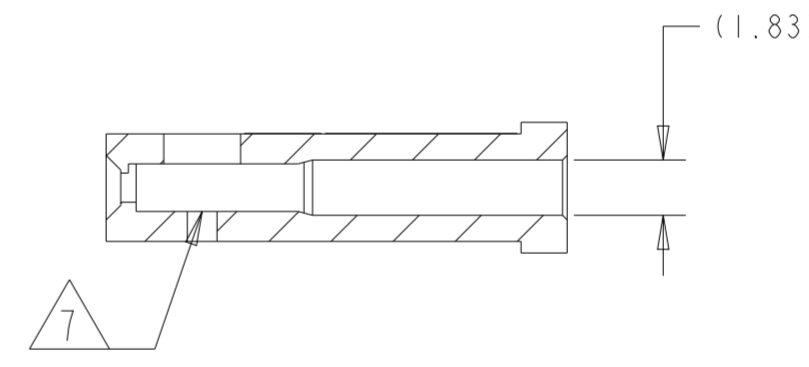
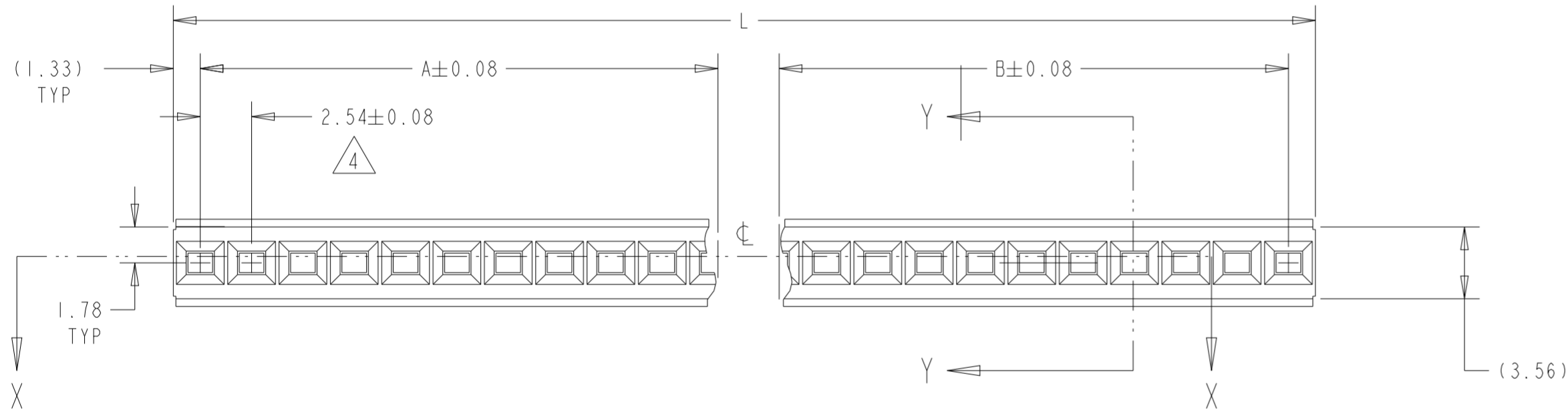
| - | ALL | 60.96 | 27.94 | 30.48 | 24 | 4-87499-5 | |
|-------|---------|-------|-------|-------|------------|-------------|--|
| - | - | 58.42 | 27.94 | 27.94 | 23 | 4-87499-4 | |
| - | ALL | 58.42 | 27.94 | 27.94 | 23 | 4-87499-3 | |
| - | - | 55.88 | 25.40 | 27.94 | 22 | 4-87499-2 | |
| - | ALL | 55.88 | 25.40 | 27.94 | 22 | 4-87499-1 | |
| - | - | 53.34 | 25.40 | 25.40 | 21 | 4-87499-0 | |
| - | ALL | 53.34 | 25.40 | 25.40 | 21 | 3-87499-9 | |
| - | - | 50.80 | 22.86 | 25.40 | 20 | 3-87499-8 | |
| - | ALL | 50.80 | 22.86 | 25.40 | 20 | 3-87499-7 | |
| - | - | 48.26 | 22.86 | 22.86 | 19 | 3-87499-6 | |
| - | ALL | 48.26 | 22.86 | 22.86 | 19 | 3-87499-5 | |
| - | - | 45.72 | 20.32 | 22.86 | 18 | 3-87499-4 | |
| - | ALL | 45.72 | 20.32 | 22.86 | 18 | 3-87499-3 | |
| - | - | 43.18 | 20.32 | 20.32 | 17 | 3-87499-2 | |
| - | ALL | 43.18 | 20.32 | 20.32 | 17 | 3-87499-1 | |
| - | - | 40.64 | 17.78 | 20.32 | 16 | 3-87499-0 | |
| - | ALL | 40.64 | 17.78 | 20.32 | 16 | 2-87499-9 | |
| - | - | 38.10 | 17.78 | 17.78 | 15 | 2-87499-8 | |
| - | ALL | 38.10 | 17.78 | 17.78 | 15 | 2-87499-7 | |
| - | - | 35.56 | 15.24 | 17.78 | 14 | 2-87499-6 | |
| - | ALL | 35.56 | 15.24 | 17.78 | 14 | 2-87499-5 | |
| - | - | 33.02 | 15.24 | 15.24 | 13 | 2-87499-4 | |
| - | ALL | 33.02 | 15.24 | 15.24 | 13 | 2-87499-3 | |
| - | - | 30.48 | 12.70 | 15.24 | 12 | 2-87499-2 | |
| - | ALL | 30.48 | 12.70 | 15.24 | 12 | 2-87499-1 | |
| - | - | 27.94 | 12.70 | 12.70 | 11 | 2-87499-0 | |
| - | ALL | 27.94 | 12.70 | 12.70 | 11 | 1-87499-9 | |
| - | - | 25.40 | 10.16 | 12.70 | 10 | 1-87499-8 | |
| - | ALL | 25.40 | 10.16 | 12.70 | 10 | 1-87499-7 | |
| - | - | 22.86 | 10.16 | 10.16 | 9 | 1-87499-6 | |
| - | ALL | 22.86 | 10.16 | 10.16 | 9 | 1-87499-5 | |
| - | - | 20.32 | 7.62 | 10.16 | 8 | 1-87499-4 | |
| - | ALL | 20.32 | 7.62 | 10.16 | 8 | 1-87499-3 | |
| - | - | 15.24 | 5.08 | 7.62 | 6 | 1-87499-2 | |
| - | ALL | 15.24 | 5.08 | 7.62 | 6 | 1-87499-1 | |
| - | - | 12.70 | 5.08 | 5.08 | 5 | 1-87499-0 | |
| - | ALL | 12.70 | 5.08 | 5.08 | 5 | 87499-9 | |
| - | - | 10.16 | 2.54 | 5.08 | 4 | 87499-8 | |
| - | ALL | 10.16 | 2.54 | 5.08 | 4 | 87499-7 | |
| - | - | 7.62 | 2.54 | 2.54 | 3 | 87499-6 | |
| - | ALL | 7.62 | 2.54 | 2.54 | 3 | 87499-5 | |
| - | - | 5.08 | - | 2.54 | 2 | 87499-4 | |
| - | ALL | 5.08 | - | 2.54 | 2 | 87499-3 | |
| - | - | 17.78 | 7.62 | 7.62 | 7 | 87499-2 | |
| - | ALL | 17.78 | 7.62 | 7.62 | 7 | 87499-1 | |
| NOTES | MARKING | L | B | A | NO OF POSN | PART NUMBER | |

| | | | | |
|--|--|---|-----------------|---|
| THIS DRAWING IS A CONTROLLED DOCUMENT. | | DWN E. BRANDBERG 21-JUN-95 | TE Connectivity | |
| | | CHK S. SHUEY 21-JUN-95 | | |
| DIMENSIONS: mm | | TOLERANCES UNLESS OTHERWISE SPECIFIED: | | NAME HOUSING, MOD IV, SINGLE ROW, .100 CL, CRIMP SNAP-IN |
| | | 0 PLC ± 1 PLC ± 2 PLC ±0.13[.005] 3 PLC ± 4 PLC ± ANGLES ± FINISH - | | |
| MATERIAL | | APVD D. DUPLER 21-JUN-95 | PRODUCT SPEC | SIZE |
| | | APPLICATION SPEC | | CAGE CODE |
| | | WEIGHT | | DRAWING NO |
| CUSTOMER DRAWING | | | | RESTRICTED TO |
| | | SCALE 4:1 | SHEET 1 OF 2 | REV W |

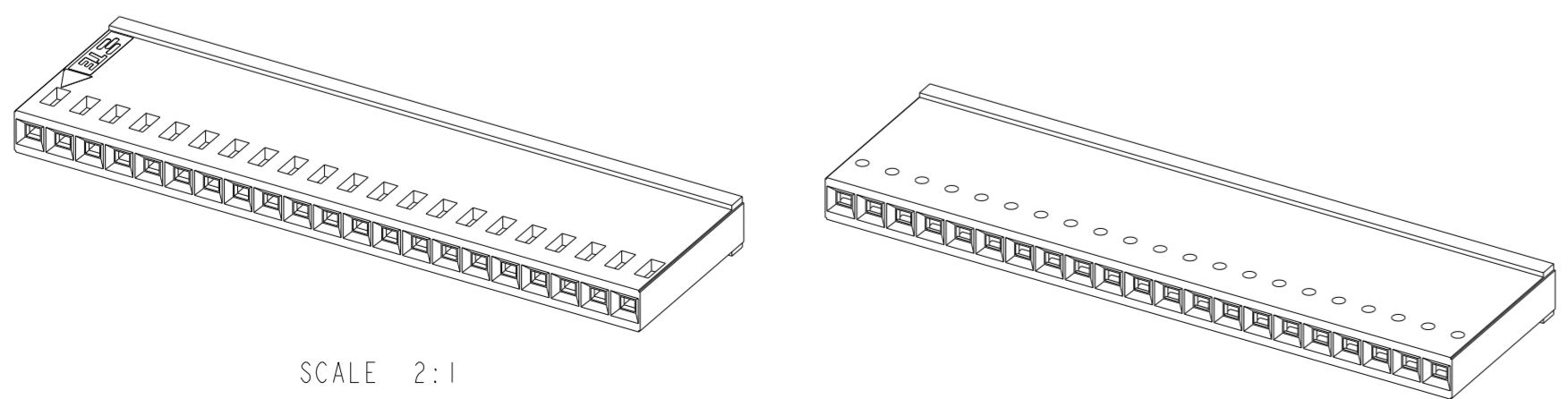
| P | LTR | DESCRIPTION | DATE | DWN | APVD |
|---|-----|-------------|------|-----|------|
| - | - | SEE SHEET 1 | - | - | - |
| | | | | | |
| | | | | | |



- 1 GLASS FILLED THERMOPLASTIC, UL 94-V0 RATED, COLOR:BLACK
- 2 PART NO. AND DATE CODE MARKED IN APPROX. AREA SHOWN WHEN HOUSING SIZE PERMITS.
- 3 CAVITY INDENTS, MARKED FIRST AND EVERY FIFTH CAVITY (ONE SIDE) AS SHOWN
- 4 TOLERANCE NON-CUMULATIVE.
- 5. USE EXTRACTION TOOL 91052-1 TO REMOVE RECEPTACLE CONTACTS.
- 6 TE LOGO MOLDED IN TEXTURED AREA AS SHOWN.
- 7 FLASH ALLOWED TO BE 0.38 IN THIS AREA.
- 8 OBOLETE PARTS: OBOLETE CIS STREAMLINING PER D.RENAUD/D.SINISI
- 9. THE PRODUCT IS IN PROCESS FOR UL RECOGNITION.
- 10. THE PRODUCT IS NOT YET QUALIFIED AND IS IN PROCESS.



SECTION Y-Y



| | | | |
|--|----------|----------------------------------|---|
| THIS DRAWING IS A CONTROLLED DOCUMENT. | | DWN E. BRANDBERG 21-JUN-95 | TE Connectivity |
| DIMENSIONS: mm | | CHK S. SHUEY 21-JUN-95 | |
| TOLERANCES UNLESS OTHERWISE SPECIFIED: | | APVD D. DUPLER 21-JUN-95 | NAME HOUSING, MOD IV, SINGLE ROW, .100 CL, CRIMP SNAP-IN |
| 0 PLC ± | 1 PLC ± | PRODUCT SPEC | SIZE |
| 2 PLC ±0.13(.005) | 3 PLC ± | APPLICATION SPEC | CAGE CODE |
| 4 PLC ± | ANGLES ± | FINISH | DRAWING NO |
| MATERIAL | FINISH | WEIGHT | RESTRICTED TO |
| - | - | - | A2 00779 C-87499 |
| CUSTOMER DRAWING | | SCALE 4:1 | SHEET 2 OF 2 |
| | | | REV W |