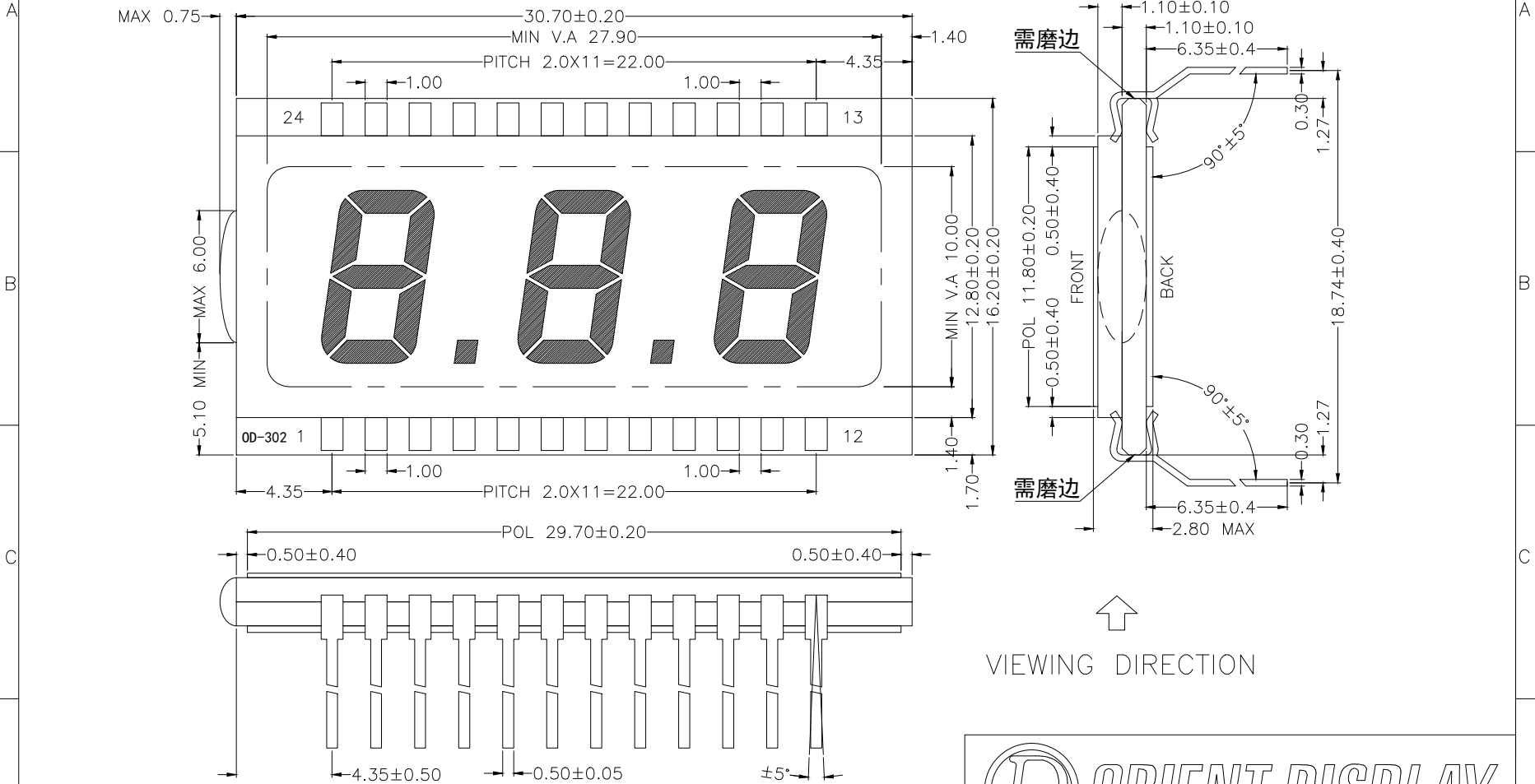


THIS DRAWING IS PROPERTY OF ORIENT DISPLAY. ALL RIGHTS RESERVED.

ITEM	PARAMETERS	ITEM	PARAMETERS	ITEM	PARAMETERS	ITEM	PARAMETERS
DISPLAY TYPE	TN, POSITIVE	VIEWING DIRECTION	6.0° CLOCK	LCD OPERATING VOLTAGE	5.0V	IC	--
DRIVING METHOD	STATIC	OPERATION TEMPERATURE	-20°C TO 70°C	LOGIC VOLTAGE(VDD)	--	BACKLIGHT	/
POLARIZER TYPE	TRANSFLECTIVE	STORAGE TEMPERATURE	-30°C TO 80°C	SURFACE LUMINANCE	--	CONNECTOR	PIN

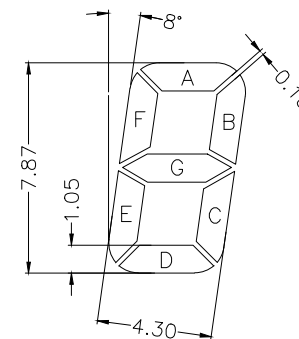
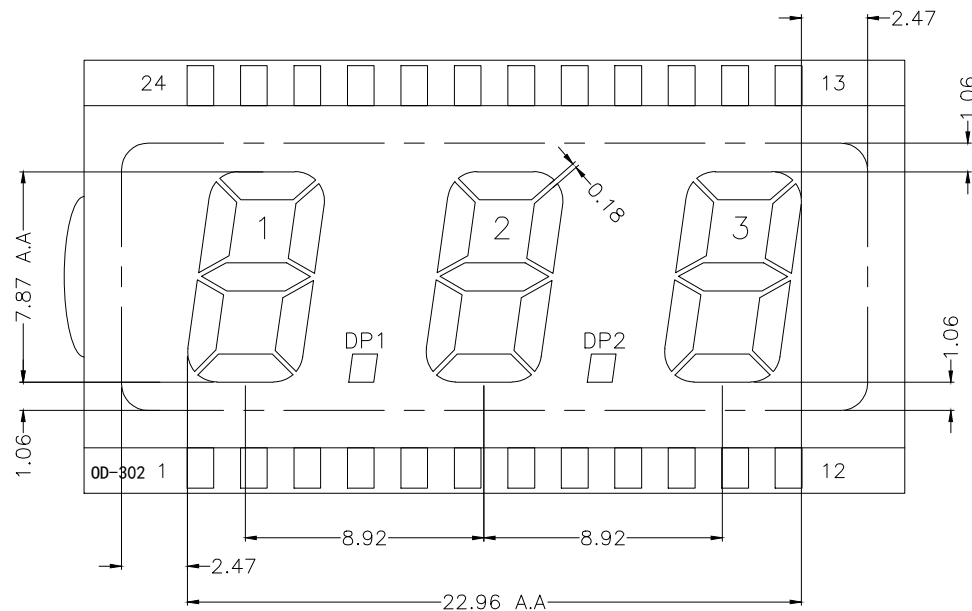


TITLE	LCD	PART NO.	OD-302
REV.	1	CUSTOMER NO.	OD-302
SCALE	FIT	UNIT	mm
ROHS/REACH COMPLIANT	YES	CUSTOMER'S APPROVAL	
UNMARKED TOLERANCE	$\pm 0.2$		

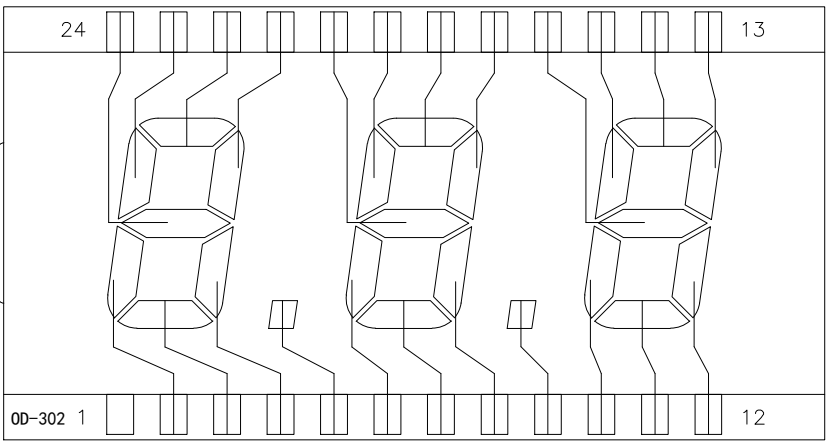
01	改PITCH及封口尺寸	February-15
REV.	SYMBOL DESCRIPTION	DATE

PIN	1	2	3	4	5	6	7	8	9	10	11	12
COM	COM	E1	D1	C1	DP1	E2	D2	C2	DP2	E3	D3	C3

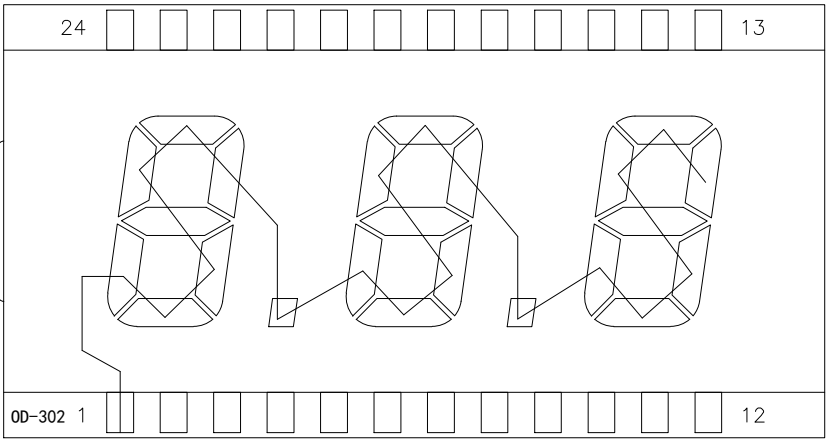
PIN	13	14	15	16	17	18	19	20	21	22	23	24
COM	B3	A3	F3	G3	B2	A2	F2	G2	B1	A1	F1	G1



TITLE	LCD	PART NO.	OD-302
REV.	1	CUSTOMER NO.	OD-302
SCALE	FIT	UNIT	mm
ROHS/REACH COMPLIANT	YES	3rd ANGLE	$\oplus$ $\equiv$ SHEET 2 of 3
UNMARKED TOLERANCE	$\pm 0.2$	CUSTOMER'S APPROVAL	

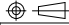


SEG



COM



<b>TITLE</b>	<b>LCD</b>	<b>PART NO.</b>	<b>OD-302</b>
<b>REV.</b>	<b>1</b>	<b>CUSTOMER NO.</b>	<b>OD-302</b>
<b>SCALE</b>	<b>FIT</b>	<b>UNIT</b>	<b>mm</b>
<b>ROHS/REACH COMPLIANT</b>	<b>YES</b>	<b>3rd ANGLE</b>	 <b>SHEET 3 of 3</b>
<b>UNMARKED TOLERANCE</b>	<b>±0.2</b>	<b>CUSTOMER'S APPROVAL</b>	