

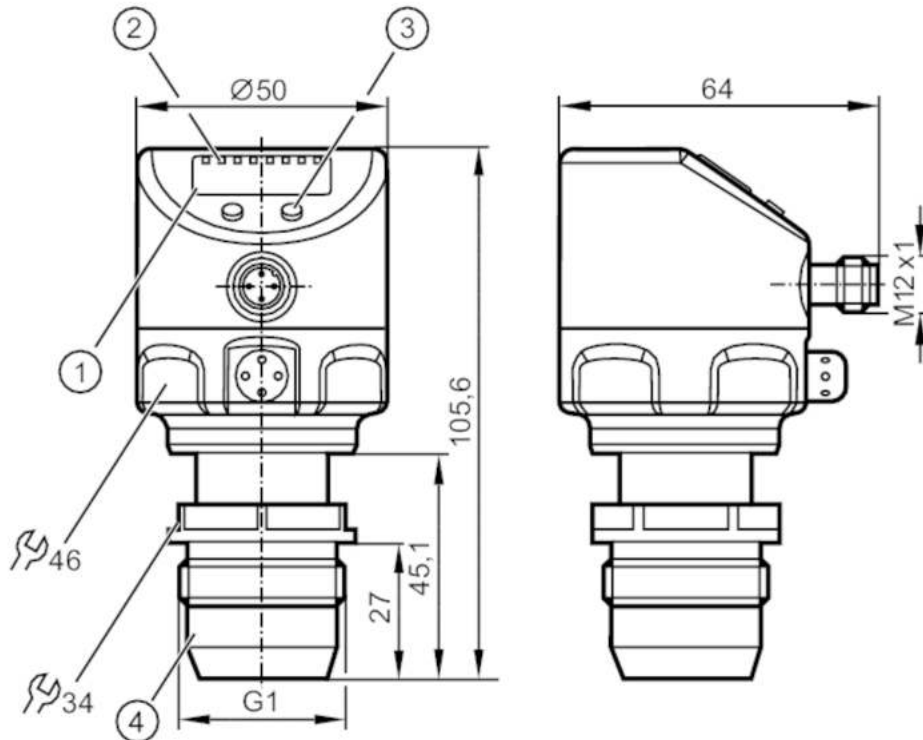


## Flush pressure sensor with display

PI-025-REA01-MFRKG/US/ IP

Alternative articles: PI1803

When selecting an alternative article and accessories please note that technical data may differ!



- 1 alphanumeric display 4-digit
- 2 status LEDs
- 3 programming button
- 4 G 1 sealing cone external thread

Attention: The unit must only be installed in a process connection for G1 sealing cone. The G1A sealing cone of the unit is only suited for adapters with metal end stop.

ACS CE CRN c UL LISTED US EC 1935/2004 EHEDG Tested FCM FDA IO-Link UK CA

### Product characteristics

Number of inputs and outputs	Number of digital outputs: 2; Number of analogue outputs: 1		
Measuring range	-1...25 bar	-14.4...362.7 psi	-0.1...2.5 MPa
Process connection	threaded connection G 1 external thread sealing cone Attention: The unit must only be installed in a process connection for G1 sealing cone.; The G1A sealing cone of the unit is only suited for adapters with metal end stop.		

### Application

Special feature	Gold-plated contacts		
Application	flush mountable for the food and beverage industry		
Media	viscous media and liquids with suspended particles; liquids and gases		
Medium temperature [°C]	-25...125; (145 max. 1h)		
Min. bursting pressure	350 bar	5075 psi	35 MPa
Pressure rating	100 bar	1450 psi	10 MPa
Vacuum resistance [mbar]	-1000		
Type of pressure	relative pressure; vacuum		



## Flush pressure sensor with display

PI-025-REA01-MFRKG/US/ IP

MAWP (for applications according to CRN)	[bar]	60
--	-------	----

### Electrical data

Min. insulation resistance	[MΩ]	100; (500 V DC)
Protection class		III
Reverse polarity protection		yes
Integrated watchdog		yes

### 2-wire

Operating voltage	[V]	20...32 DC
Current consumption	[mA]	3.6...21
Power-on delay time	[s]	1

### 3-wire

Operating voltage	[V]	18...32 DC
Current consumption	[mA]	< 45
Power-on delay time	[s]	0.5

### Inputs / outputs

Number of inputs and outputs	Number of digital outputs: 2; Number of analogue outputs: 1	
------------------------------	---	--

### Outputs

Total number of outputs	2	
Output signal	switching signal; analogue signal; IO-Link; (configurable)	
Electrical design	PNP/NPN	
Number of digital outputs	2	
Output function	normally open / normally closed; (parameterisable)	
Number of analogue outputs	1	
Analogue current output	[mA]	4...20, invertible; (scalable)
Short-circuit protection	yes	
Type of short-circuit protection	pulsed	
Overload protection	yes	

### 2-wire

Max. load	[Ω]	300
-----------	-----	-----

### 3-wire

Max. voltage drop switching output DC	[V]	2
Permanent current rating of switching output DC	[mA]	250
Switching frequency DC	[Hz]	125
Max. load	[Ω]	(U <sub>b</sub> - 10 V) / 20 mA

### Measuring/setting range

Measuring range	-1...25 bar	-14.4...362.7 psi	-0.1...2.5 MPa
Set point SP	-0.96...25 bar	-13.8...362.7 psi	-0.096...2.5 MPa
Reset point rP	-1...24.96 bar	-14.4...362.1 psi	-0.1...2.496 MPa
Analogue start point	-1...18.74 bar	-14.4...271.8 psi	-0.1...1.874 MPa
Analogue end point	5.24...25 bar	76.2...362.7 psi	0.524...2.5 MPa
In steps of	0.02 bar	0.3 psi	0.002 MPa



## Flush pressure sensor with display

PI-025-REA01-MFRKG/US/ IP

Factory setting	SP1 = 6.24 bar	rP1 = 5.74 bar
	SP2 = 18.74 bar	rP2 = 18.24 bar
	ASP = 0.00 bar	AEP = 25.00 bar

### Accuracy / deviations

Switch point accuracy [% of the span]	< ± 0,2; (Turn down 1:1)
Repeatability [% of the span]	< ± 0,1; (with temperature fluctuations < 10 K; Turn down 1:1)
Characteristics deviation [% of the span]	< ± 0,2; (Turn down 1:1 , linearity, incl. hysteresis and repeatability , limit value setting to DIN EN IEC 62828-1)
Linearity deviation [% of the span]	< ± 0,15; (Turn down 1:1)
Hysteresis deviation [% of the span]	< ± 0,15; (Turn down 1:1)
Long-term stability [% of the span]	< ± 0,1; (Turn down 1:1; per year)
Temperature coefficient zero point [% of the span / 10 K]	< ± 0,05; (0...70 °C)
Temperature coefficient span [% of the span / 10 K]	< ± 0,15; (0...70 °C)

### Response times

Damping process value dAP [s]	0...30
Damping for the analogue output dAA [s]	0.01...99.99
<b>2-wire</b>	
Step response time analogue output [ms]	45
<b>3-wire</b>	
Min. response time of switching output (dAP) [ms]	3
Step response time analogue output [ms]	7

### Interfaces

Communication interface	IO-Link	
Transmission type	COM2 (38,4 kBaud)	
IO-Link revision	1.0	
Profiles	no profile	
SIO mode	yes	
Required master port type	A	
Process data analogue	1	
Process data binary	2	
Min. process cycle time [ms]	2.3	
Supported DeviceIDs	Type of operation	DeviceID
	Default	156

### Operating conditions

Ambient temperature [°C]	-25...80
Storage temperature [°C]	-40...100

# PI2893



## Flush pressure sensor with display

PI-025-REA01-MFRKG/US/ IP

Protection	IP 67; IP 68; IP 69K
------------	----------------------

### Tests / approvals

EMC	EN 61000-4-2 ESD	4 kV CD / 8 kV AD
	EN 61000-4-3 HF radiated	10 V/m
	EN 61000-4-4 Burst	2 kV
	EN 61000-4-5 Surge	0,5/1 kV
	EN 61000-4-6 HF conducted	10 V
Shock resistance	DIN IEC 68-2-27	50 g (11 ms)
Vibration resistance	DIN IEC 68-2-6	20 g (10...2000 Hz)
MTTF [years]	148.85	
Note on approval	factory certificate available as download at <a href="http://www.factory-certificate.ifm">www.factory-certificate.ifm</a>	

### Mechanical data

Weight [g]	378
Materials	stainless steel (1.4404 / 316L); FKM; PTFE; PBT; PEI; PFA
Materials (wetted parts)	ceramics (99.9 % Al <sub>2</sub> O <sub>3</sub> ); stainless steel (1.4435 / 316L); surface characteristics: Ra < 0,4 / Rz 4; PTFE
Min. pressure cycles	100 million
Process connection	threaded connection G 1 external thread sealing cone Attention: The unit must only be installed in a process connection for G1 sealing cone.; The G1A sealing cone of the unit is only suited for adapters with metal end stop.

### Displays / operating elements

Display	Display unit	LED, green
	switching status	LED, yellow
	function display	alphanumeric display, 4-digit
	measured values	alphanumeric display, 4-digit
Display unit	bar; psi; MPa; % of the span	

### Remarks

Pack quantity	1 pcs.
---------------	--------

### Electrical connection

Connector: 1 x M12; coding: A; Contacts: gold-plated

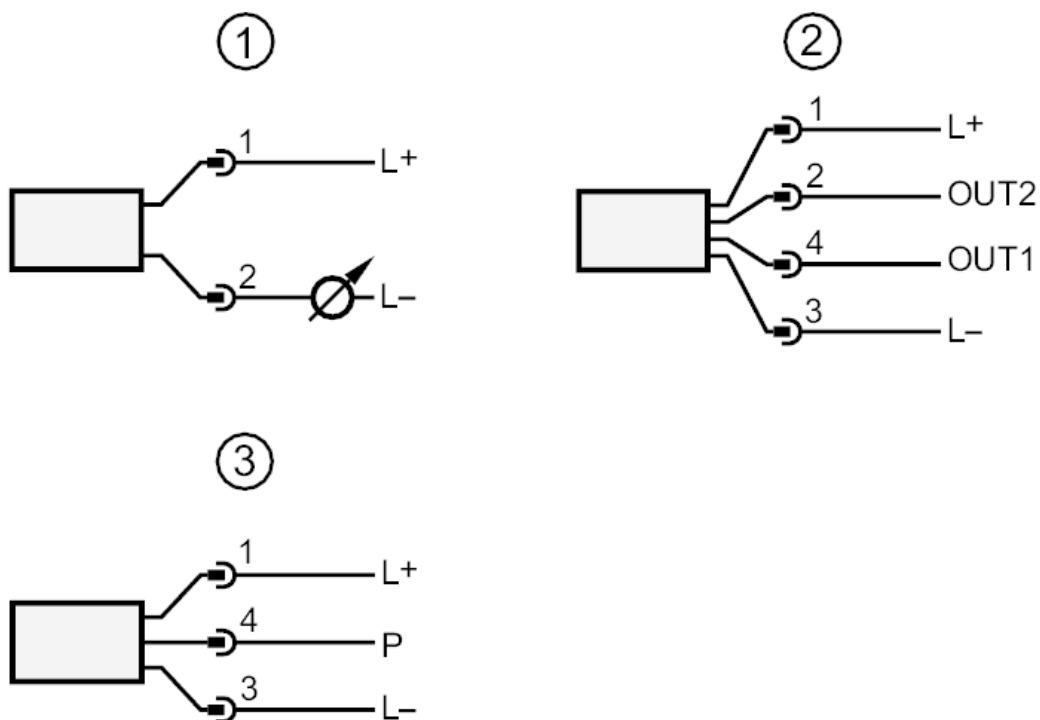




## Flush pressure sensor with display

PI-025-REA01-MFRKG/US/ IP

### Connection



- 1 connection for 2-wire operation
- 2 connection for 3-wire operation :
- OUT1 switching output
- OUT2 switching output
- analogue output
- 3 connection for IO-Link parameter setting (P = communication via IO-Link)