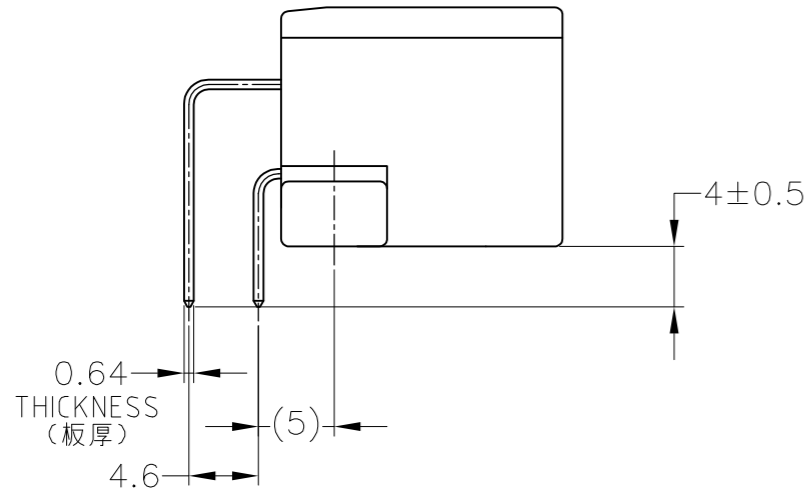
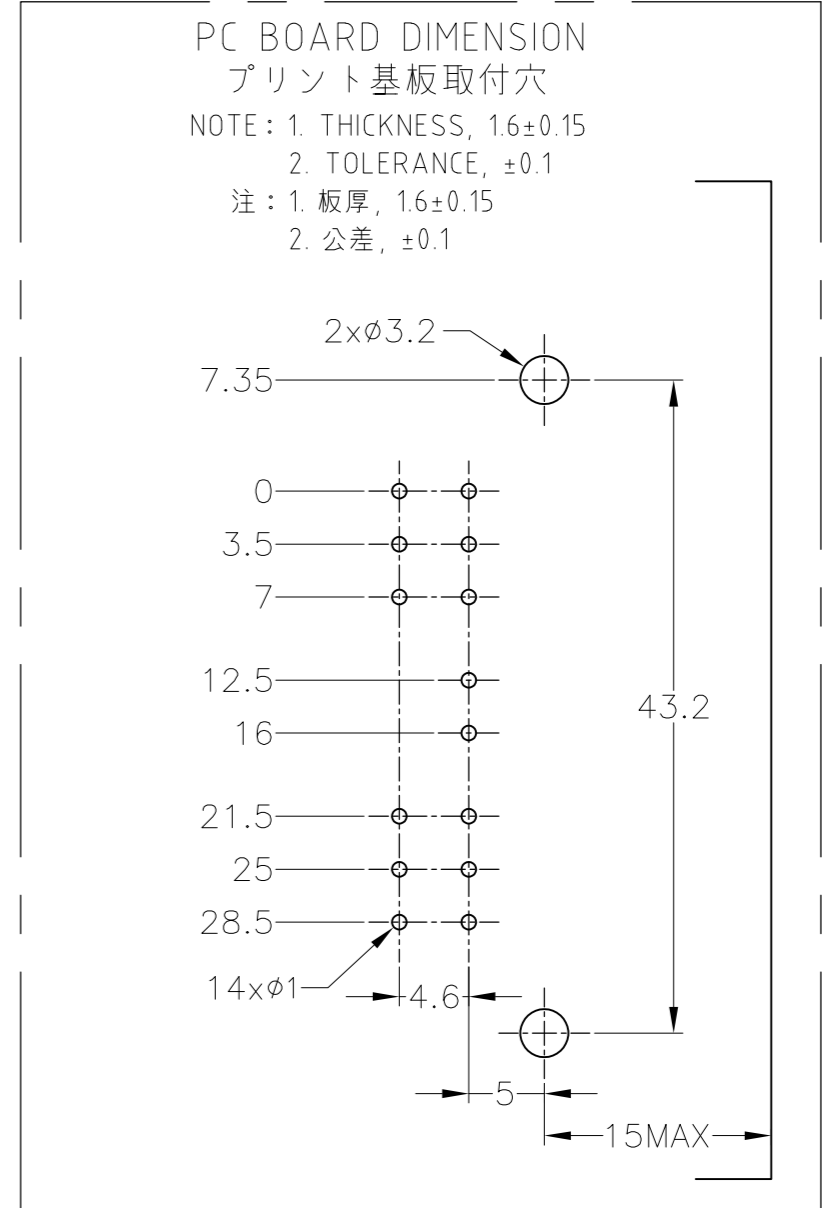
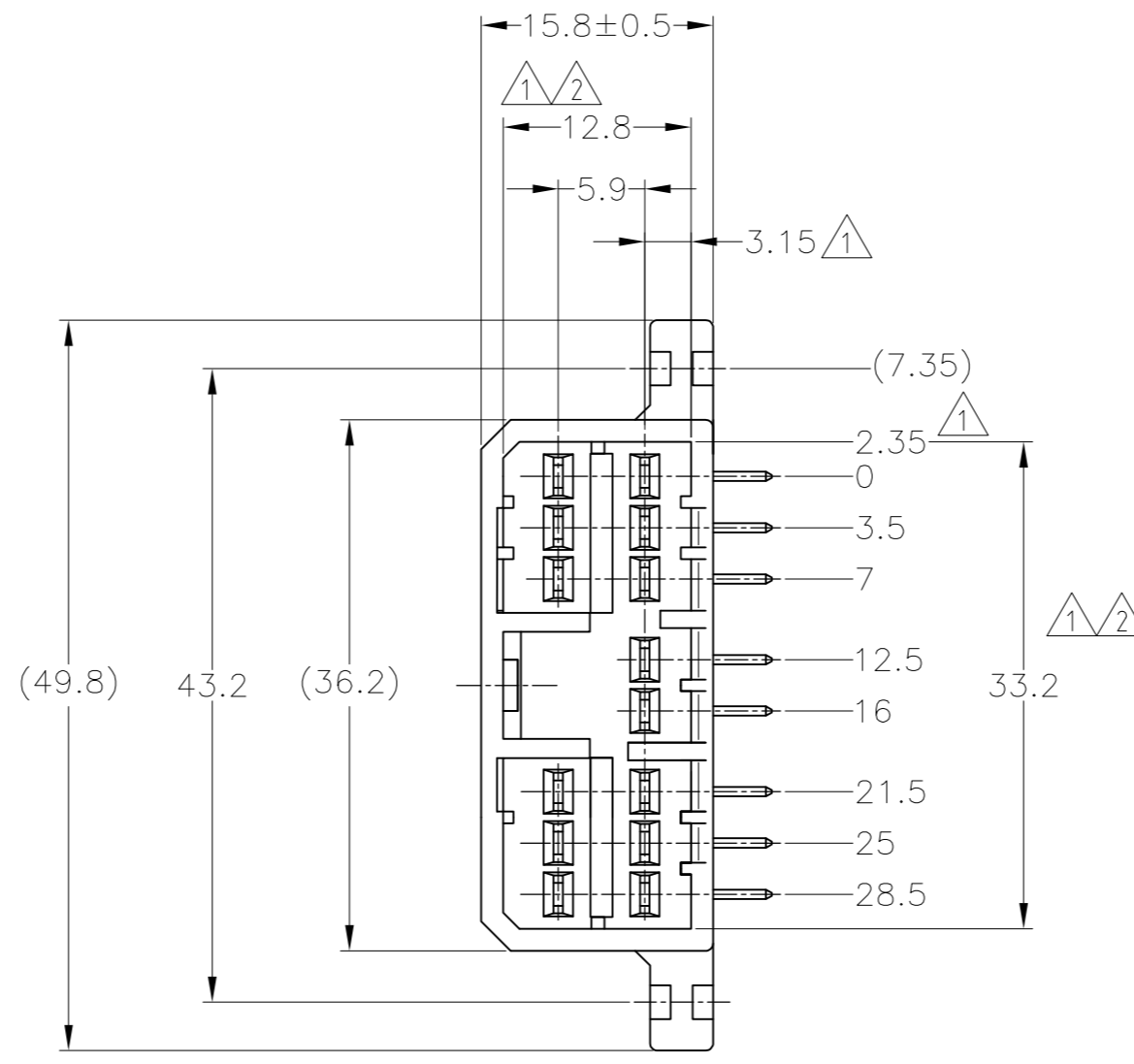
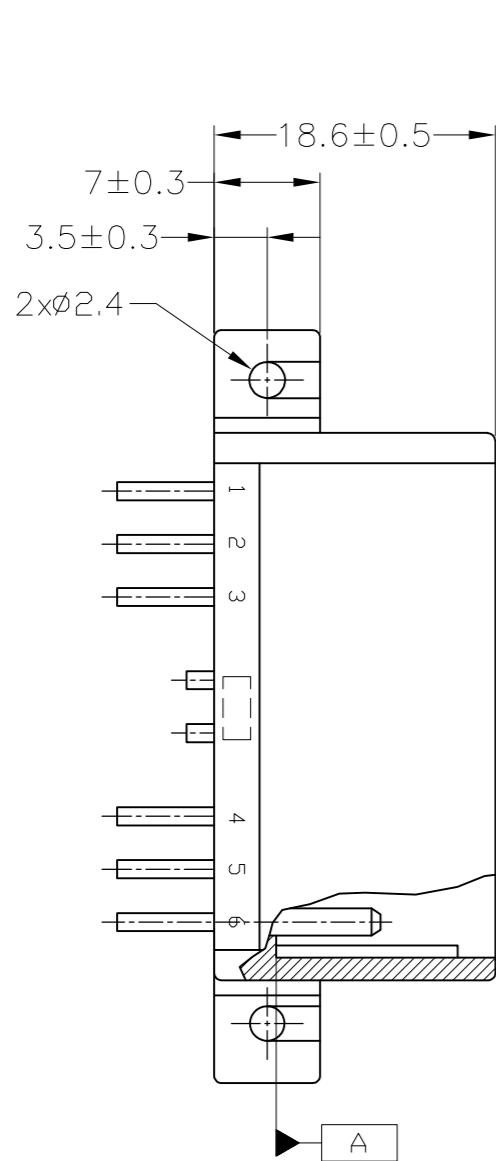


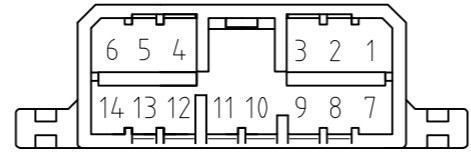
THIS DRAWING IS UNPUBLISHED. RELEASED FOR PUBLICATION  
 © COPYRIGHT - By - ALL RIGHTS RESERVED.

LOC	DIST	REVISED				DATE	DWN	APVD
		P	LTR	DESCRIPTION				
J	-	J3	REVISED	ECR-15-006110	23APR15	KF	RK	



- △ A 面より2mmの範囲で測定。
- △ 相手ハウジングと所定の機能を満足して嵌合できること。
- 3. プリント基板への取付は、JIS B1115又は1122, M3×6ナブ (2種又は4種) のタッピンネジで締付けた後ハンダ付する。(締付けトルク4kg-cm以下)
- △ 回路番号: 下図参照のこと。

- △ TO BE MEASURED BETWEEN [A] AND 2.
- △ TO BE MATE WITH PLUG HSG SMOOTHLY.
- 3. TO BE USE M3 TAPPING SCREW JIS B1115 OR 1122 (TYPE 2 OR 4) BEFORE SOLDER.
- △ CIRCUIT NUMBER.



TOLERANCES UNLESS OTHERWISE SPECIFIED.  
 一般公差

10±	±0.2
30±	±0.25
100±	±0.3
ANGLE	±3°

HB	SELECTIVE-TIN (MATTE)	SELECTIVE GOLD × 14	1~14 (全極)	-	GREEN 緑色	2-5173860-4		
HB	SELECTIVE-TIN (MATTE)	SELECTIVE GOLD × 14	1~14 (全極)	-	NATURAL 自然色	2-5173860-1		
V-2	PRE-TIN × 14		-	1~14 (全極)	NATURAL 自然色	9-173860-1		
HB	SELECTIVE-TIN	PRE-TIN × 14	-	1~14 (全極)	NATURAL 自然色	7-173860-1		
HB	SELECTIVE-TIN	PRE-TIN × 14	-	1~14 (全極)	GREEN 緑色	3-173860-1		
HB	TIN-LEAD	SELECTIVE GOLD × 14	1~14 (全極)	-	GREEN 緑色	2-173860-4		
HB	TIN-LEAD	SELECTIVE GOLD × 14	1~14 (全極)	-	NATURAL 自然色	2-173860-1		
HB	PRE-TIN × 14		-	1~14 (全極)	BLUE 青色	173860-5		
HB	PRE-TIN × 14		-	1~14 (全極)	GRAY 灰色	173860-6		
HB	PRE-TIN × 14		-	1~14 (全極)	GREEN 緑色	173860-4		
HB	PRE-TIN × 14		-	1~14 (全極)	NATURAL 自然色	173860-1		
USED MATERIAL FLAMMABILITY	SOLDERING SIDE 半田付け面	CONTACT SIDE 接触部側	CONTACT FINISH コンタクト仕上		GOLD PLATED CIRCUIT NO. 金めっき回路番号	PRE-TIN CIRCUIT NO. 鉛めっき回路番号	COLOR 色	PART NUMBER 製品型番

THIS DRAWING IS A CONTROLLED DOCUMENT.

DIMENSIONS: 単位: 寸 mm

TOLERANCES UNLESS OTHERWISE SPECIFIED: 一般公差

0 PLC ±  
 1 PLC ±  
 2 PLC ±  
 3 PLC ±  
 4 PLC ±  
 ANGLES ±

MATERIAL 材料: HOUSING: PBT CONTACT: BRASS

FINISH 仕上: SEE TABLE

DWN: S.FUJITA 10DEC08  
 CHK: K.BETSUI 10DEC08  
 APVD: K.BETSUI 10DEC08

NAME 名称: 070 SERIES MULTI-LOCK I/O CONNECTOR 14POSITION CAP HOUSING ASSEMBLY (H-TYPE)

PRODUCT SPEC: 製品規格: 108-5216

APPLICATION SPEC: 取付適用規格

WEIGHT: -

SIZE: A2 CAGE CODE: 00779 DRAWING NO. 番号: C=173860

RESTRICTED TO: -

CUSTOMER DRAWING

SCALE: 2:1 SHEET: 1 OF 1 REV: J3