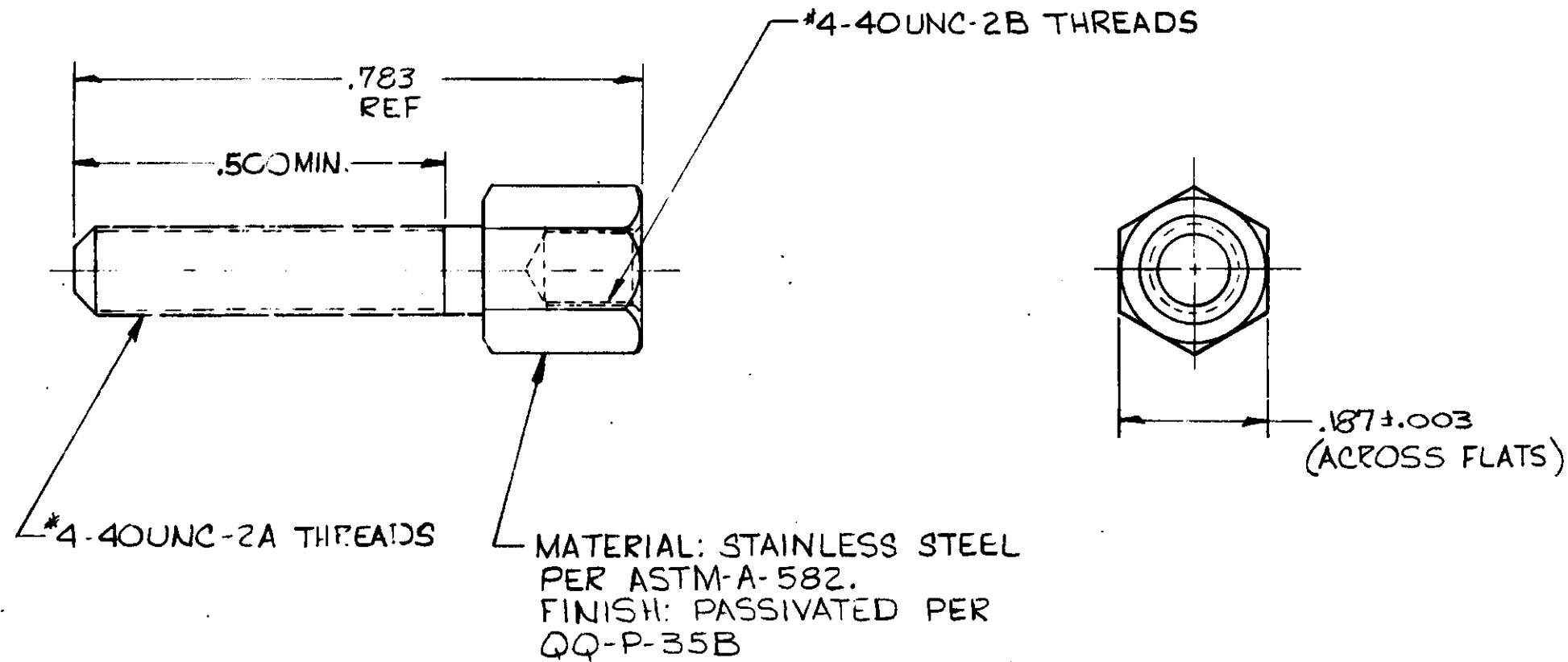


THIS DRAWING IS UNPUBLISHED. RELEASED FOR PUBLICATION, 19  
 © COPYRIGHT 19 BY AMP INCORPORATED, HARRISBURG, PA. ALL INTERNATIONAL RIGHTS RESERVED. AMP PRODUCTS MAY BE COVERED BY U.S. AND FOREIGN PATENTS AND/OR PATENTS PENDING.

REVISIONS					DATE	APPROVED
P	F	ZONE	LTR	DESCRIPTION		
/	/		R	ECO-10-010402	PY 6-10	RL



MATERIAL: STAINLESS STEEL  
 PER ASTM-A-582.  
 FINISH: PASSIVATED PER  
 QQ-P-35B

UNLESS OTHERWISE SPECIFIED DIMENSIONS ARE IN INCHES. TOLERANCES ON: DECIMALS ± .001 ANGLES ± .5°		CONTRACT NO		AS SHOWN		212452-1	
MATERIAL SEE CALLOUTS		DR 0-27-84 R. G. [Signature]		DESCRIPTION		PART NO	
FINISH SEE CALLOUTS		CHK 2-28-84 [Signature]		AMP		AMP INCORPORATED Harrisburg, Pa.	
		APPD 2-29-84 [Signature]		NAME SCREWLOCK, FEMALE, AMPLIMITE, NON-MAG.			
		DSC & APPD 3/4/84		SIZE B	FSCM NO 00779	DRAWING NO 212452	REV R
		OTHER APPD		SCALE NTS	SHEET 1 OF 1		