

Panel Mount Fuse Holder

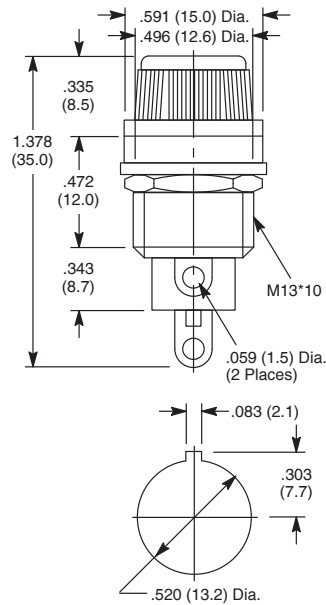


Specifications:

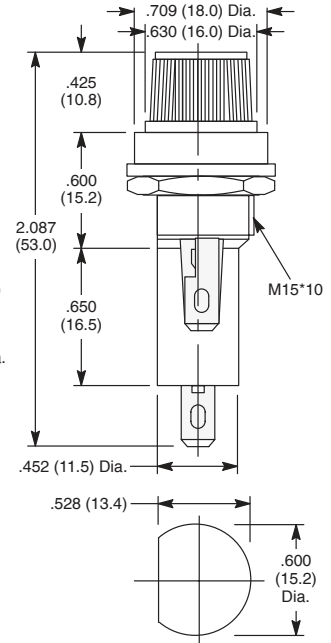
- Available in 2 Sizes:
Part No. 74-FH5 is for 5 x 20mm Fuses
Part No. 74-FH6 is for 6 x 30mm and 6.3 x 32mm Fuses
- Rating: 10A / 250VAC
- Finger-Grip Fuse Extractor Type Knob



FA-05 (74-FH5)



FA-06 (74-FH6)



In-Line Fuse Holder



Specifications:

- Available in 2 Sizes:
Part No. 74-IFH5 is for 5 x 20mm Fuses
Part No. 74-IFH6 is for 6 x 30mm Fuses
- Rating:
74-IFH5: 15A / 250VAC / 32VDC
74-IFH6: 20A / 250VAC / 32VDC
- Operating Temperature: -4° to +185°F (-20° to +85°C)
- Red Wire Leads: 14AWG for the 74-IFH5 and 12AWG for the 74-IFH6
- Finger-Grip Fuse Extractor Type Knob



FA-07

