

4

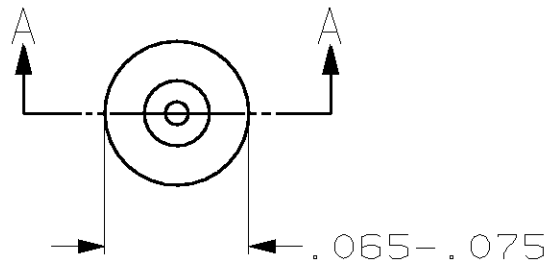
3

2

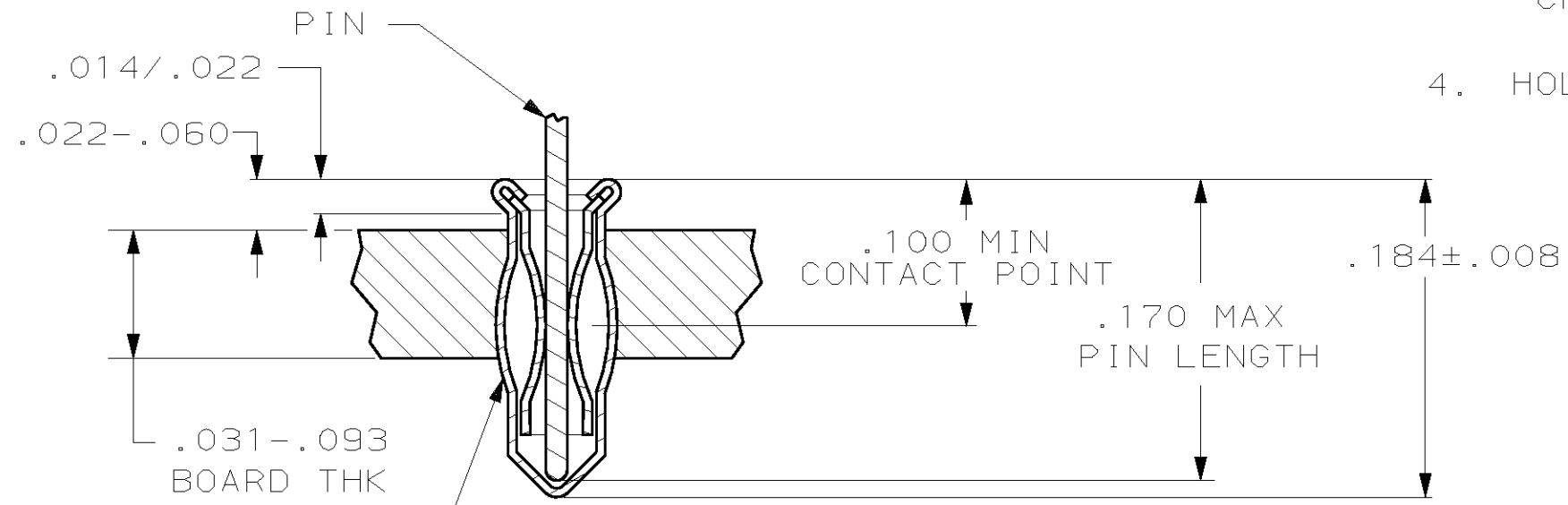
1

THIS DRAWING IS UNPUBLISHED. RELEASED FOR PUBLICATION ,19 .
 © COPYRIGHT 19 BY AMP INCORPORATED. ALL RIGHTS RESERVED.

LOC	DIST	REVISIONS			
P	LTR	DESCRIPTION	DATE	DWN	APVD
AG	53	G	REVISED PER 0650-0005-99	3-25-99	LM CF



- MATERIAL:
EYELET - COPPER (QQ-C-576)
SPRING - BERYLLIUM COPPER (QQ-C-533)
- PLATING:
TIN (MIL-T-10727) .000150 MIN THK
GOLD (MIL-G-45204) .000030 MIN THK OVER NICKEL (QQ-N-290) .000011 MIN THK ON CONTACT AREA.
- TO INSURE 1/2 OZ MIN RETENTION DO NOT EXCEED .004 DIFFERENCE IN PIN DIA WHEN CHANGING TO A SMALLER DIA PIN
- HOLE SIZE FOR HAND INSERTION .053-.055



INSERTION MACHINE CAPABLE OF OVALIZING SOCKET FOR RETENTION IN PC BOARD WITH .052±.003 DIA HOLE PRIOR TO SOLDERING OPERATION

SECTION A-A

.100/.170	.014/.026	GOLD	T1N LEAD	645952-3
		GOLD	TIN	645952-2
		TIN	TIN	645952-1
LENGTH	DIA	SPRING	EYELET	PART NO
PIN		FINISH		
NO. 2 SERIES LONG				

THIS DRAWING IS A CONTROLLED DOCUMENT.		DWN M. BOWERS 12-10-82	AMP Incorporated Harrisburg, PA 17105-3608	
DIMENSIONS: INCHES		CHK P. MUTZABAUGH 6-10-85		
TOLERANCES UNLESS OTHERWISE SPECIFIED:		APVD G.D. MILLER 6-10-85	NAME MINIATURE SPRING SOCKET ASSEMBLY	
		PRODUCT SPEC -	SIZE A3	
MATERIAL -		APPLICATION SPEC -	CAGE CODE 00779	DRAWING NO C- 645952
FINISH -		WEIGHT -	RESTRICTED TO -	
CUSTOMER DRAWING			SCALE NTS	SHEET 1 OF 1
			REV G	