

# RJ45 1000 Base-T Single Port, PoE++, w/ LEDs, Extend Temp

**ARJ-139**

**RoHS/RoHS II Compliant**



16.6 x 13.5 x 33.6 mm

## FEATURES:

- Compliant with IEEE802.3 standard
- Designed for Network Interface Cards(NIC), LAN-on-Motherboard(LOM)
- High performance for maximum EMI suppression
- 350μH minimum OCL with 8mA bias current
- RoHS peak wave solder temperature 260°C

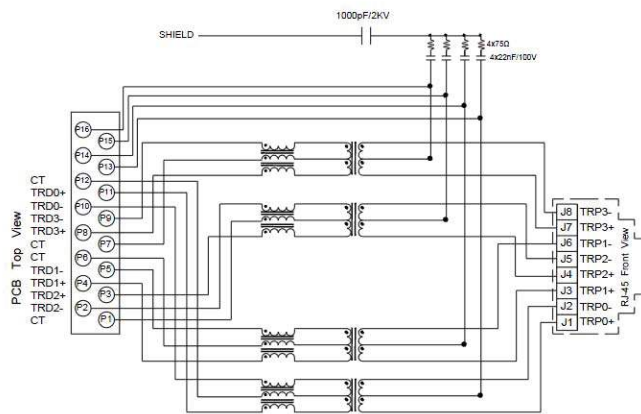
## APPLICATIONS:

- Support 1000 Base-T applications w/ Bi-Color LEDs
- PoE++(max 1A) with Extended Temperature (-40°C~85°C)
- Applicable for Ethernet Switch, Servers, & Access Point Routers
- Provides signal conditioning, EMI suppression and signal isolation

## STANDARD SPECIFICATIONS

Parameters	Minimum	Typical	Maximum	Units	Notes
Operating Temperature	-40		+85	°C	
Storage Temperature	-40		+85	°C	
Turn Ratio (± 5%)	1CT:1CT				Tx
	1CT:1CT				Rx
Inductance (OCL)	350			μH	100KHz/0.1V@8mA
DC Resistance (DCR)			1.5 / 0.750	Ω	MDI-PHY side/Cable side
Insertion Loss		-1.0		dB	1-100MHz
Return Loss	-20			dB	1-10MHz
	-16				30MHz
	-12				60-80MHz
Cross Talk		-40		dB	1-10MHz
		-35			32-65MHz
		-30			65-100MHz
CMR		-30		dB	1-125MHz
		-20			125-500MHz
PoE Current Capacity		720	1000	mA	@ 57V
Hi-Pot	1500Vrms/0.5mA/2Sec				Pri to Sec

## SCHEMATICS



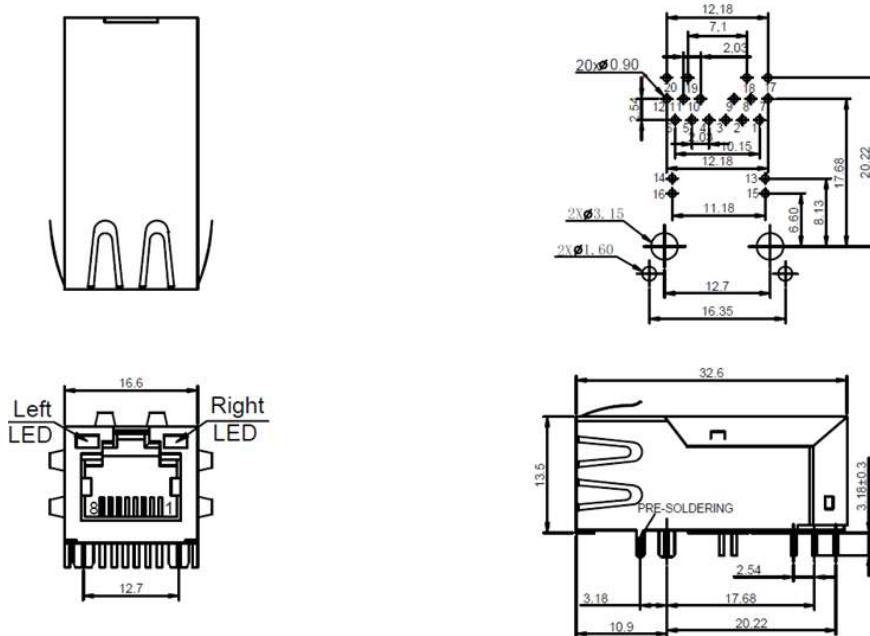
Standard LED	Wavelength	Forward*V(MAX)	TYP
Green	565nm	2.5v	2.2v
Yellow	585nm	2.5v	2.1v
Orange	610nm	2.5v	2.1v

With a forward current of 20mA



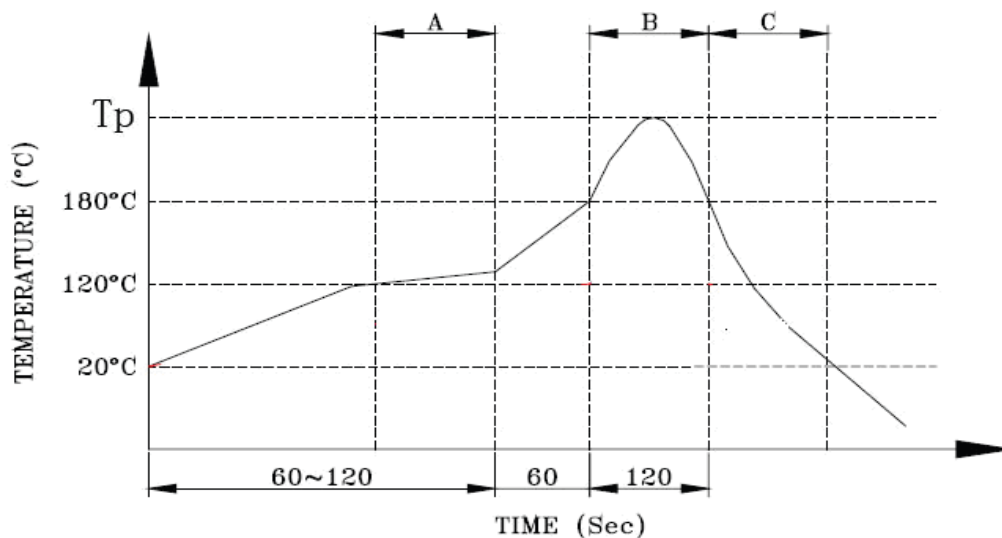
16.6 x 13.5 x 33.6 mm

### MECHANICAL DIMENSIONS



Dimensions: mm (Unless otherwise specified, all tolerances are ±0.25)

### WAVE SOLDERING PROFILE



A. Preheating B. Soldering C. Gradual Cooling

Peak temperature (Tp) : 250± 10°C

Peak temperature (Tp) time : 5sec max

# RJ45 1000 Base-T Single Port, PoE++, w/ LEDs, Extend Temp

**ARJ-139**

**RoHS/RoHS II Compliant**

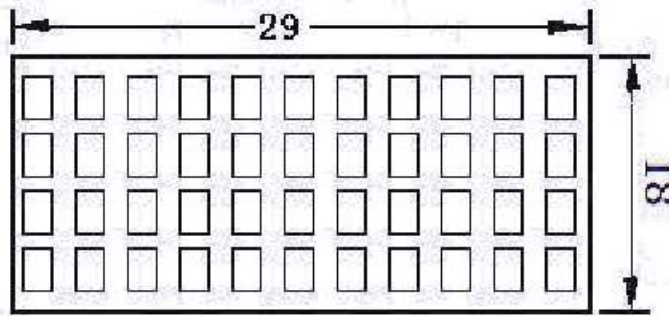


16.6 x 13.5 x 33.6 mm

## PACKING:

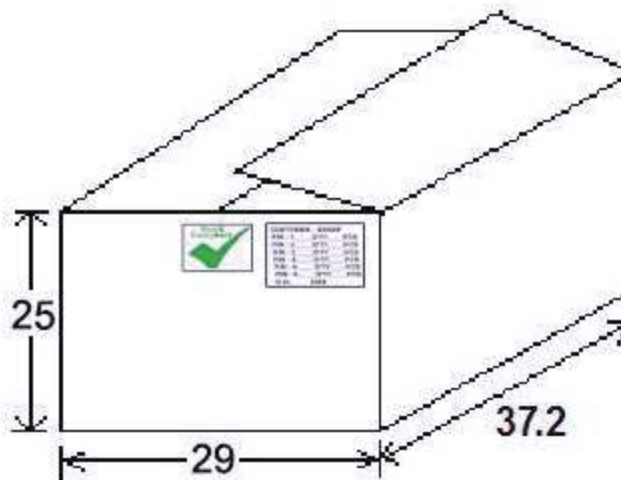
**Packaging: (40pcs/tray) MOQ = 1000pcs**

**Packaging Material: PET**



Unit=cm

**Outer carton unit (optional): 800 pcs/ 20 Trays/box**



**Dimensions: cm**

**ATTENTION:** Abracon LLC's products are COTS – Commercial-Off-The-Shelf products; suitable for Commercial, Industrial and, where designated, Automotive Applications. Abracon's products are not specifically designed for Military, Aviation, Aerospace, Life-dependent Medical applications or any application requiring high reliability where component failure could result in loss of life and/or property. For applications requiring high reliability and/or presenting an extreme operating environment, written consent and authorization from Abracon LLC is required. Please contact Abracon LLC for more information.