

CT1210SF Series

From .27 μ H to 1,000 μ H

SPECIFICATIONS

Parts are available in $\pm 20\%$ inductance tolerance only.

Part Number	Inductance (μ H)	L Test Freq. (MHz)	Q Min.	SRF (MHz) Min.	DCR (Ω) Max.	IDC (mA) Max.
CT1210SF-R27M	0.27	2.52	20	310	0.33	500
CT1210SF-1R2M	1.2	2.52	50	180	0.75	390
CT1210SF-2R7M	2.7	7.96	10	60	1.00	290
CT1210SF-6R8M	6.8	7.96	40	35	1.50	328
CT1210SF-100M	10	2.52	30	25	2.0	185
CT1210SF-470M	47	2.52	20	14	9.0	100
CT1210SF-560M	56	2.52	20	12	10	87
CT1210SF-680M	68	2.52	30	11	11	83
CT1210SF-820M	82	2.52	30	10	12	79
CT1210SF-101M	100	2.52	30	8.0	14	73
CT1210SF-102M	1000	0.796	10	2.4	11	5



CHARACTERISTICS

Description: SMD Shielded Wire-wound Chip Inductor.

Applications: Personal computers, ADSL/VoIP, Hard disk drives, etc.

Operating Temperature: -35°C to $+85^{\circ}\text{C}$

Inductance Tolerance: $\pm 20\%$

Testing: Inductance is tested on a HP4285A or a HP4286A at the specified frequency.

Packaging: Tape & Reel.

Marking: Parts are marked with inductance code.

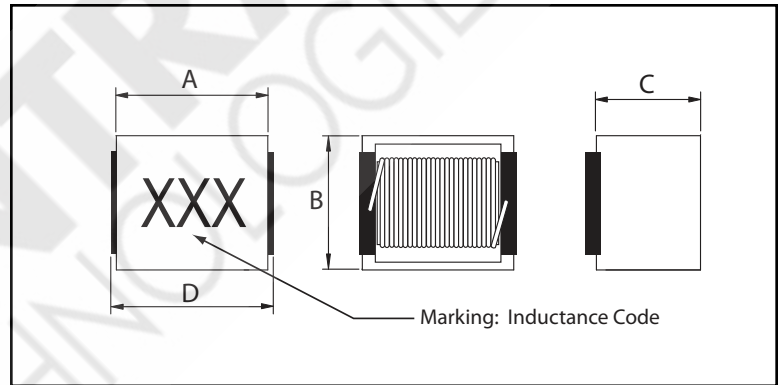
Miscellaneous: **RoHS Compliant.**

Additional Information: Additional electrical & physical information available upon request.

Samples available. See website for ordering information.

PHYSICAL DIMENSIONS

Size	A	B	C	D Max.
mm	3.2 \pm 0.3	2.5 \pm 0.3	2.2 \pm 0.3	3.8
inches	0.126 \pm 0.012	0.10 \pm 0.012	0.09 \pm 0.012	0.15



PAD LAYOUT

