

Flat suction pad (round)

SUF 6 NBR-55 M5-AG

Part no.:10.01.01.14219

<https://www.schmalz.com/10.01.01.14219>

Home > Vacuum Technology for Automation > Vacuum Components > Vacuum Suction Cups > Suction Cups for the Electronics Industry > Flat Suction Cups SUF > SUF 6 NBR-55 M5-AG

Flat suction cup (round) for process safe handling of smooth or slightly rough surfaces



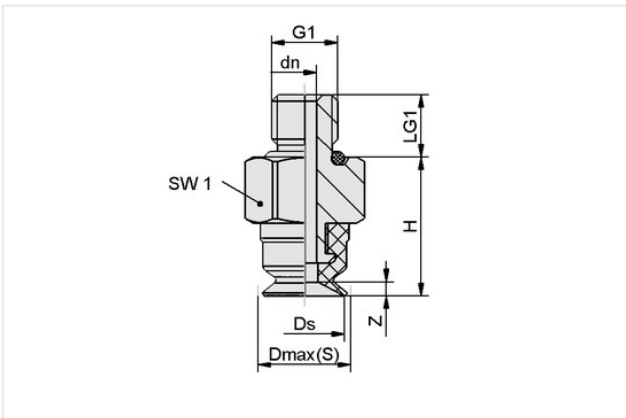
Size: 6

Suction cup material: Nitrile rubber NBR

Material hardness [Shore A]: 55 Shore A

Vacuum connection: M5-M

Design Data



| Attribute | Value |
|------------|----------|
| Dmax(S) | 6.80 mm |
| Ds | 6 mm |
| dn | 1.80 mm |
| G1 | M5-M |
| H | 10.50 mm |
| LG1 | 4.70 mm |
| SW1 | 8 mm |
| Z (Stroke) | 0.60 mm |

Technical Data

| Attribute | Value |
|-----------------------------|----------------------|
| Suction force (-600mbar) | 1.40 N |
| Pull-off force | 1.40 N |
| Volume | 0.02 cm ³ |
| Curve radius (min) (convex) | 8 mm |
| Hose diameter (empf.) d | 2 mm |
| Size | 6 |
| Suction cup material | Nitrile rubber NBR |
| Material hardness [Shore A] | 55 Shore A |

Contact Schmalz

Schmalz Inc. | 5850 Oak Forest Drive, Raleigh, NC 27616, United States | +1 (919) 713-0880 | schmalz.us@schmalz.com

Flat suction pad (round)

SUF 6 NBR-55 M5-AG

Part no...:10.01.01.14219

<https://www.schmalz.com/10.01.01.14219>

| | |
|-----------------|-----|
| Weight | 1 g |
| Product family | SUF |
| Number of folds | 0 |

Note: Suction force: The specified suction forces are theoretical values at a vacuum of -0.6 bar and with a dry, smooth and flat workpiece surface - they do not include a safety factor
Hose diameter: The recommended hose diameter refers to a hose length of approx. 2 m

Spare parts



SC 020 M5-AG

Part no...:10.01.06.04273

Connection geometry: 020

Vacuum connection: M5-M

Fitting length: 5 mm

Nominal diameter dn: 1.8 mm



SUF 6 NBR-55 SC020

Part no...:10.01.01.13941

Size: 6

Suction cup material: Nitrile rubber NBR

Material hardness [Shore A]: 55 Shore A