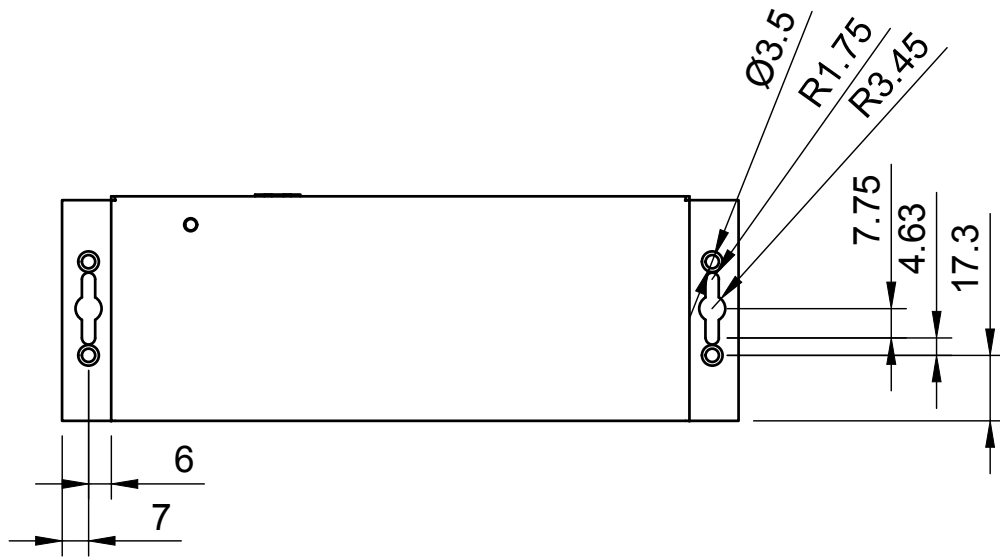
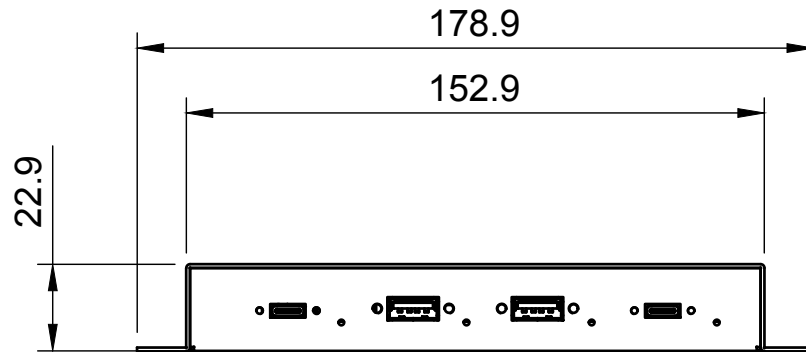

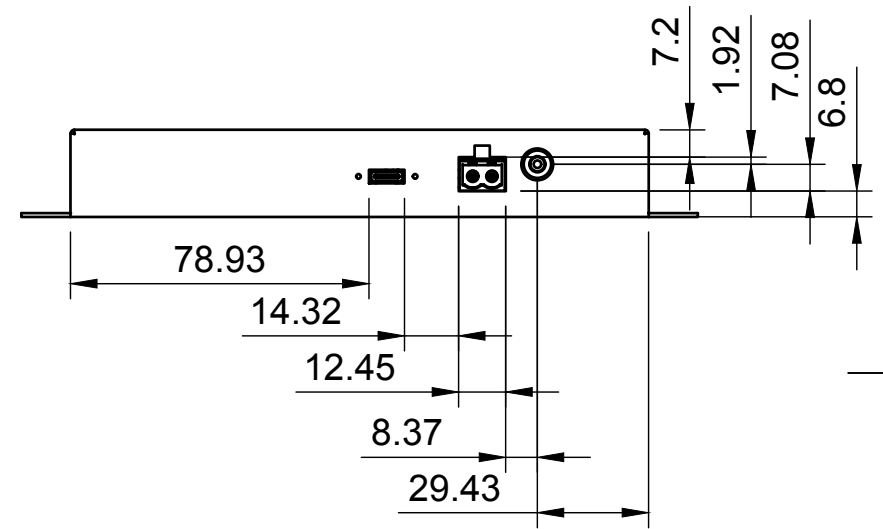
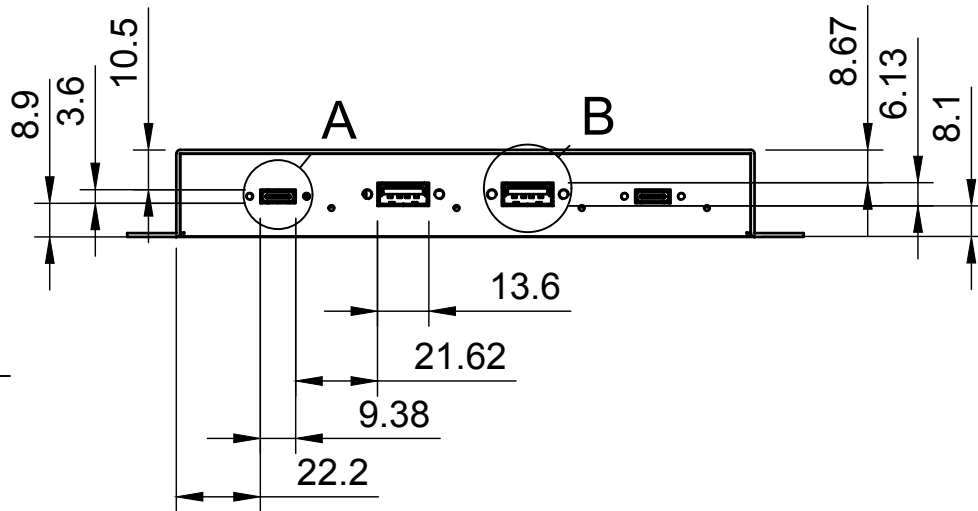


Basic Measurements  
Mounbting Holes

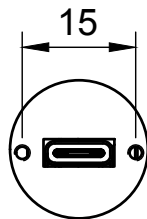


		Model #:	
		CG-4P31CHUB-M	
Drawn by: Leo Pinto	Scale: 1:2	Units: mm	
Drawn Date: 5/18/21	Tolerance: +/- 0.15mm		
Notes:	Contact: support@coolgear.com		
	Web: coolgear.com		
	A4	1/3	

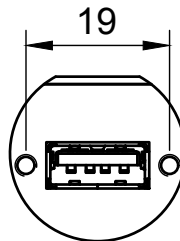
# Ports Detailed




A (1:1)

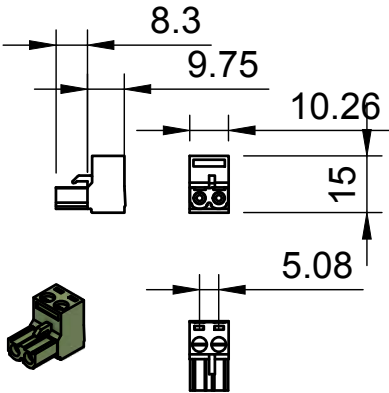



B (1:1)



		Model #:	
		CG-4P31CHUB-M	
Drawn by: Leo Pinto		Scale: 1:2	Units: mm
Drawn Date: 5/18/21		Tolerance: +/- 0.15mm	
Notes:		Contact: support@coolgear.com	
		Web: coolgear.com	
		A4	2/3

# Accessories



		Model #:	
		CG-4P31CHUB-M	
Drawn by: Leo Pinto		Scale: 1:2	Units: mm
Drawn Date: 5/18/21		Tolerance: +/- 0.15mm	
Notes:		Contact: support@coolgear.com	
		Web: coolgear.com	
		A4	3/3