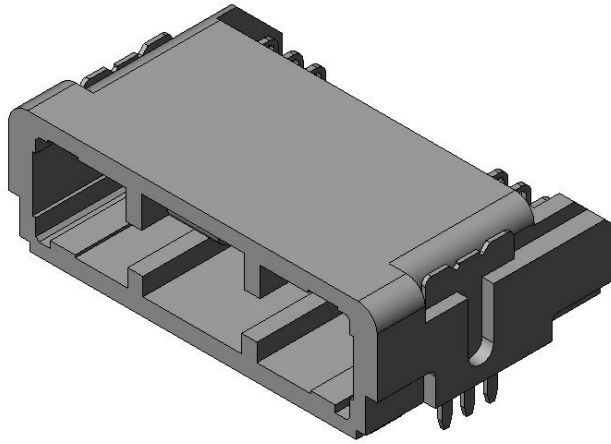


# MX77A016HF1

## Product Details

---



### Features

Low-profile Automotive Connector, Ultra compact type 0.4 mm tab size, 16pos., Right angle Pin header (SMT), UL94 V-0

<b>Part Number</b>	<b>MX77A016HF1</b>
<b>Status</b>	<b>Active</b>
<b>Number of Positions</b>	16 pos.
<b>Rated Current</b>	3
<b>Waterproof/ Non-waterproof</b>	Non-waterproof
<b>Applications</b>	Automotive body-based ECU/BMS (Battery Management System), etc.
<b>Connector Type</b>	Pin header
<b>Connector Style</b>	Right angle
<b>Number of Rows</b>	2 row
<b>Contact Type</b>	Pin
<b>Terminal Size</b>	0.4 mm
<b>PCB Mounting Method</b>	Soldering (SMT)

<b>PCB Boardlock Feature</b>	Legs (Through hole reflow soldering)
<b>PCB Mounted Height</b>	9.7
<b>Wire Termination Style</b>	-
<b>Applicable Wire Size (mm2)</b>	-
<b>Material of Insulator</b>	PPS-GF40
<b>Material of Contact</b>	Copper alloy
<b>Finish of Contact in Connecting Area</b>	Tin plating
<b>Finish of Contact in Terminal Area</b>	Tin plating
<b>RoHS compliant</b>	10 substances (2011/65/EU, (EU)2015/863)
<b>REACH compliant</b>	233 substances (17/01/2023)
<b>Combination</b>	<a href="#">MX77D016SF1</a> <a href="#">MX77A016SF1</a>
<b>Remarks</b>	

### Notice

1. The values specified in this web site are only for reference. The products and their specifications are subject to change without notice. Contact our sales staff for further information before considering or ordering any of our products.  
For purchase, a product specification must be agreed upon.
2. Please contact us if you are considering use involving a quality assurance program that you specify or that is peculiar to the industry. Also contact us regarding the details of use, usage, specification before considering or ordering any of our products.
3. Users are requested to provide protection circuits and redundancy circuits to ensure safety of the equipment, and sufficiently review the

suitability of JAE's products to the equipment.