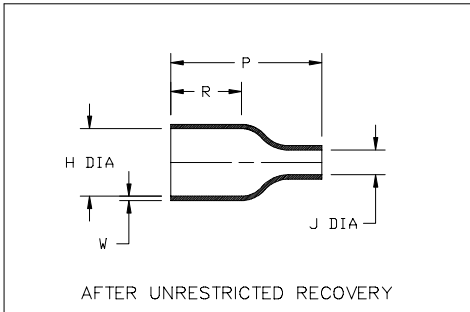
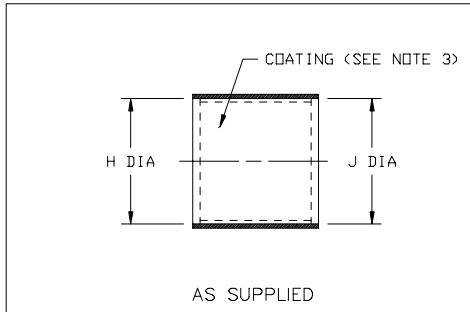


Thermofit<sup>®</sup> Molded Parts  
 Specification Control Drawing  
 Limited Distribution

Part Number : 202A174-X-03  
 Description : Boot, Straight

NOTES

- All dimensions are in  $\frac{\text{inches}}{\text{millimeters}}$
- Dimensions appearing in table are as follows:  
 a - As Supplied  
 b - After Unrestricted Recovery
- Coating is optional. As supplied dimensions appearing in table are for uncoated parts. When coating is added, entry diameters will be reduced by .06 max.



PART NUMBER	H		J		P ±20%	R Ref	JO Ref	W ±20%
	Min	Max	Min	Max				
	a	b	a	b				
202A174-X-03	2.04 [51,8]	1.39 [35,3]	2.04 [51,8]	.63 [16,0]	2.25 [57,1]	1.12 [28,4]	.14 [3,5]	.13 [3,3]

**If this document is printed it becomes uncontrolled.  
 Check for the latest revision.**



RAYCHEM CORPORATION  
 300 CONSTITUTION DRIVE  
 MENLO PARK, CALIFORNIA 94025

Revision : A  
 Date : 9/4/96

Part Number : 202A174-X-03  
 Description : Boot, Straight

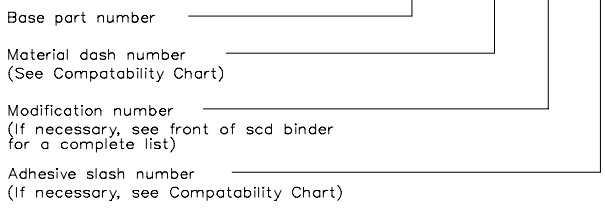
Thermofit<sup>®</sup> Molded Parts  
 Specification Control Drawing  
 Limited Distribution

Part Number : 202A174-X-03  
 Description : Boot, Straight

COMPATABILITY CHART					
MATERIAL DASH NO.	MATERIAL DESCRIPTION	RT SPEC	COATING SLASH NO.	COATING S NO.	COATING DESCRIPTION
-3	Polyolefin, Semi-rigid	RT-301	/42;/86	S-1017;S-1048	Adhesive

ORDERING INFORMATION

202A174 -X- 03 /XX



THIS DRAWING IS SUBJECT TO CHANGE WITHOUT NOTICE; CONSULT YOUR  
 NEAREST FIELD REPRESENTATIVE FOR CURRENT REVISION



RAYCHEM CORPORATION  
 300 CONSTITUTION DRIVE  
 MENLO PARK, CALIFORNIA 94025

Revision : A  
 Date : 9/4/96

Part Number : 202A174-X-03  
 Description : Boot, Straight