

6

5

4

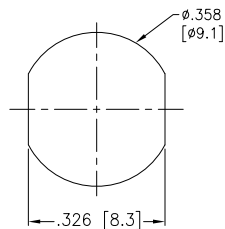
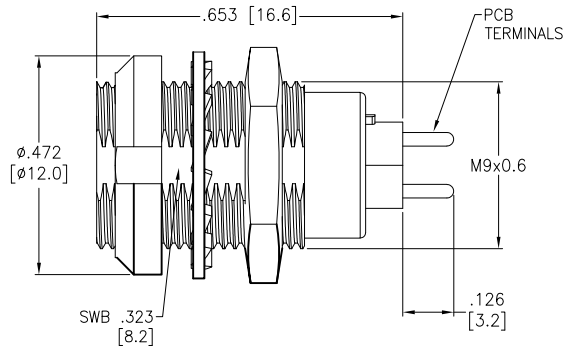
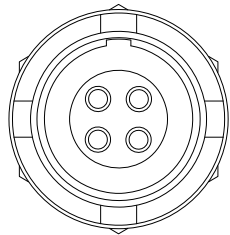
3

2

1

APPROVED: _____
 DATE: _____ TITLE: _____

Rev	AWO #	Description	Date	Appr
-		RELEASED	8/16/21	



Panel Cut-Out
(Rear Panel Mounting)

Note: .216 [5.5] Max. Panel Thickness

MMI-MORSXXXP

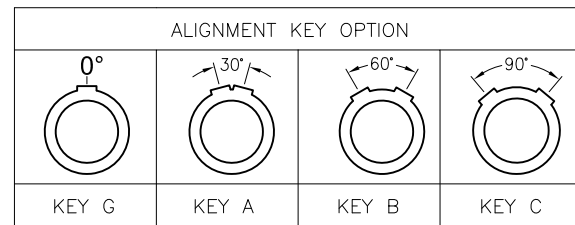
SIZE 0

ALIGNMENT KEY

- G = 0°
- A = 30°
- B = 60°
- C = 90°

OF POSITIONS
(02, 03, 04, 05, 06, 07 & 09)

ALIGNMENT KEY OPTION



	2 Pin	3 Pin	4 Pin	5 Pin	6 Pin	7 Pin	9 Pin
Configuration							
Diameter of Pin	φ0.9	φ0.9	φ0.7	φ0.7	φ0.5	φ0.5	φ0.5
Testing Voltage	1200V	1200V	1000V	1000V	900V	800V	800V
Working Voltage	250V	250V	200V	200V	200V	200V	200V
Rated Current / Pin	8A	7A	5A	5A	2.5A	2A	2A

SPECIFICATIONS:

Material:
 Body: Brass, Natural Chrome Plated
 Insulator: PPS, color Beige
 Terminal: Brass, Gold Plated
 Electrical:
 Voltage Rating: See chart
 Current Rating: See chart
 Dielectric withstanding voltage: See chart
 Electrical Life: 1,000 Cycles min.
 Mechanical:
 Endurance: 5,000 Cycles Min.
 Temperature Rating:
 Operating temperature: -55°C to +150°C
 Environmental:
 IP50 Protection (Mated Condition)
 Lead free, RoHS compliant



UNLESS OTHERWISE SPECIFIED
 ALL DIMENSIONS ARE INCHES [MM]
 TOLERANCES: EXCEPT AS NOTED
 INCHES HOLES
 .X ± .10 Ø.X ± .10
 .XX ± .020 Ø.XX ± .015
 .XXX ± .015 Ø.XXX ± .010

APPROVALS		DATE
DRAWN	SS	8/16/21
CHECKED	SS	8/16/21
APPROVED		



909 Rahway Avenue,
 Union, NJ 07083
 Phone: 908-687-5000
 Fax: 908-687-5710

TITLE
 PUSH-PULL SOCKET, VERTICAL, SIZE 0, METAL BODY,
 REAR PANEL MOUNT, PCB TERMINALS, IP50

SIZE X	PART NO. MMI-MORSXXXP	REV. -
REF: SXXXXX	SCALE: NTS	SHEET 1 OF 2

6

5

4

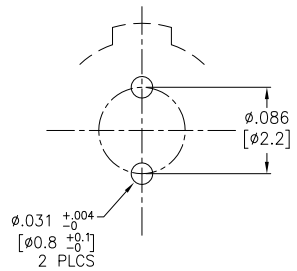
3

2

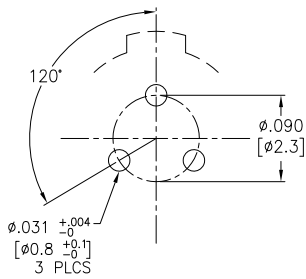
1

APPROVED: _____
 DATE: _____ TITLE: _____

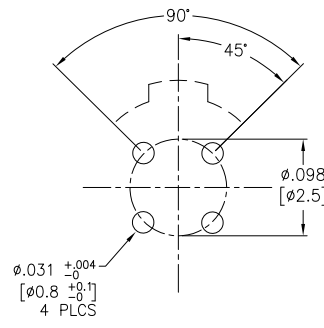
Rev	AWO #	Description	Date	Appr
-		RELEASED	8/16/21	



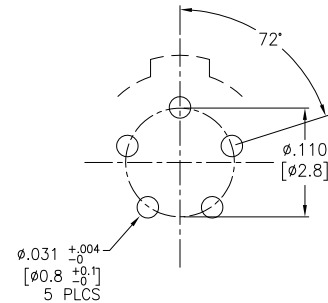
2 PIN



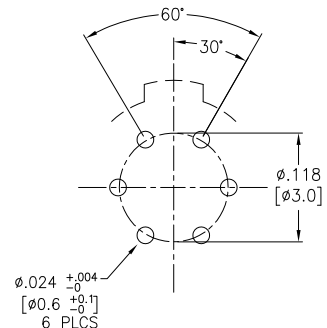
3 PIN



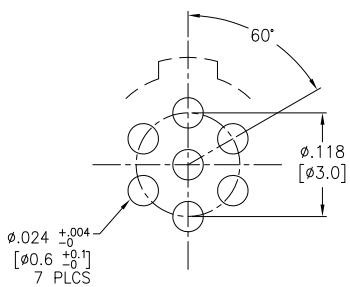
4 PIN



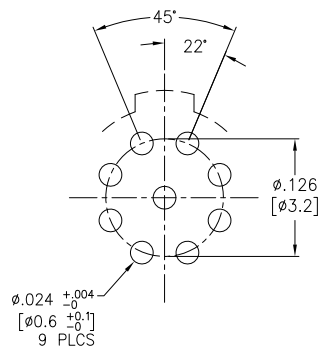
5 PIN



6 PIN



7 PIN



9 PIN

UNLESS OTHERWISE SPECIFIED
 ALL DIMENSIONS ARE INCHES [MM]
 TOLERANCES: EXCEPT AS NOTED
 INCHES HOLES

.X	± .10	Ø.X	± .10
.XX	± .020	Ø.XX	± .015
.XXX	± .015	Ø.XXX	± .010

ADAM TECH 909 Rahway Avenue,
 Union, NJ 07083
 Phone: 908-687-5000
 Fax: 908-687-5710

APPROVALS		DATE
DRAWN	SS	8/16/21
CHECKED	SS	8/16/21
APPROVED		

TITLE PUSH-PULL SOCKET, VERTICAL, SIZE 0, METAL BODY, REAR PANEL MOUNT, PCB TERMINALS, IP50		
SIZE X	PART NO. MMI-MORSXXXP	REV. -
REF: SXXXXXX	SCALE: NTS	SHEET 2 OF 2