

1658640-1 ✓ ACTIVE



AMPLIMITE

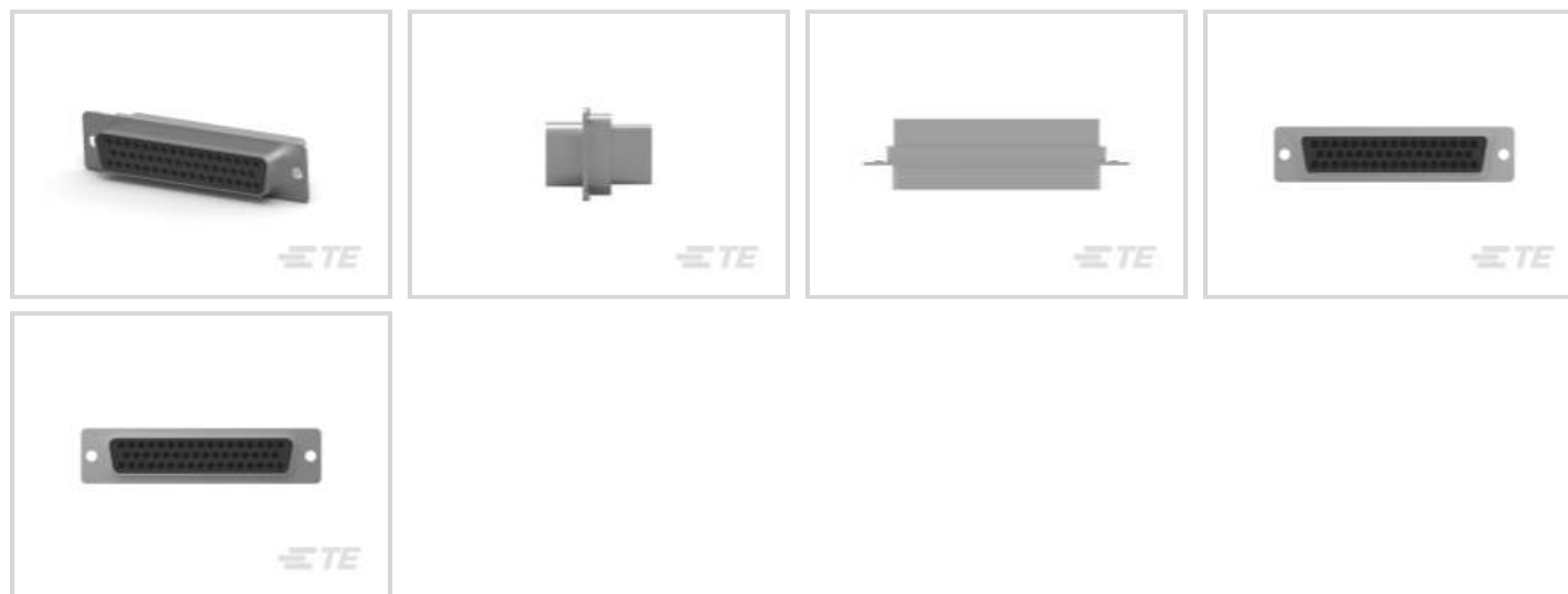
TE Internal #: 1658640-1

Crimp D-Sub Connectors, Receptacle, Cable-to-Cable, 50 Position,
Contact Size Size 20, 5 Connector Shell Size, Mating Retention,
Shielded

[View on TE.com >](#)

Connectors > D-Shaped Connectors > D-Sub Connectors > Crimp D-Sub Connectors >

D-Sub Crimp Recpt Signal 50 Posn, Socket Size 20, Shell Size 5



Connector & Housing Type: **Receptacle**

Connector System: **Cable-to-Cable**

Number of Positions: **50**

Contact Size: **Size 20**

Connector Shell Size: **5**

[All D-Sub Crimp Recpt Signal 50 Posn, Socket Size 20, Shell Size 5 \(6\)](#)

Features

Product Type Features

Shell Material Configuration	Full Metal Shell
Connector & Housing Type	Receptacle
Connector System	Cable-to-Cable
Connector Shell Size	5
Sealable	No
Connector & Contact Terminates To	Wire & Cable

Configuration Features

Number of Positions	50
---------------------	----

Body Features

Insert Material	Glass-Filled Nylon
Shield Plating Material	Steel
Shell Plating Material	Tin



Primary Product Color	Black
-----------------------	-------

Contact Features

Contact Size	Size 20
--------------	---------

Mechanical Attachment

Mating Retention	With
------------------	------

Mating Retention Type	Mounting Holes
-----------------------	----------------

Housing Features

Shell Material	Steel
----------------	-------

Housing Material	Nylon GF, Polyester GF
------------------	------------------------

Centerline (Pitch)	2.74 mm, 2.76 mm, 2.79 mm [.108 in][.109 in] [.11 in]
--------------------	--

Dimensions

Compatible Insulation Diameter Range	4.58 – 11.68 mm
--------------------------------------	-----------------

Wire Size	.2 – .56 mm ²
-----------	--------------------------

Usage Conditions

Operating Temperature Range	-55 – 105 °C[-67 – 221 °F]
-----------------------------	----------------------------

Operation/Application

Shielded	Yes
----------	-----

Circuit Application	Signal
---------------------	--------

Industry Standards

UL Flammability Rating	UL 94V-0
------------------------	----------

Packaging Features

Packaging Quantity	225
--------------------	-----

Packaging Method	Package
------------------	---------

Other

D-Shaped Connectors Comment	Receptacles accept size 20 DF socket contacts.
-----------------------------	--

Product Compliance

[For compliance documentation, visit the product page on TE.com>](#)

EU RoHS Directive 2011/65/EU	Compliant
------------------------------	-----------

EU ELV Directive 2000/53/EC	Compliant
-----------------------------	-----------



China RoHS 2 Directive MIIT Order No 32, 2016	No Restricted Materials Above Threshold
EU REACH Regulation (EC) No. 1907/2006	Current ECHA Candidate List: JUNE 2023 (235) Candidate List Declared Against: JUNE 2023 (235) Does not contain REACH SVHC
Halogen Content	Not Low Halogen - contains Br or Cl > 900 ppm.
Solder Process Capability	Not applicable for solder process capability

Product Compliance Disclaimer

This information is provided based on reasonable inquiry of our suppliers and represents our current actual knowledge based on the information they provided. This information is subject to change. The part numbers that TE has identified as EU RoHS compliant have a maximum concentration of 0.1% by weight in homogenous materials for lead, hexavalent chromium, mercury, PBB, PBDE, DBP, BBP, DEHP, DIBP, and 0.01% for cadmium, or qualify for an exemption to these limits as defined in the Annexes of Directive 2011/65/EU (RoHS2). Finished electrical and electronic equipment products will be CE marked as required by Directive 2011/65/EU. Components may not be CE marked. Additionally, the part numbers that TE has identified as EU ELV compliant have a maximum concentration of 0.1% by weight in homogenous materials for lead, hexavalent chromium, and mercury, and 0.01% for cadmium, or qualify for an exemption to these limits as defined in the Annexes of Directive 2000/53/EC (ELV). Regarding the REACH Regulation, the information TE provides on SVHC in articles for this part number is based on the latest European Chemicals Agency (ECHA) 'Guidance on requirements for substances in articles' posted at this URL: <https://echa.europa.eu/guidance-documents/guidance-on-reach>

Compatible Parts



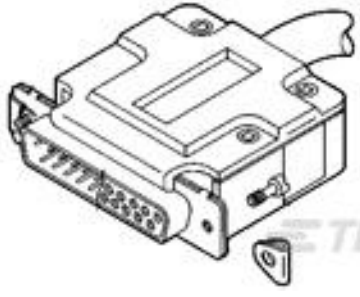
TE Part # CAT-035-DCPPS205
D-Sub Crimp: Plug, Signal, 50 Posn, Pin Size 20, Shell Size 5



TE Part # CAT-035-DCRSS205
D-Sub Crimp Recpt Signal 50 Posn, Socket Size 20, Shell Size 5



TE Part # 5748676-5
DIE CAST CBL CLMP KIT, SZ 5



TE Part # 1-5207908-3
KIT S/R SCREW RET 90/180 DEG



TE Part # 206509-1
SIZE 20 KEYING PLUG

Customers Also Bought



Documents

Product Drawings

[HDP-20, RCPT, SIZE 5, 50 POSN](#)

English

CAD Files

Customer View Model

[ENG_CVM_1658640-1_C.3d_stp.zip](#)

English

Customer View Model

[ENG_CVM_1658640-1_C.2d_dxf.zip](#)

English

Customer View Model

[ENG_CVM_1658640-1_C.3d_igs.zip](#)

English

3D PDF

3D

By downloading the CAD file I accept and agree to the [Terms and Conditions](#) of use.

Datasheets & Catalog Pages

[AMPLIMITE Subminiature D Connectors - Cable Connectors](#)

English

[AMPLIMITE Cable Connectors and Shielding Hardware Kits QRG](#)

English

Product Specifications

[Application Specification](#)

English



Product Environmental Compliance

[MD_1658640-1_101520182325_dmtec](#)

English

[MD_1658640-1_101520182325_dmtec](#)

English

Instruction Sheets

[Instruction Sheet \(U.S.\)](#)

English

Agency Approvals

[UL Report](#)

English