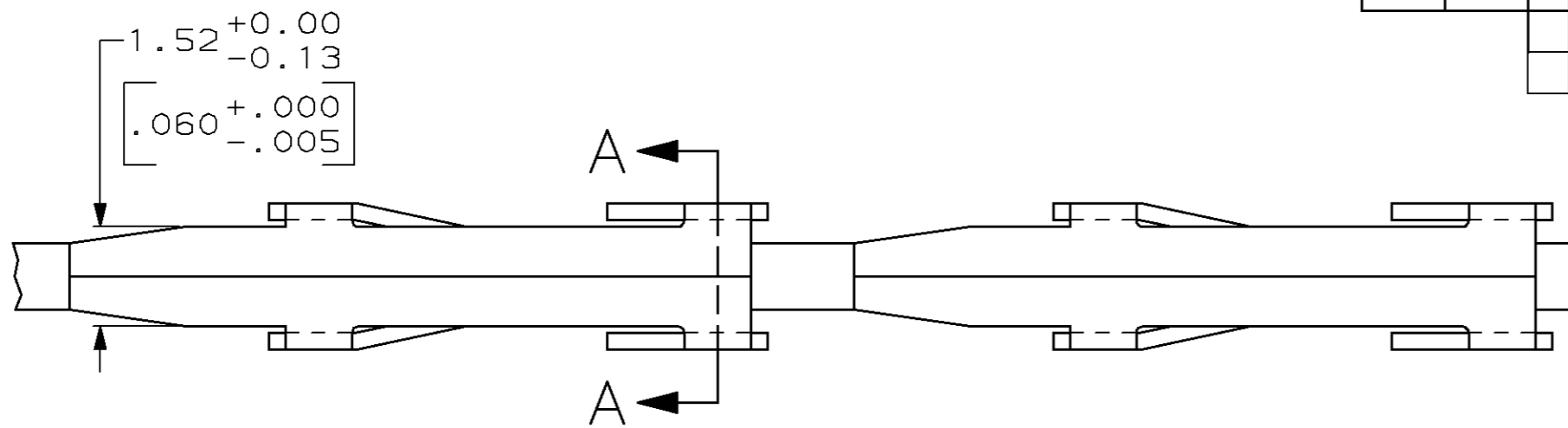
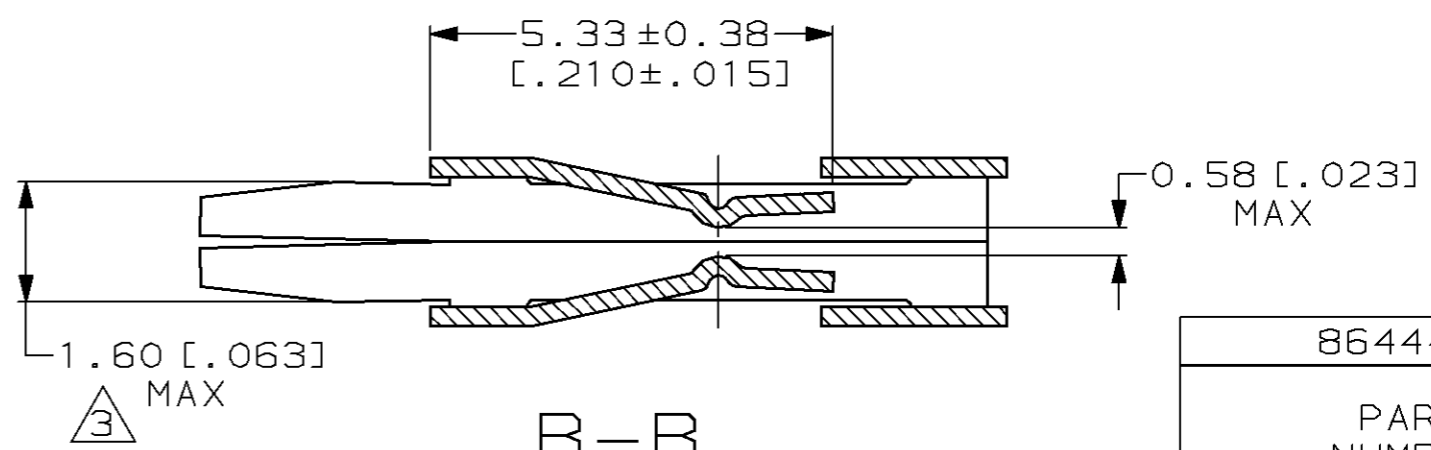
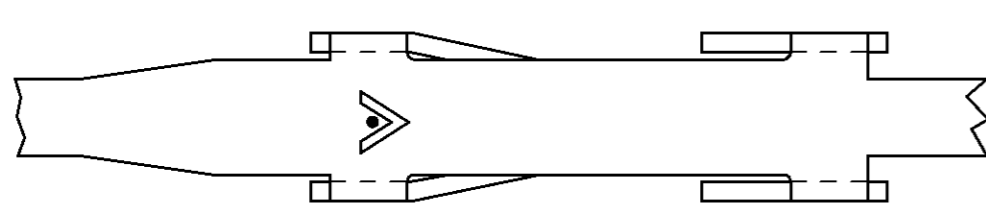
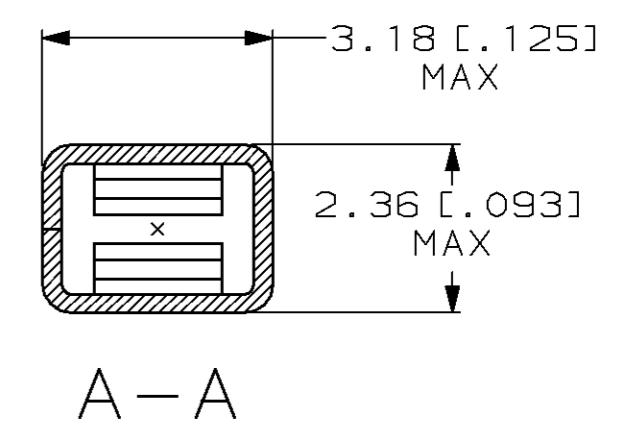
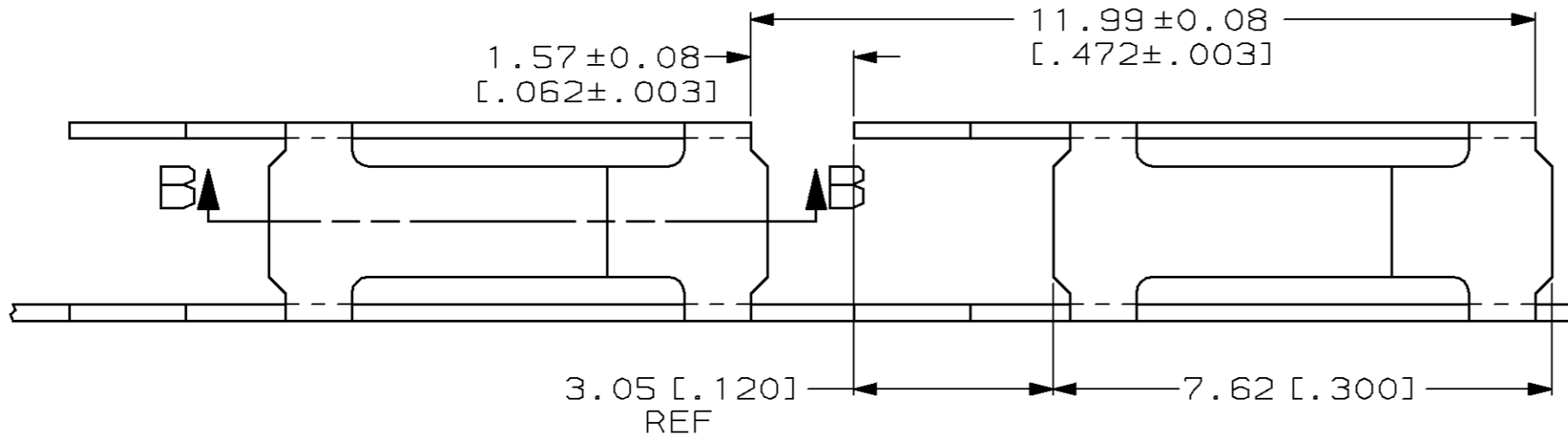


THIS DRAWING IS UNPUBLISHED. RELEASED FOR PUBLICATION, 19...  
 © COPYRIGHT 19 BY AMP INCORPORATED. ALL RIGHTS RESERVED.

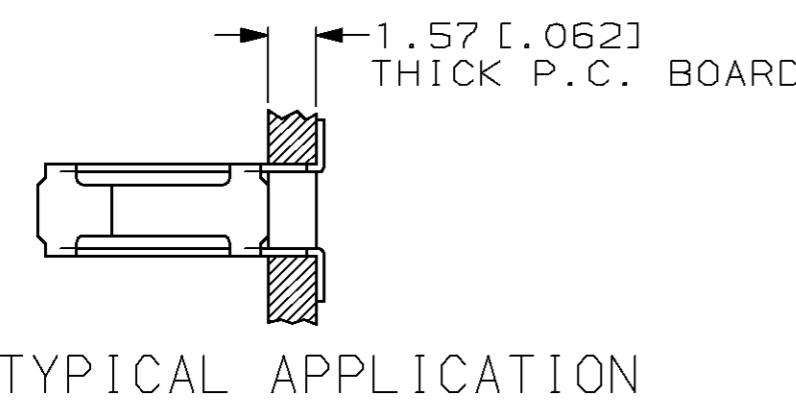
LOC	DIST	REVISIONS			
P	LTR	DESCRIPTION	DATE	DWN	APVD
AD	39				
	D	REV PER 0010-1061-94	28-DEC-96	EB	JH
	E	REV PER 0010-1175-95	28-DEC-96	EB	JH



- 1 MATERIAL: PHOSPHOR BRONZE
- 2 FINISH: TIN PLATE
- 3 MAX RANGE PERMISSIBLE FOR TINE SEPARATIONS. TINES TEND TO SEPARATE WHEN LEG IS BENT DOWNWARD.



86444-1  
 PART NUMBER



<small>THIS DRAWING IS A CONTROLLED DOCUMENT FOR AMP INCORPORATED. IT IS SUBJECT TO CHANGE AND THE CONTROLLING ENGINEERING ORGANIZATION SHOULD BE CONTACTED FOR THE LATEST REVISION.</small>		DWN E. BRANDBERG 28-DEC-96 CHK J. HERRINGTON 28-DEC-96 APVD D. TROUT 28-DEC-96	<b>AMP</b> AMP Incorporated Harrisburg, PA 17105-3608
DIMENSIONS: mm [INCH]	TOLERANCES UNLESS OTHERWISE SPECIFIED: 0 PLC ±- 1 PLC ±- 2 PLC ±0.13 [.005] 3 PLC ±- 4 PLC ±- ANGLES ±-	NAME FEMALE CONTACT, VERTICAL, TYPE "A", MOD I, HIGH PRESSURE.	SIZE A3 CAGE CODE 00779 DRAWING NO C-86444
MATERIAL 1	FINISH 2	APPLICATION SPEC - WEIGHT - CUSTOMER DRAWING	SCALE 10:1 SHEET 1 OF 1 REV E