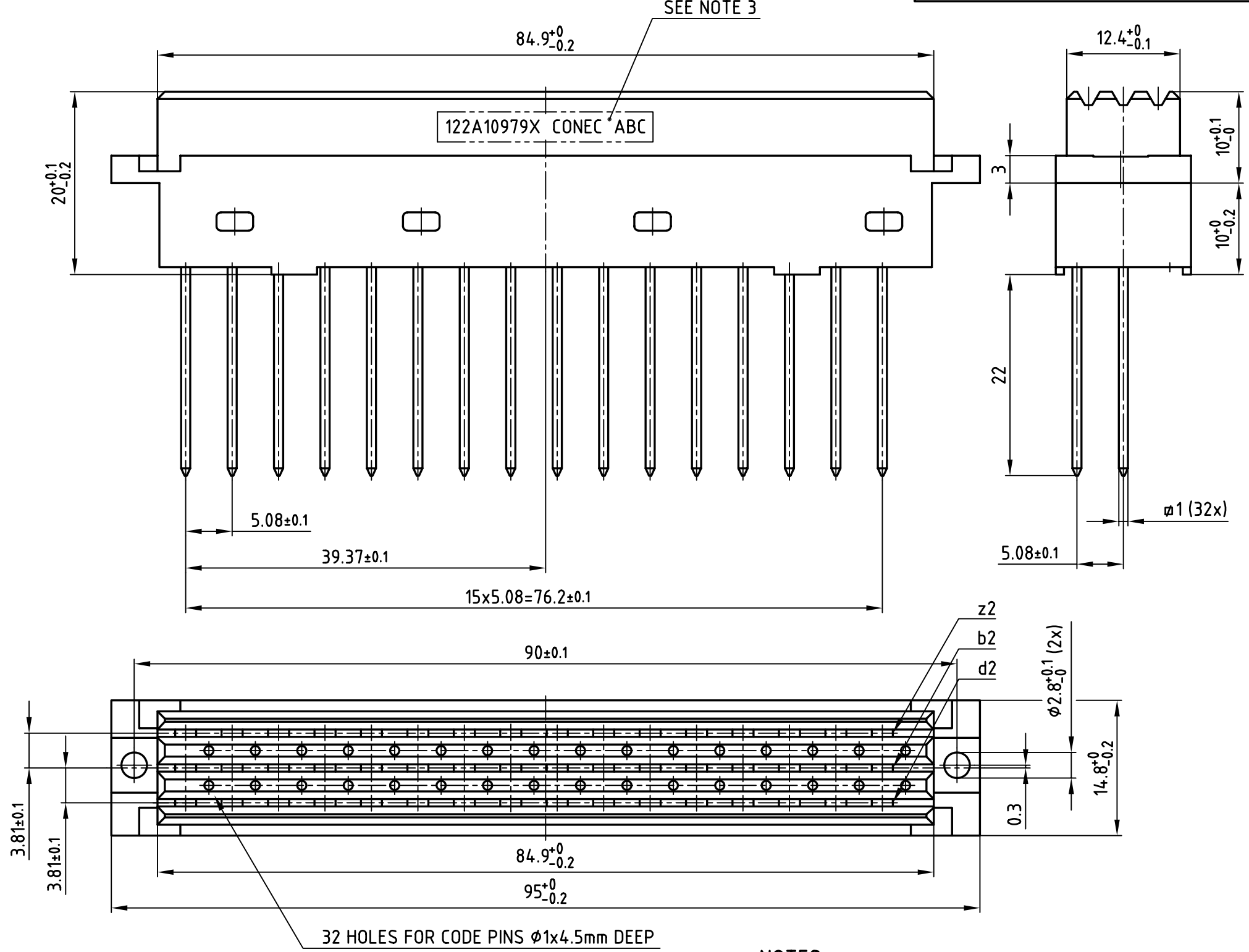


used for: DIN EN 60603-2 TYPE "F"

SEE NOTE 3

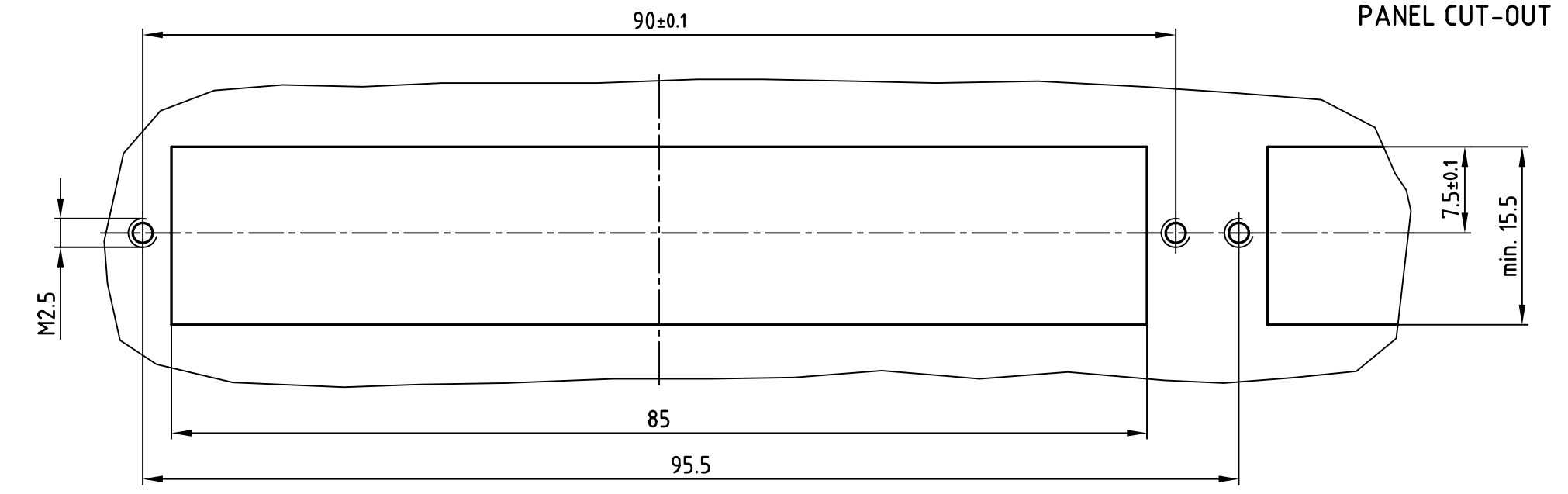
122A10979X CONEC ABC



NOTES:

1. INSULATOR: PBT GF UL 94 V-0; GREY
2. CONTACTS: COPPER ALLOY
PLATING: GOLD over NICKEL
50 MATING CYCLES
3. CONNECTOR IS PART MARKED: 122A10979X CONEC ABC

PANEL CUT-OUT



APPROVAL # FREIGABE # DEBLOCAGE # AUTORIZACION # APPROVAL		tolerance		scale: 2:1	
CUSTOMER APPROVAL DATE:		dim. in mm		material: SEE NOTES	
NAME:	TITLE:	2010	date	title:	
		drawn	08.07.	FEMALE CONNECTOR TYPE "F"	
		appd.	09.07.	32pos. WIRE WRAP 22mm	
COMPANY NAME:		norm	DIN EN 60603-2		
APPROVAL # FREIGABE # DEBLOCAGE # AUTORIZACION # APPROVAL		d-old			
THIS DRAWING MAY NOT BE COPIED OR REPRODUCED IN ANY WAY, AND MAY NOT BE PASSED ON TO A THIRD PARTY WITHOUT WRITTEN PERMISSION. OWNERSHIP AND COPYRIGHT OF CONEC GmbH		a		Origin	
DO NOT ALTER CAD DRAWING BY HAND		rev.		description	
		date		name	
		CONEC®		dwg no: AutoCAD 2006	
				DIN-A	
				3	
				sh: 1/1	
				part no: 122A10979X	
				12K1A681	