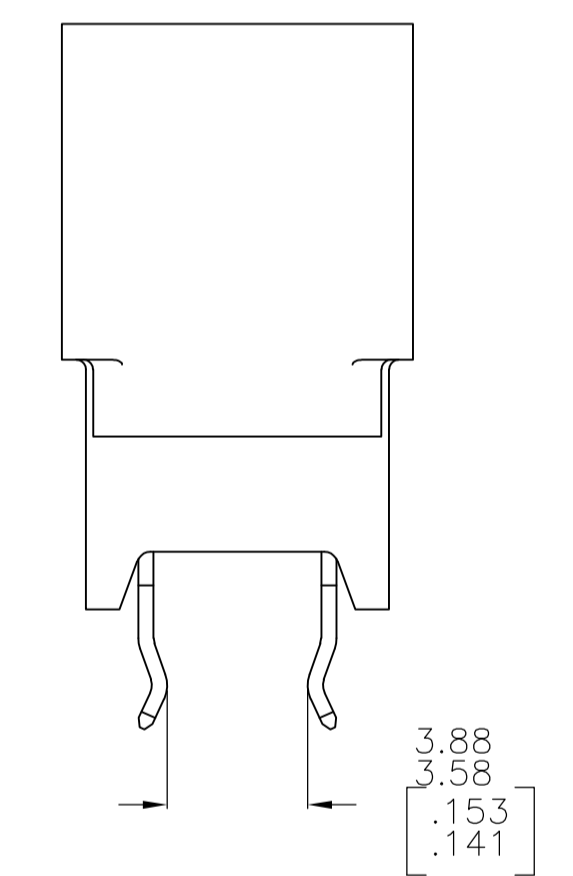
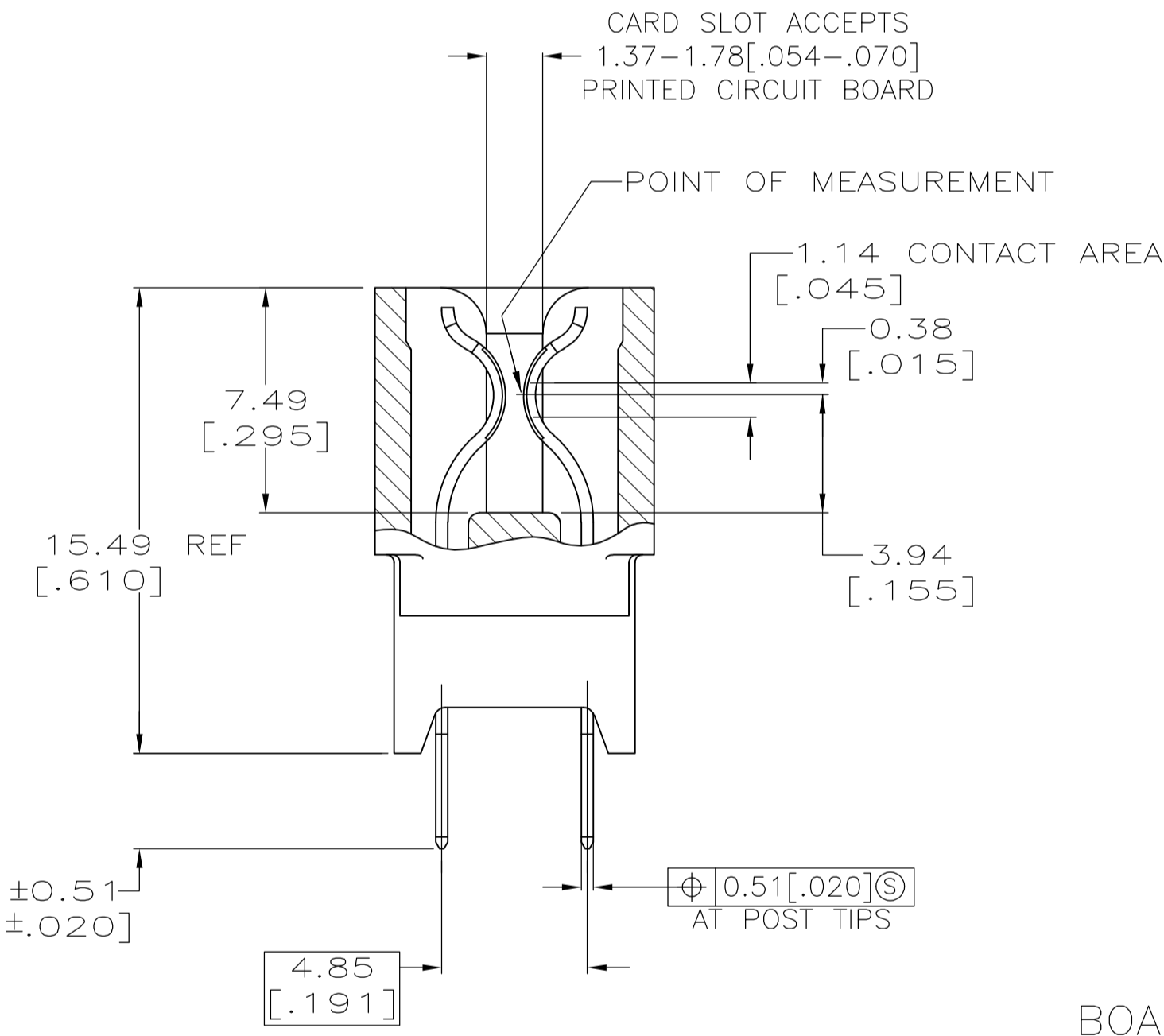
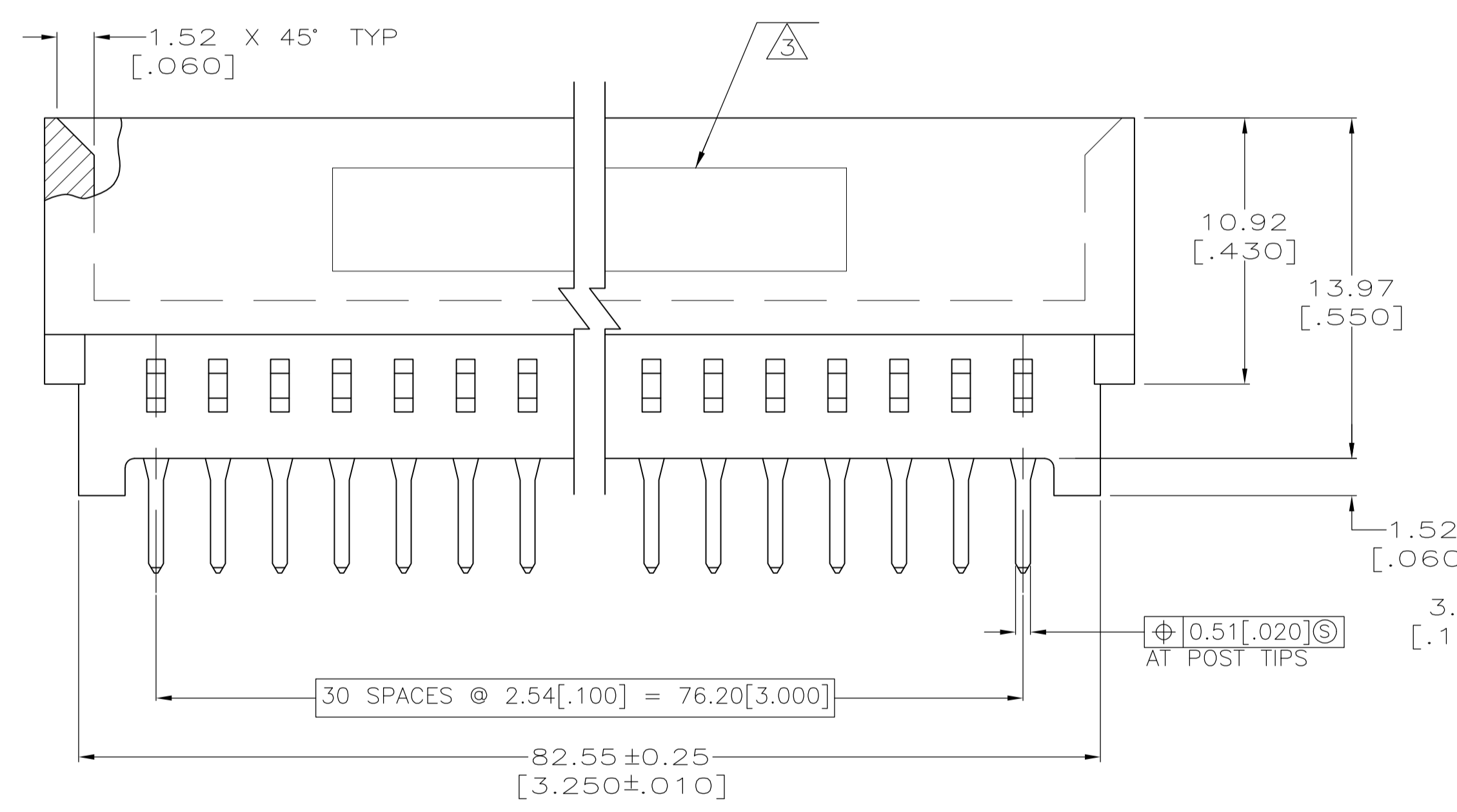
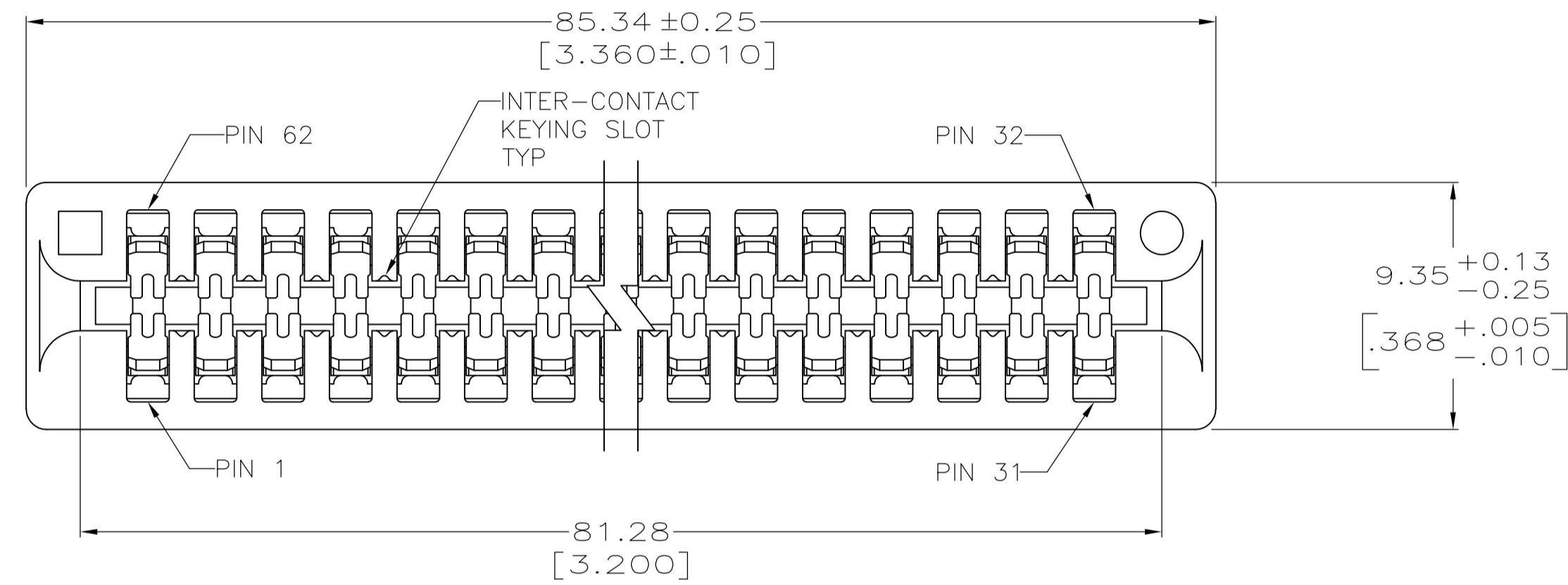


- MATERIAL:
HOUSING: GLASS FILLED POLYESTER; COLOR: BLACK.
CONTACT: PHOS BRONZE
- FINISH:
0.00038[.000015] MIN GOLD PLATE IN CONTACT AREA,
0.00254[.000100] MIN MATTE TIN ON SOLDER POSTS, ALL
OVER 0.00127[.000050] MIN NICKEL
- AMP LOGO, TE PART NUMBER, DATE CODE AND CSA LOGO INK
STAMPED WHITE (HOT STAMPED OR LAZER PRINTED) IN THE APPROXIMATE
AREA SHOWN, EITHER SIDE PERMISSABLE, WHEN HOUSING SIZE PERMITS
- RECOMMENDED PCB FINISHED HOLE DIAMETER = 1.02±0.08
[.040±.003]
- THE RETENTIVE FEATURE OF THIS CONNECTOR IS DESIGNED FOR
FULL SEATING IN 1.57±0.20[.062±.008] THICK CIRCUIT BOARDS.
FOR APPLICATIONS IN BOARDS OF OTHER THICKNESSES, CONTACT
TYCO ELECTRONICS



BOARD RETENTION FEATURE
(SEE TABLE FOR LOCATION)

OBSOLETE	5176138-5
OBSOLETE	5176138-3
OBSOLETE	5176138-1

PART NUMBER

5, 6, 57, 58	31	5176138-2
BOARD RETENTION FEATURE LOCATION	NO OF POSN	PART NUMBER

THIS DRAWING IS A CONTROLLED DOCUMENT.		DWN: AWF/L.A.MAYER 27FEB2008	Tyco Electronics Corporation Harrisburg, PA 17105-3608	
DIMENSIONS: mm [INCHES]		CHK: A.W.FRANTUM 27FEB2008	NAME: S.FLICKINGER 27FEB2008	
TOLERANCES UNLESS OTHERWISE SPECIFIED:		PRODUCT SPEC: 108-1248		
0. PLC ± -		APPLICATION SPEC: 114-13018		
1. PLC ± -		SIZE: A1		
2. PLC ± 0.13[.005]		CAGE CODE: 00779		
3. PLC ± -		DRAWING NO: 5176138		
4. PLC ± -		RESTRICTED TO: -		
ANGLES ± -		CUSTOMER DRAWING		
MATERIAL: SEE NOTE 1		FINISH: SEE NOTE 2		SCALE: 5:1 SHEET 1 OF 1 REV B