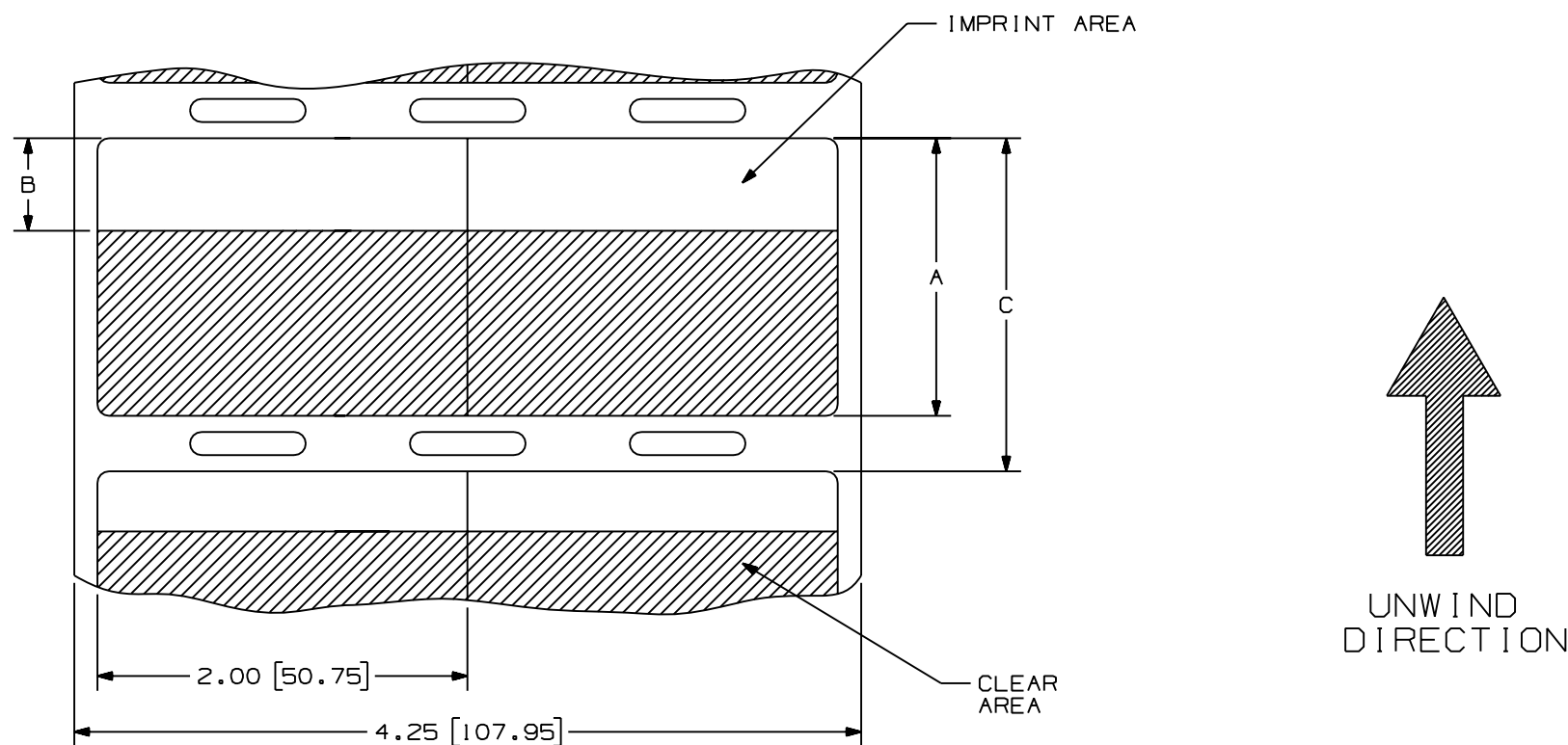


| PART NUMBER | MATERIAL | A HEIGHT | IMPRINT AREA B | VERTICAL REPEAT C | LABELS PER ROW | STANDARD PKG. QTY. |
|--------------|----------|-----------------|------------------------|-------------------|----------------|--------------------|
| S200X225VAT | GMV | 2.250 [57.2] | 0.75 +/- .031 [19.1] | 2.500 [63.5] | 2 | 1000 |
| S200X400VAT | GMV | 4.000 [101.6] | 1.00 +/- .031 [25.4] | 4.250 [108.0] | 2 | 1000 |
| S200X225VATY | GMV | 2.250 [57.2] | 0.75 +/- .031 [19.1] | 2.500 [63.5] | 2 | 1000 |
| S200X400VATY | GMV | 4.000 [101.6] | 1.00 +/- .031 [25.4] | 4.250 [108.0] | 2 | 1000 |



NOTES:
 1. MILLIMETERS ARE IN [].
 2. SEE MFG. DWG. NO. A61157.

CAD FILENAME/LAYERS I00472DL_C10199_S200XNUMVAT_00.PRT

PANDUIT CORP TINLEY PARK, ILLINOIS

OPTIMUM SELF-LAM. S200X***VAT
 THERMAL TRANSFER PRINTABLE LABELS

UNLESS OTHERWISE SPECIFIED,
 DIMENSIONAL TOLERANCES ARE:
 (.X) ± (.XXX) ± .010
 (.XX) ± .03 ANGLES ±

UNLESS OTHERWISE SPECIFIED,
 ALL DIMENSIONS ARE GIVEN IN
 INCHES, THIRD ANGLE PROJECTION

| REV | DATE | BY | CHK | DESCRIPTION | ECN | R | CUST | SUP |
|-----|---------|-----|-----|------------------------|------|---|------|-----|
| 1 | 1-26-07 | RVU | | OBSOLETE THIS DRAWING. | 4858 | R | | |
| 0 | 9-22-04 | RVU | | DRAWING RELEASED. | | R | | |

| | | |
|-----------------|---------------------|-----------------------|
| DRAWN BY RVU | MAT'L: SEE TABLE | SCALE NTS |
| DATE 9-22-04 | | DRAWING NO. C10199 |
| CHK'D | | DWG A SIZE |