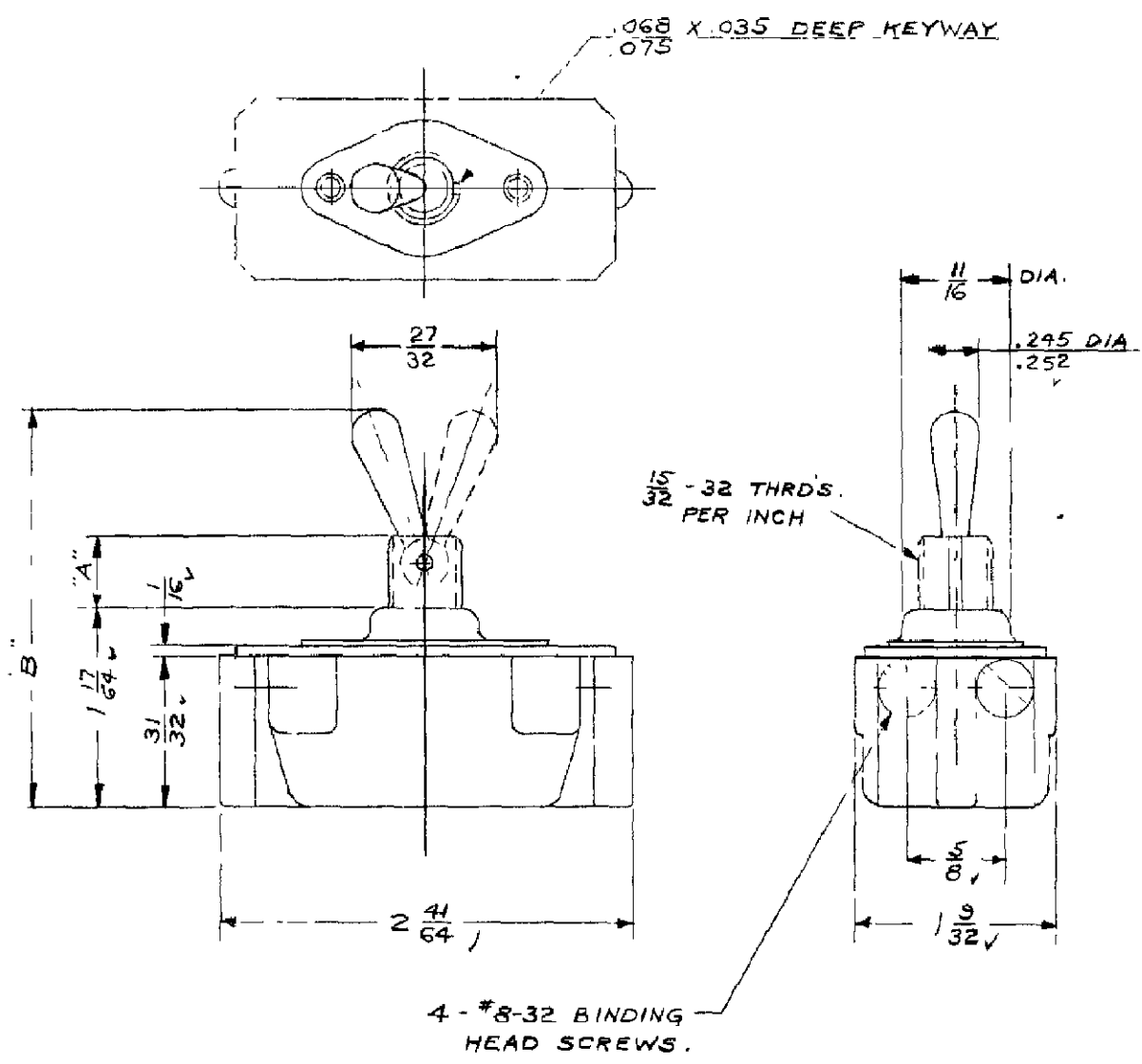


A 90-347

RAW MAT SPEC WITH
PART NO AND AMOUNT REQ D.



7400	15/32	2 35/64
7400	1/32	2 27/64
CAT. NO.	A	B

BULLETIN
DIMENSIONS FOR 20 AMP. 250 V. ONE HOLE MTG. TOOL HANDLE SWITCH

A	27 32 WRS 29 32 .245-.252 WRS 312-.302 DM81-3200-10	GDG 1-15 53	1070 Bck	DR E. B. Leonard J. Raab Geo. J. Munn	9/19/40 10/4/40 10/5/40	FIRST ASSEM. WHERE LISTED D 90-341
B				APP. CMK.		SUP'S. NON-INTERCHANGEABLE
C						SUP D BY NON-INTERCHANGEABLE
D						SURFACE COATING
E						DO NOT SCALE DRAWING. WORK ACCORDING TO DIMENSIONS.
F						STANDARD TOLERANCES 20-375 APPLY TO DIMENSIONS FOR WHICH TOLERANCES ARE NOT SPECIFIED.
				ORDER NO. DEV. 4041-10		SCALE 1"=1"

CUTLER-HAMMER, INC. MILWAUKEE OH NEW YORK

A 90-347