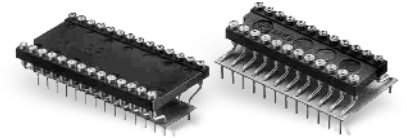




P/Ns 1106396 & 1107254 Row-to-Row DIP Adapter Socket

FEATURES

- Adapter Socket allows the use of 0.300 [7.62] center devices when the PCB is drilled on 0.600 [15.24] centers and vice versa, giving the flexibility of using 0.600 [15.24] or 0.300 [7.62] center devices in the same application.



GENERAL SPECIFICATIONS

- **SOCKET BODY:** Black UL 94V-0 Glass-filled 4/6 Nylon
- **PIN BODY:** Brass 360 1/2-hard per UNS C36000, ASTM B16/B16M
- **PIN BODY PLATING:** 200µ [5.08µ] min. Sn per ASTM B545 Type 1 over 100µ [2.54µ] Ni per SAE AMS-QQ-N-290B
- **4-FINGER COLLET CONTACT:** BeCu per UNS C17200, ASTM B194-08
- **CONTACT PLATING:** 30µ [0.762µ] min. Au per MIL-G-45204 over 50µ [1.27µ] min. Ni per SAE AMS-QQ-N-290
- **CONTACT CURRENT RATING:** 3 amps
- **OPERATING TEMPERATURE:** 221°F [105°C]
- **INSERTION FORCE:** 180g/pin; based on 0.018 [0.46] dia. test lead
- **WITHDRAWAL FORCE:** 90g/pin; based on 0.018 [0.46] dia. test lead
- **NORMAL FORCE:** 140g/pin; based on 0.018 [0.46] dia. test lead
- **ACCEPTS LEADS:** 0.015-0.025 [0.38-0.64] dia., 0.110-0.150 [2.79-3.81] long

ORDERING INFORMATION

**For 0.300 [7.62] DIP to 0.600 [15.24] PCB
1106396-XX**

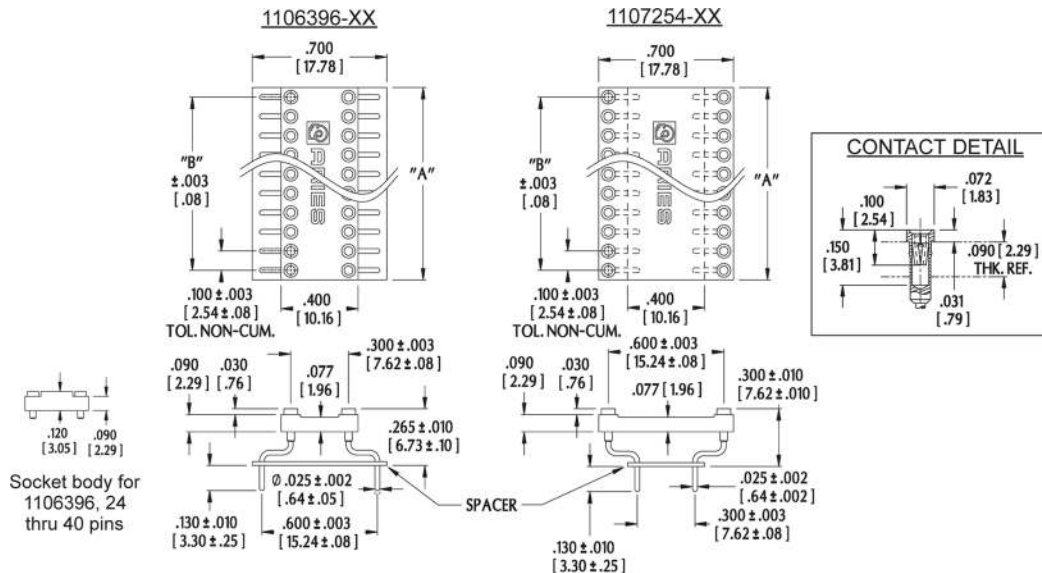
No. of Pins – (6 thru 40)

**For 0.600 [15.24] DIP to 0.300 [7.62] PCB
1107254-XX**

No. of Pins – (6 thru 40)

MOUNTING CONSIDERATIONS

- **SUGGESTED PCB HOLE SIZE:** 0.035 ±0.002 [0.89 ±0.05] dia.



Socket body for
1106396, 24
thru 40 pins

SPACER

ALL DIMENSIONS: INCHES [MILLIMETERS]
ALL TOLERANCES: ±0.005 [0.13] UNLESS OTHERWISE SPECIFIED
 CONSULT FACTORY FOR OTHER SIZES AND CONFIGURATIONS

CUSTOMIZATION: ARIES SPECIALIZES IN CUSTOM DESIGN AND PRODUCTION. SPECIAL MATERIALS, PLATINGS, SIZES, AND CONFIGURATIONS CAN BE FURNISHED, DEPENDING ON QUANTITY.
ARIES RESERVES THE RIGHT TO CHANGE PRODUCT GENERAL SPECIFICATIONS WITHOUT NOTICE
PRINTOUTS OF THIS DOCUMENT MAY BE OUT-OF-DATE AND SHOULD BE CONSIDERED UNCONTROLLED