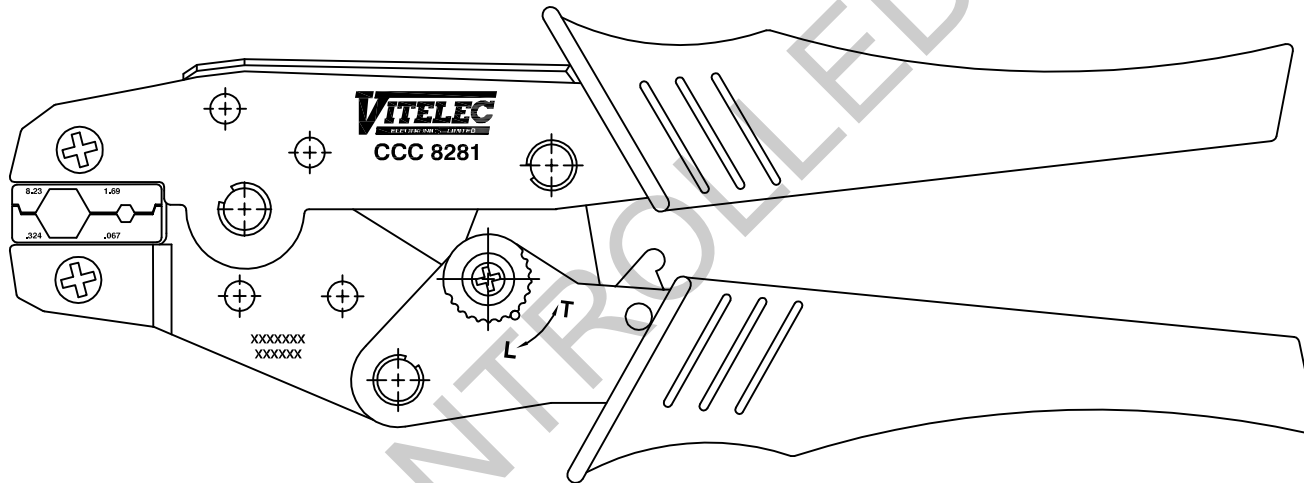
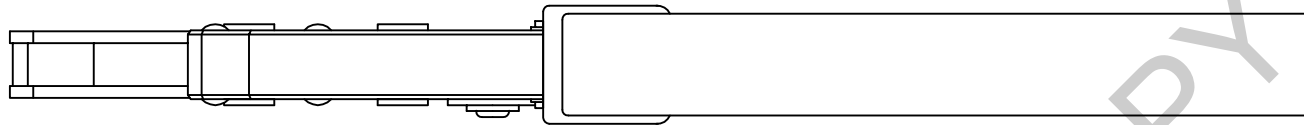


HEX SIZE	
1	8.23±0.05
2	1.69±0.03



**For compatibility see: Compatibility Reference Chart**

First Issue	JT	1	06 Aug 10
DESCRIPTION OF REVISION	APPVD	ISS	DATE



Cinch Connectivity Solutions  
 7-13 Russell Way,  
 Widford Industrial Estate,  
 Chelmsford, Essex,  
 CM1 3AA, UK.  
 Tel: +44 (0) 1245 359515  
 Fax: +44 (0) 1245 358938

SCALE: Not To Scale	DRAWN BY:	Johnson
DIMENSIONS: mm	CHECKED BY:	M Spooner
TOLERANCES: ± 0.2mm unless otherwise stated	APPROVED BY:	M Spooner
	DATE:	06 Aug 10

TITLE:	<b>Crimp Tool</b>
PART NUMBER:	
<b>CCC8281</b>	
PAGE: 1 of 1	

PART NUMBER:	<b>CCC8281</b>
PAGE: 1 of 1	