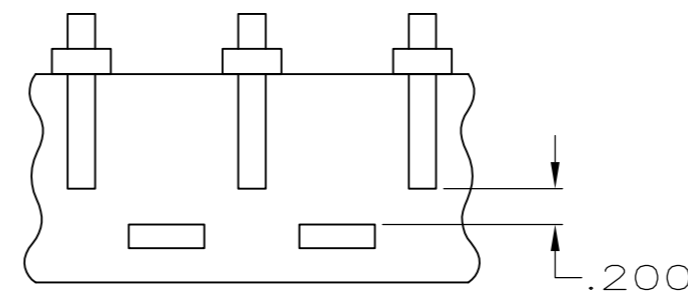
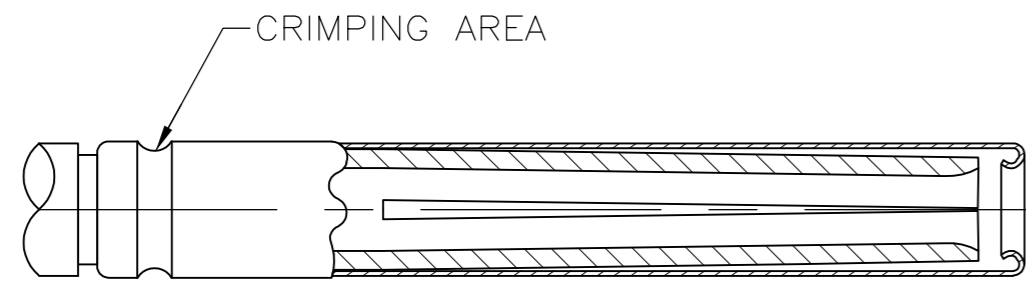


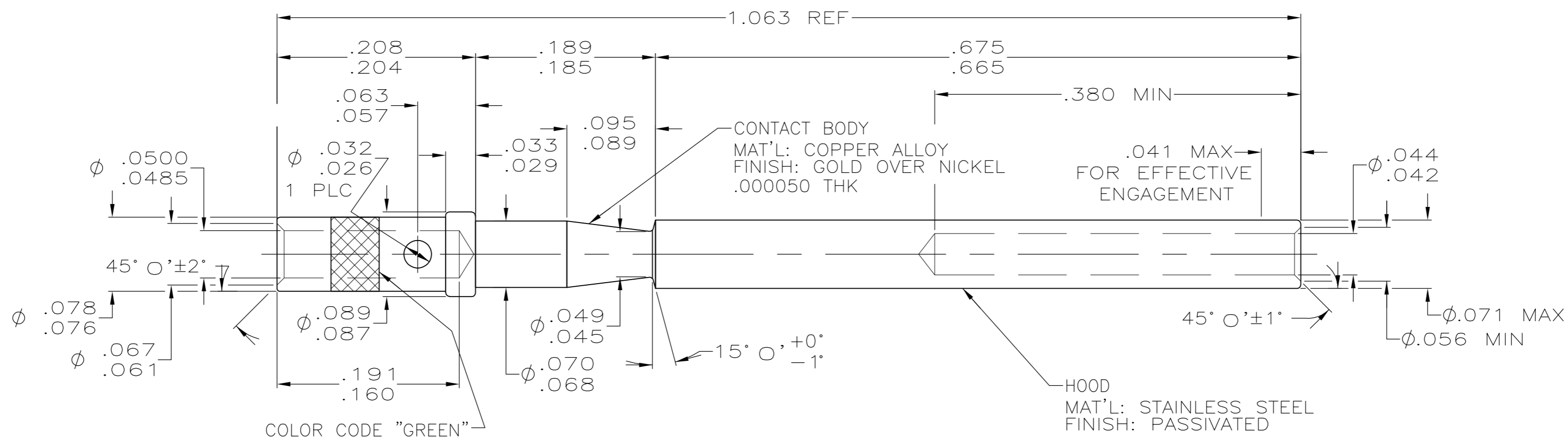
THIS DRAWING IS UNPUBLISHED. RELEASED FOR PUBLICATION
 © COPYRIGHT - By - ALL RIGHTS RESERVED.

LOC		DIST		REVISIONS			
P	LTR	DESCRIPTION	DATE	DWN	APVD		
DF	A0						
	N	REV PER ECO-11-021550	09NOV11	PY	DE		



TAPE MT'D ASS'Y
203841-2 ONLY

ALTERNATE HOOD VIEW



1. WIRE RANGE: 20-24
2. DIMENSIONS APPLY AFTER PLATING.
3. CRIMPING OF HOOD ALLOWABLE AS AN ALTERNATE FORM OF RETENTION.

TAPE MOUNTED	203841-2
LOOSE PIECE	203841-1
REMARKS	PART NUMBER

THIS DRAWING IS A CONTROLLED DOCUMENT.		DWN	C.C.THOMAS	3-12-02		TE Connectivity																	
DIMENSIONS: INCHES		CHK	J.MARKEY	3-12-02		NAME																	
TOLERANCES UNLESS OTHERWISE SPECIFIED:		APVD	J.MARKEY	3-12-02		SOCKET CONTACT, #20 SUB SIZE CRIMP TYPE XV																	
<table border="1"> <tr><td>0 PLC</td><td>±</td><td>-</td></tr> <tr><td>1 PLC</td><td>±</td><td>-</td></tr> <tr><td>2 PLC</td><td>±</td><td>-</td></tr> <tr><td>3 PLC</td><td>±</td><td>.005</td></tr> <tr><td>4 PLC</td><td>±</td><td>-</td></tr> <tr><td>ANGLES</td><td>±</td><td>-</td></tr> </table>		0 PLC	±	-		1 PLC	±	-	2 PLC	±	-	3 PLC	±	.005	4 PLC	±	-	ANGLES	±	-	PRODUCT SPEC	-	
0 PLC	±	-																					
1 PLC	±	-																					
2 PLC	±	-																					
3 PLC	±	.005																					
4 PLC	±	-																					
ANGLES	±	-																					
MATERIAL	SEE CALLOUT	FINISH	SEE CALLOUT	WEIGHT	-	SIZE	A2																
CUSTOMER DRAWING		SCALE		10:1	SHEET	1 OF 1	REV	N															