



## High permeability toroid and ferrite core to reduce common mode noise

Datasheet 3/2019

**APPROVALS:**

**FEATURES**

- Insulation housing included
- FINTR with high permeability

**BENEFITS**

- Easy installation
- Ideal for radiated emission tests for the EN61000-6-4 Standard

**FINTR.(3600 - 14000)**  
**FINFE.13**

**MARKETS**

- Indoor and outdoor applications

**ORDERING CODE**

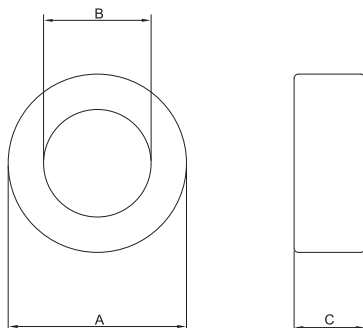
FINTR .4900  
Model  
TR = Toroid Size  
FE = Ferrite

FINTR	Permeability $\mu$
.3600	5000
.4900	10000
.6300	10000
.10000	5500
.14000	5500

**MECHANICAL DIMENSIONS mm**

FINTR	A	B	C	Weight Kg.	Case
.3600	37	22	16	0.04	1
.4900	49	34	16	0.08	1
.6300	63	38	25	0.25	1
.10000	102	66	15	0.36	1
.14000	140	106	25	0.80	1

FINFE	A	B	C	D	Weight Kg.	Case
.13	31	32	13	33	0.1	2

**CASE 1**

**CASE 2**
