

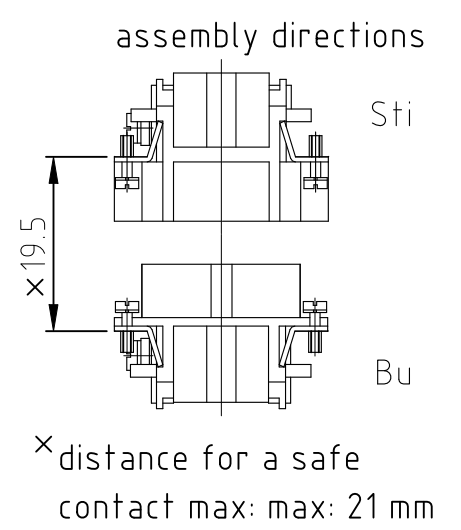
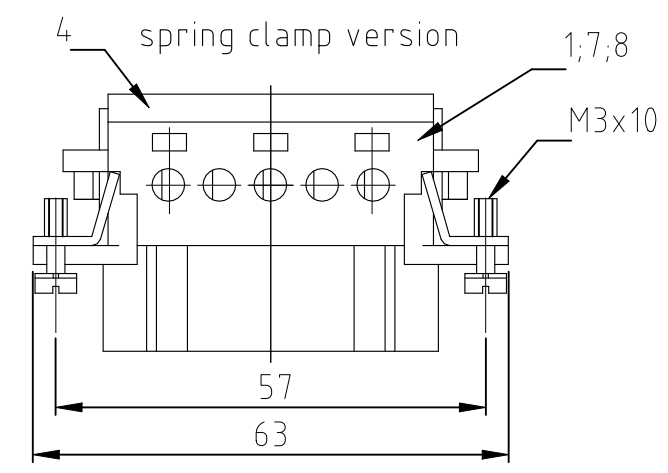
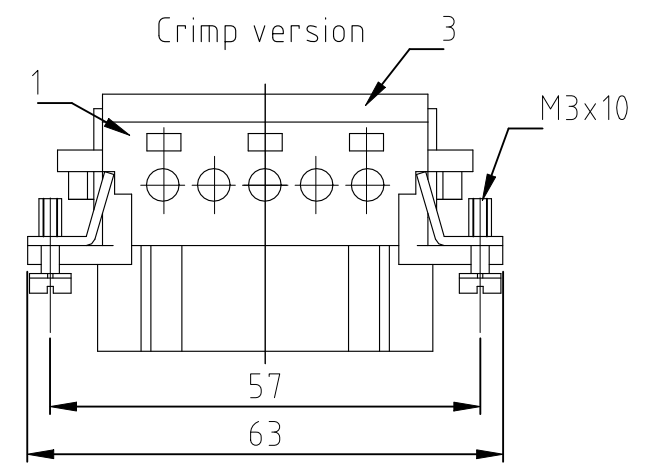
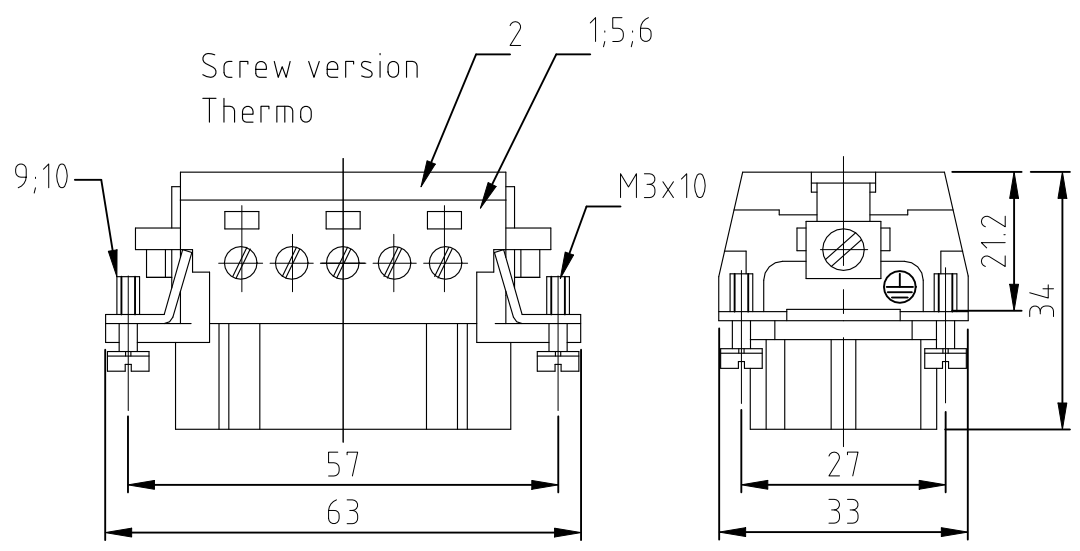
TE Connectivity All Rights Reserved. FREI FÜR VERÖFFENTLICHUNG

ALLE RECHTE VORBEHALTEN

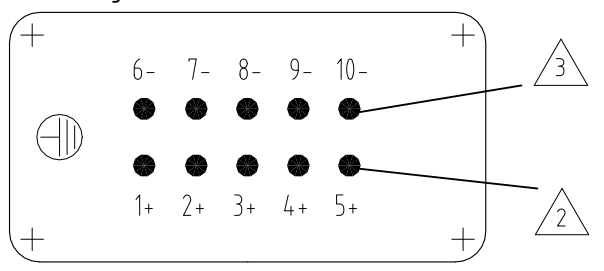
MATED WITH PASSEND ZU: HE.10

REVISIONS AENDERUNGEN

P	LTR	DESCRIPTION BESCHREIBUNG	DATE	DWN	APVD
	A12	ECR-21-123503	06JUL2022	RK	JB

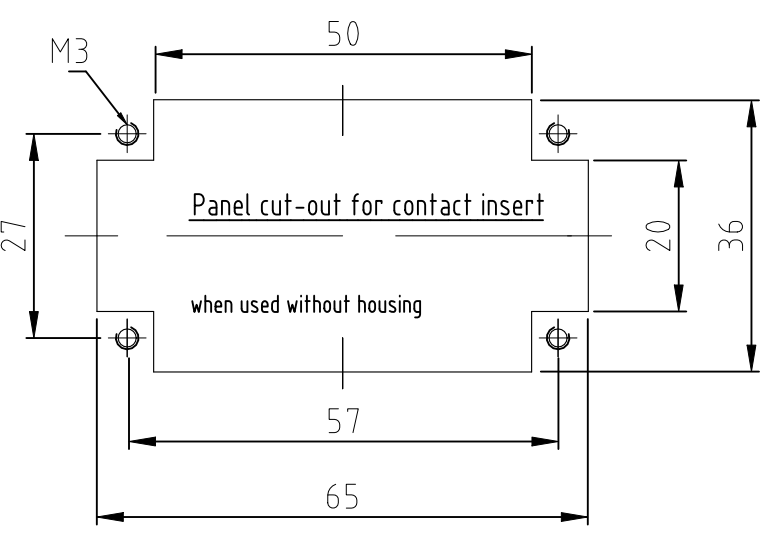
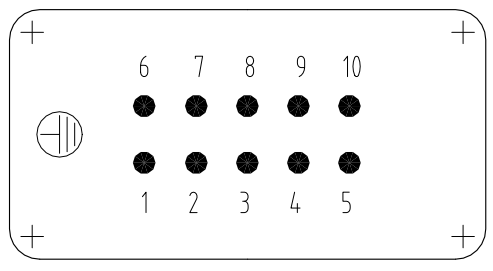


Printing 1-10 Thermo



Contact arrangement view from termination side

Printing 1-10 Screw



NOTES:

- 1 SUITABLE CRIMP CONTACTS: SERIES HE/HA OUTER DIMENSIONS OF INSULATION: MAX. Ø3,2 MM
- SUITABLE HOOD SIZE 4: SERIES HB, HD, HIP-EMV SUITABLE INSERTION AND EXTRACTION TOOL: SCREWDRIVER 0,5x3 DIN 5264
- Strip length: Screw connection 10mm Spring clamp connection 10mm Crimp connection 7.5mm
- STANDARDS: DIN EN 61984; DIN EN 60664-1
- PACKAGING: 5 SETS IN A CARTON, PRE-MOUNTED
- SPECIAL PACKAGING: Krauss-Maffei PACKAGING UNIT: 250 PIECES

OBSOLETE	OBSOLETE	OBSOLETE	OBSOLETE	SUPERSEDED BY T204,0103201-000	SUPERSEDED BY T204,0104201-000	OBSOLETE
		4				
4	4		4	4	4	4
10						
				10		
			10			
	10	10			10	
1				1		
					1	
	1	1	1		1	1
1	1	1	1	1	1	1
0-3	0+2	0-1	9-5	7-1	2-3	1-7
1-1						

DESCRIPTION	MATERIAL	SURFACE	COLOR	ITEM NO. POS.	REMARKS
fixing screw	stainless steel	even		10	M3x10
fixing screw	steel	nickel plated	blue	9	M3x10
contact socket spring clamp	brass	gold plated		8	
contact socket spring clamp	brass	silver plated		7	
contact socket screw version	brass	gold plated		6	
contact socket screw version	brass	silver plated		5	
cover spring clamp version			light grey	4	
cover crimp version			light grey	3	
cover screw version			light grey	2	
socket insert			light grey	1	

THIS DRAWING IS A CONTROLLED DOCUMENT.
DIESE ZEICHNUNG IST EIN KONTROLLIERTES DOKUMENT.

DIMENSIONS: MASSE/NHEITEN: mm

TOLERANCES UNLESS OTHERWISE SPECIFIED: ALLGEMEINTOLERANZEN

0 PLC ± 0.150 0.15 - 0.150
1 PLC ± 0.150 0.15 - 0.150
2 PLC ± 0.150 0.15 - 0.150
3 PLC ± 0.150 0.15 - 0.150
4 PLC ± 0.150 0.15 - 0.150
ANGLES / WINKEL ± -

FINISH/OBERFLAECHE/FARBE

MATERIAL

DWN Gräf 09.02.99
CHK Schweiger 18.02.99
APVD - NAME

PRODUCT SPEC PRODUKTSPEZ.
APPLICATION SPEC VERARBEITUNGSSPEZ.

SIZE A3 CAGE CODE 00779 DRAWING NO ZEICHNUNGS-NR. C-1103637 RESTRICTED TO NUR FUER

CUSTOMER DRAWING/KUNDENZEICHNUNG SCALE MASSTAB 1:1 SHEET BLATT 1 OF VON 1 REV A12