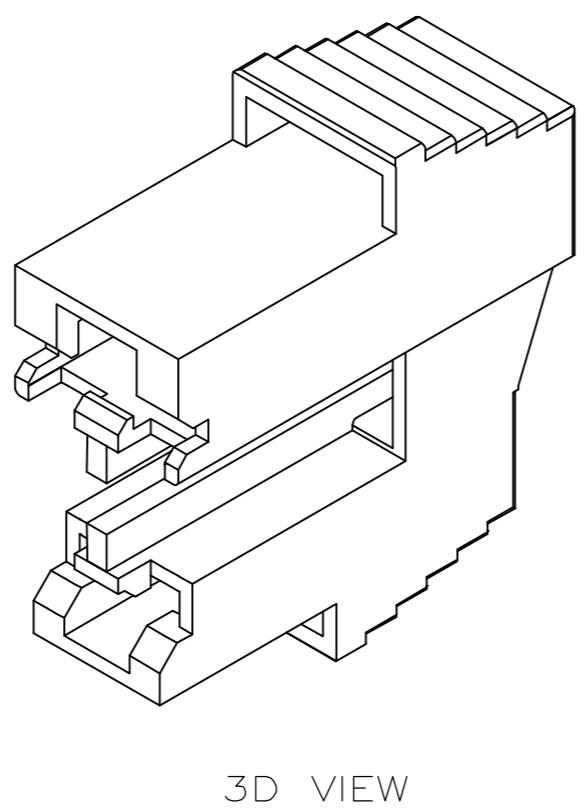
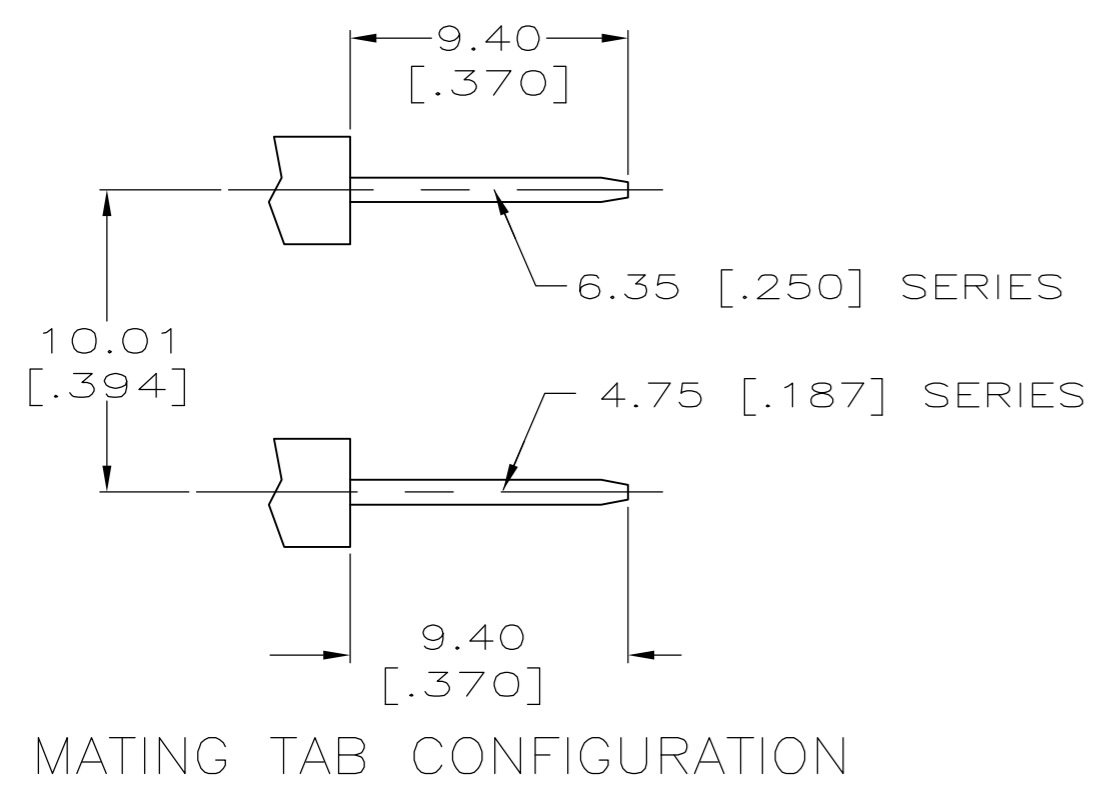
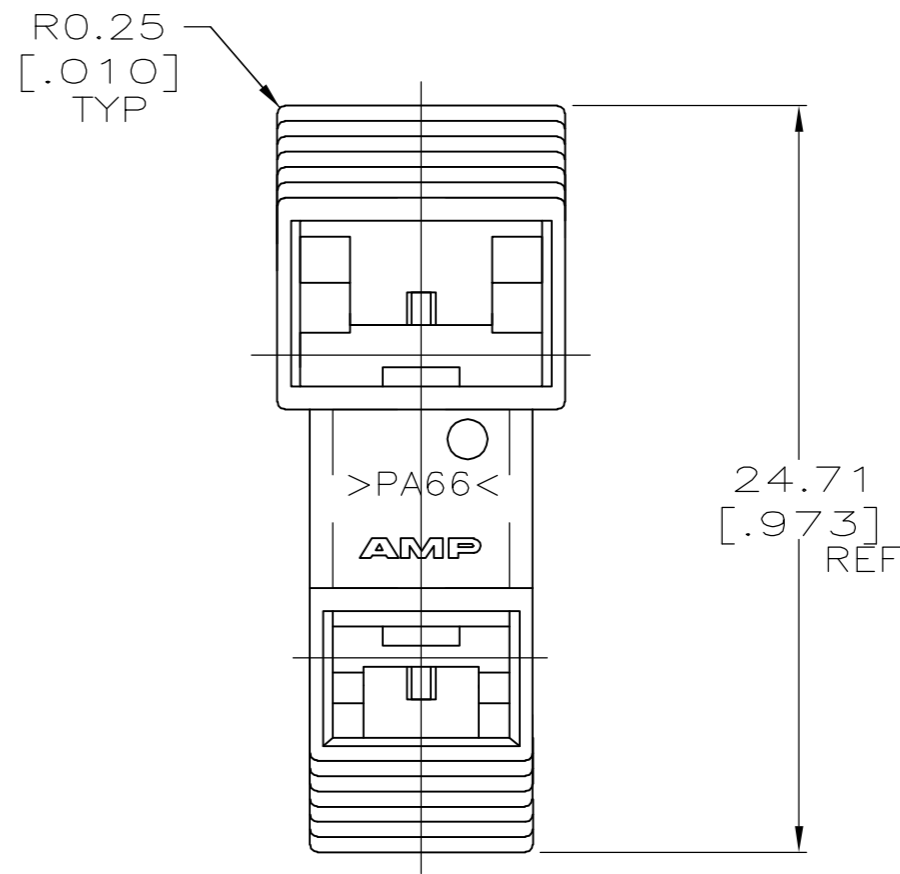
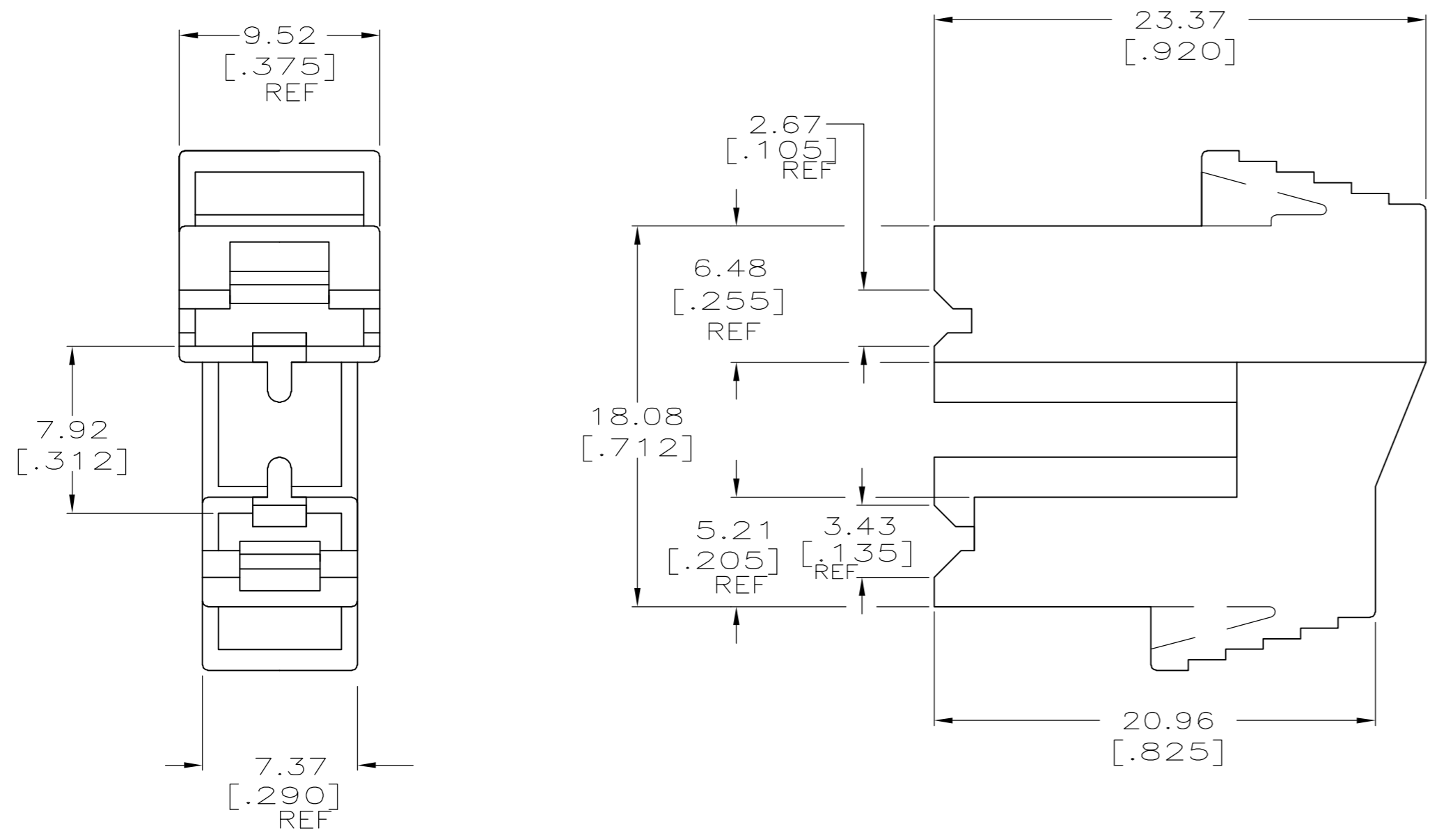


THIS DRAWING IS UNPUBLISHED. RELEASED FOR PUBLICATION
 © COPYRIGHT BY TYCO ELECTRONICS CORPORATION. ALL RIGHTS RESERVED.

LOC	DIST	REVISIONS			
P	LTR	DESCRIPTION	DATE	DWN	APVD
AF	50	A1	REV PER ECR 07-004435	27FEB07	JR PD

- 1 CENTERLINE LOCATION OF MATING TABS MUST BE HELD TO A TOLERANCE OF ± 0.005 TO INSURE PROPER MATING WITH THIS HOUSING.
- 2 PRELIMINARY - NOT FOR PRODUCTION



BLACK	6/6 NYLON, V0	2 521148-2
BLACK	6/6 NYLON	521148-1
FINISH	MATERIAL	PART NO.

THIS DRAWING IS A CONTROLLED DOCUMENT.		DWN	JR RUTH	7/28/97	 Tyco Electronics Corporation Harrisburg, PA 17105-3608
DIMENSIONS: INCHES		CHK	MS FEHER	7/28/97	
TOLERANCES UNLESS OTHERWISE SPECIFIED:		APVD	D BRATINA	7/28/97	
0 PLC	\pm -	NAME		HOUSING, RECEPTACLE, FASTON, 4.75 [.187] & 6.35 [.250] SERIES	
1 PLC	\pm -	PRODUCT SPEC		-	
2 PLC	\pm 0.25 [.010]	APPLICATION SPEC		-	
3 PLC	\pm -	MATERIAL		SIZE	A2
4 PLC	\pm -	FINISH		CAGE CODE	00779
ANGLES	\pm -	MATERIAL		DRAWING NO	C=521148
FINISH	SEE TABLE	WEIGHT		RESTRICTED TO	-
SEE TABLE		CUSTOMER DRAWING		SCALE	4:1
		SHEET		1 OF 1	REV
					A1