

SAC-5P-M12MS/3,0-500 FB - Sensor/actuator cable



1420991

<https://www.phoenixcontact.com/pc/products/1420991>

Please be informed that the data shown in this PDF document is generated from our online catalog. Please find the complete data in the user documentation. Our general terms of use for downloads are valid.



Sensor/actuator cable, 5-position, Plug straight M12, coding: A, on free cable end, cable length: 3 m, with high-grade steel knurl

Your advantages

- Easy and safe: 100% electrically tested plug-in components
- Contamination can be detected quickly – thanks to the light color

Commercial data

Item number	1420991
Packing unit	1 pc
Minimum order quantity	1 pc
Note	Made to order (non-returnable)
Product key	BF1CDA
GTIN	4055626250212
Weight per piece (including packing)	144.15 g
Weight per piece (excluding packing)	135.11 g
Customs tariff number	85444290
Country of origin	PL

1420991

<https://www.phoenixcontact.com/pc/products/1420991>

Technical data

Product properties

Product type	Sensor/actuator cable
Number of positions	5
Application	Food processing industry
No. of cable outlets	1
Shielded	no
Coding	A

Insulation characteristics

Overvoltage category	II
Degree of pollution	3

Material specifications

Material of grip body	PP
Contact material	CuSn
Contact surface material	Ni/Au
Contact carrier material	PP
Material for screw connection	Stainless steel

Electrical properties

Contact resistance	≤ 5 mΩ
Insulation resistance	≥ 100 MΩ
Nominal voltage U_N	48 V AC
	60 V DC
Nominal current I_N	4 A
Protective circuit	unwired

Mechanical properties

Mechanical data

Insertion/withdrawal cycles	≥ 100
-----------------------------	-------

Signaling

Status display	No
Status display present	No

Connector

Connection 1

Type	Plug straight M12
Number of positions	5
Coding type	A
Number of positions	5

SAC-5P-M12MS/3,0-500 FB - Sensor/actuator cable



1420991

<https://www.phoenixcontact.com/pc/products/1420991>

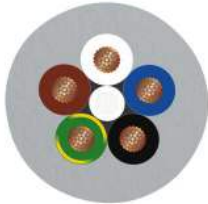
Connection 2

Type	free cable end
------	----------------

Cable/line

Cable length	3 m
--------------	-----

PVC gray [500]

Dimensional drawing	
Cable weight	51 kg/km
UL AWM Style	2464 / 1729 (80°C/300 V)
Number of positions	5
Shielded	no
Cable type	PVC gray [500]
Conductor structure signal line	19x 0.15 mm
AWG signal line	22
Conductor cross section	5x 0.34 mm ² (Signal line)
Wire diameter incl. insulation	1.26 mm ±0.05 mm
External cable diameter	5 mm ±0.15 mm
Outer sheath, material	PVC
External sheath, color	gray RAL 7001
Conductor material	Bare Cu litz wires
Material wire insulation	PVC
Single wire, color	brown, white, blue, black, green-yellow
Thickness, insulation	≥ 0.23 mm (Core insulation)
Thickness, outer sheath	≥ 0.76 mm
Overall twist	5 wires around filler to the core
Max. conductor resistance	max. 57 Ω/km (at 20 °C)
Insulation resistance	≥ 200 MΩ*km (at 20 °C)
Nominal voltage, cable	≤ 300 V
Test voltage	≥ 3000 V
Minimum bending radius, fixed installation	5 x D
Minimum bending radius, flexible installation	10 x D
Flame resistance	As per UL-Style 2464
Ambient temperature (operation)	-40 °C ... 80 °C (cable, fixed installation) -25 °C ... 80 °C (Cable, flexible installation)

Environmental and real-life conditions

SAC-5P-M12MS/3,0-500 FB - Sensor/actuator cable



1420991

<https://www.phoenixcontact.com/pc/products/1420991>

Ambient conditions

Degree of protection	IP65
	IP67
	IP68
	IP69K
Ambient temperature (operation)	-25 °C ... 90 °C (Plug / socket)

Standards and regulations

M12

Standard designation	M12 connector
Standards/specifications	IEC 61076-2-101

SAC-5P-M12MS/3,0-500 FB - Sensor/actuator cable

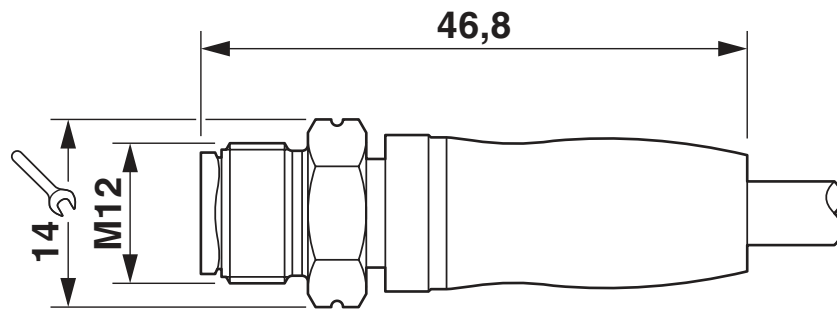


1420991

<https://www.phoenixcontact.com/pc/products/1420991>

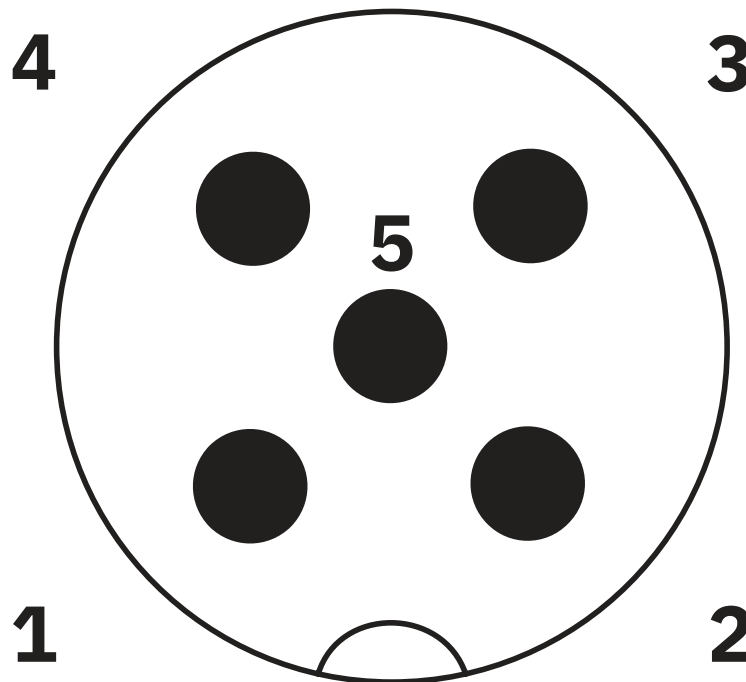
Drawings

Dimensional drawing



Plug, M12 x 1, straight

Schematic diagram



Pin assignment M12 male connector, 5-pos., A-coded, male side

SAC-5P-M12MS/3,0-500 FB - Sensor/actuator cable



1420991

<https://www.phoenixcontact.com/pc/products/1420991>

Circuit diagram



SAC-5P-M12MS/3,0-500 FB - Sensor/actuator cable





1420991


<https://www.phoenixcontact.com/pc/products/1420991>

Approvals

To download certificates, visit the product detail page: <https://www.phoenixcontact.com/pc/products/1420991>

 UL Listed Approval ID: FILE E 221474				
	Nominal voltage U_N	Nominal current I_N	Cross section AWG	Cross section mm^2
	48 V	4 A	-	-

 cUL Listed Approval ID: FILE E 221474				
	Nominal voltage U_N	Nominal current I_N	Cross section AWG	Cross section mm^2
	48 V	4 A	-	-

 EAC-RoHS Approval ID: RU D-DE.HB35.B.00385	
---	--

cULus Listed

SAC-5P-M12MS/3,0-500 FB - Sensor/actuator cable



1420991

<https://www.phoenixcontact.com/pc/products/1420991>

Classifications

ECLASS

ECLASS-11.0	27060311
ECLASS-12.0	27060311
ECLASS-13.0	27060311

ETIM

ETIM 8.0	EC001855
----------	----------

UNSPSC

UNSPSC 21.0	26121600
-------------	----------

SAC-5P-M12MS/3,0-500 FB - Sensor/actuator cable



1420991

<https://www.phoenixcontact.com/pc/products/1420991>

Environmental product compliance

REACH SVHC	Dechlorane Plus
China RoHS	Environmentally friendly use period: unlimited = EFUP-e
	No hazardous substances above threshold values

SAC-5P-M12MS/3,0-500 FB - Sensor/actuator cable



1420991

<https://www.phoenixcontact.com/pc/products/1420991>

Accessories

TSD 04 SAC - Torque screwdriver

1208429

<https://www.phoenixcontact.com/pc/products/1208429>



Torque screwdriver, with preset torque of 0.4 Nm and 4 mm hexagonal drive for M12 connectors

TSD-M 1,2NM - Torque screwdriver

1212224

<https://www.phoenixcontact.com/pc/products/1212224>



Torque screw driver, accuracy as per EN ISO 6789 standard, adjustable from 0.3 - 1.2 Nm

SAC-5P-M12MS/3,0-500 FB - Sensor/actuator cable



1420991

<https://www.phoenixcontact.com/pc/products/1420991>

TSD-M SAC-BIT ADAPTER - Adapter insert

1212600

<https://www.phoenixcontact.com/pc/products/1212600>



Adapter bit for TSD-M...torque tools, E6.3-1/4" drive with 4 mm hexagon to accommodate SAC bits

SAC BIT M12-W14 - Tool

1212513

<https://www.phoenixcontact.com/pc/products/1212513>



Nut for assembling sensor/actuator cables with M12 connector and M12 connectors for assembly, with a hexagonal knurl wrench size of 14 mm, with 4 mm hexagonal drive

SAC-5P-M12MS/3,0-500 FB - Sensor/actuator cable



1420991

<https://www.phoenixcontact.com/pc/products/1420991>

CUTFOX-S VDE - Diagonal cutter

1212207

<https://www.phoenixcontact.com/pc/products/1212207>



Diagonal cutter for hard (piano wire) and soft wires, VDE 1000 V AC/1500 V DC tested

WIREFOX SAC - Stripping tool

1212623

<https://www.phoenixcontact.com/pc/products/1212623>



Stripping pliers, for halogen-free sensor/actuator cables (SAC cables), with PUR and PVC insulation, from Ø of 4.4 to 7 mm, any stripping length

SAC-5P-M12MS/3,0-500 FB - Sensor/actuator cable



1420991

<https://www.phoenixcontact.com/pc/products/1420991>

WIREFOX 10 - Stripping tool

1212150

<https://www.phoenixcontact.com/pc/products/1212150>



Stripping tool, for cables and conductors from 0.02 - 10 mm², self-adjusting, stripping length of up to 18 mm, cutting capacity of up to 10 mm² stranded/1.5 mm² solid, replaceable stripping blade

Phoenix Contact 2023 © - all rights reserved

<https://www.phoenixcontact.com>

PHOENIX CONTACT GmbH & Co. KG

Flachsmarktstraße 8

D-32825 Blomberg

+49 (0) 5235-3 00

info@phoenixcontact.com