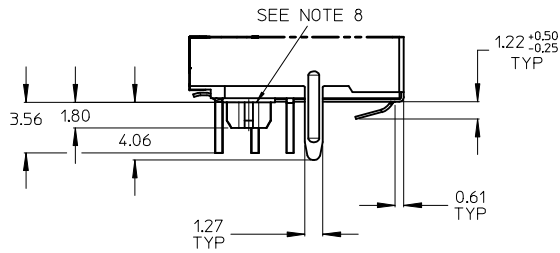
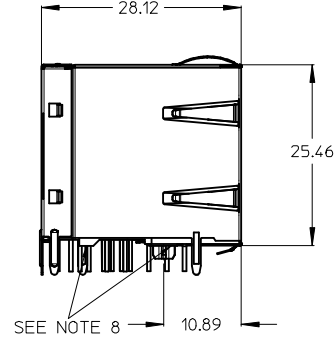


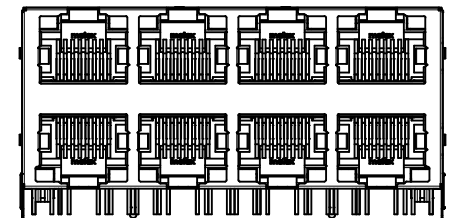
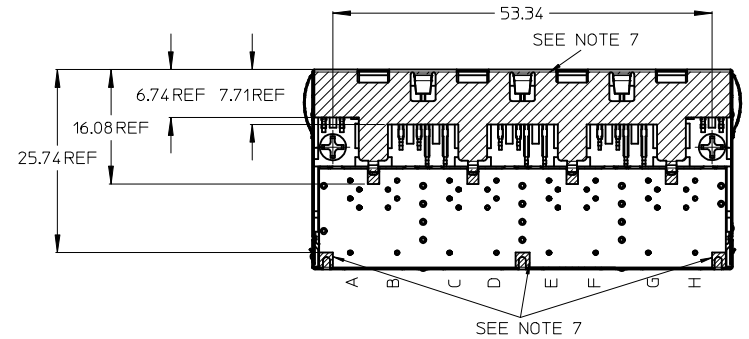
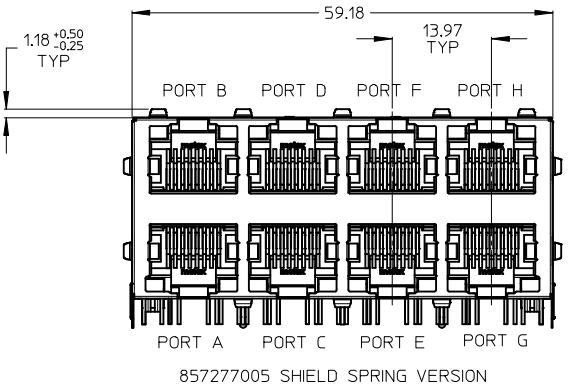
**FAST ETHERNET MAGNETIC JACK 2x4 LED
WITH AND WITHOUT SHIELD SPRINGS
MINIMUM 500V ISOLATION BETWEEN
ETHERNET SIGNALS AND SHIELD**



**DETAIL-4
SCALE 4:1**

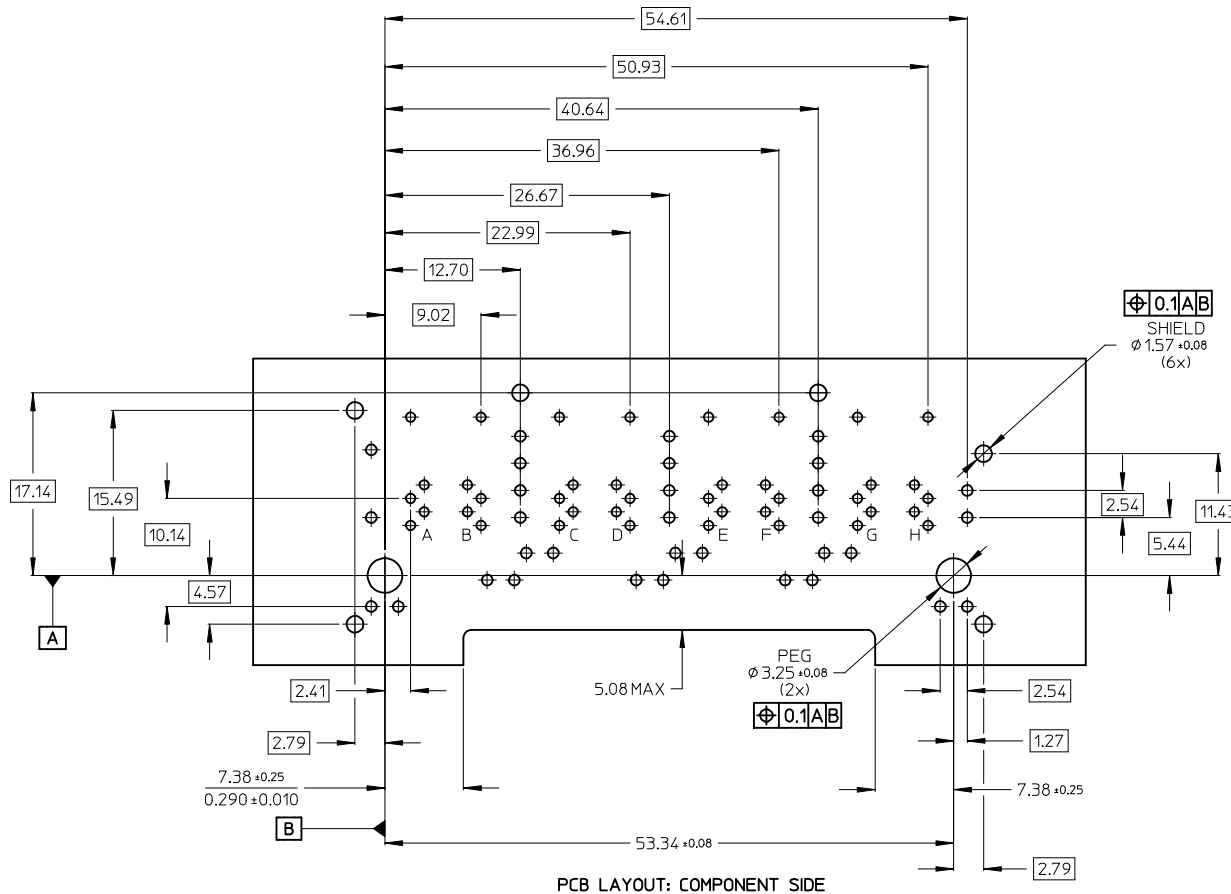
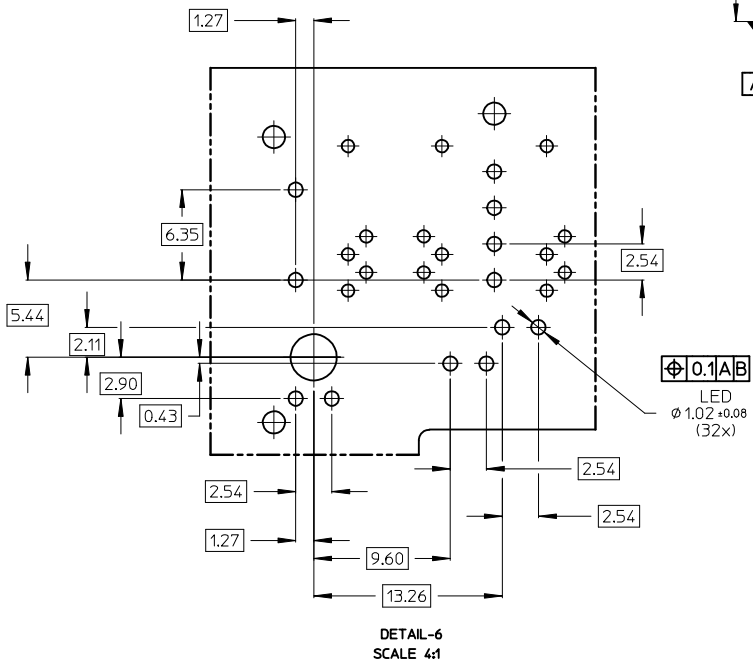
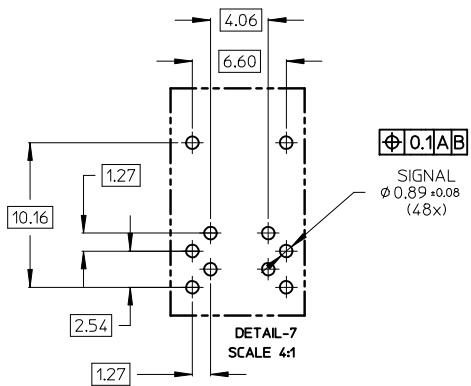
NOTES:

- 1 - SHIELD MATERIAL: BRASS; PLATING: NICKEL PRE-PLATING
- 2 - PLASTIC MATERIAL: POLYESTER (PBT)BLACK, 30%GR, UL 94V-0
- 3 - TERMINALS MATERIAL: COPPER ALLOY
RJ45 CONTACT AREA PLATING: 0.76 MICROMETER GOLD OVER 1.9 MICROMETER NICKEL
SOLDER TERMINALS: 3 MICROMETER TIN
- 4 - MATING INTERFACE ACCORDING TO IEC 60603-7
- 5 - PRODUCT SPECIFICATION: PS-85727-001
FOR FURTHER INFORMATION ON MAGNETICS AND LED FUNCTION REFER TO THIS SPECIFICATION
- 6 - PACKAGING SPECIFICATION: PK-85727-001
- 7 - TRACES WITHOUT INSULATION NOT ALLOWED IN THE DASHED AREAS.
(TO AVOID SHORTS TO SHIELD)
- 8 - STAND OFF TO SYSTEM BOARD

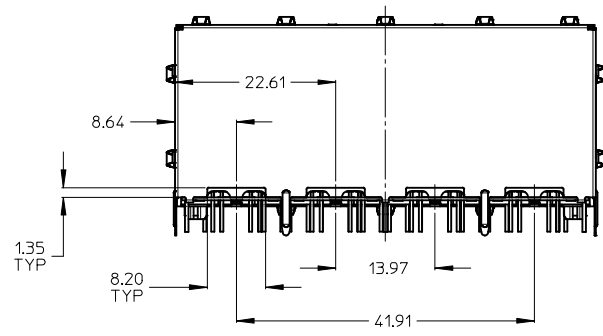
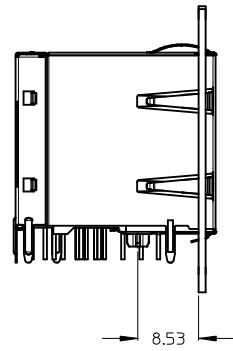
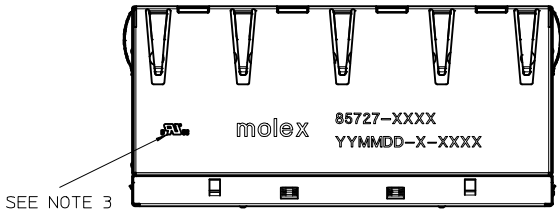
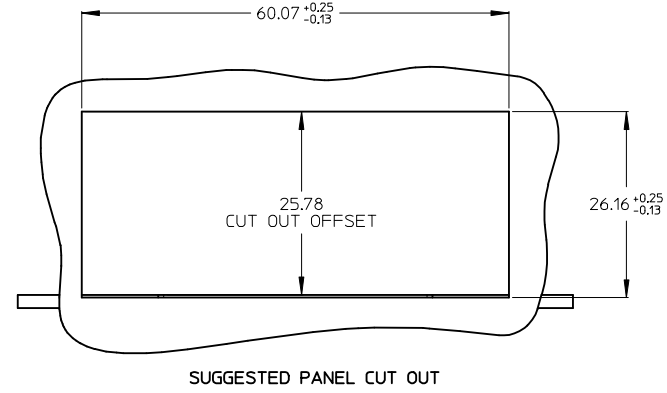
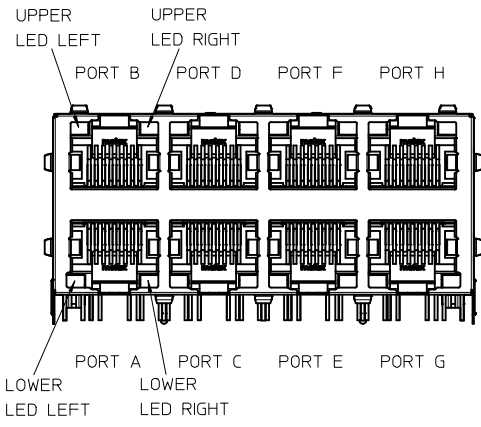


857278005 NO SHIELD SPRING VERSION

VIEW / TEXT ADDED	EC NO: B	DRWN: JBADER	2015/12/17	QUALITY SYMBOLS	GENERAL TOLERANCES (UNLESS SPECIFIED) 4 PLACES ± --- ± --- 3 PLACES ± --- ± --- 2 PLACES ± 0.25 ± --- 1 PLACE ± 0.5 ± --- 0 PLACE ± --- ± --- ANGULAR ± .5 ° DRAFT WHERE APPLICABLE MUST REMAIN WITHIN DIMENSIONS	DIMENSION STYLE		SCALE	DESIGN UNITS	THIRD ANGLE PROJECTION FAST ETHERNET MAGNETIC JACK GND ISOLATION 2X4 LED molex	SHEET NO. 1 OF 4
	MM ONLY		2:1			METRIC					
	DRAWN BY: MMANGARUDOV		DATE: 2014/06/10			TITLE					
	CHECKED BY: JBADER		DATE: 2014/07/31								
APPROVED BY: SSTEINKE		DATE: 2016/01/19		MATERIAL NO.		DOCUMENT NO.		SD-85727-705			
SIZE: A2		THIS DRAWING CONTAINS INFORMATION THAT IS PROPRIETARY TO MOLEX INCORPORATED AND SHOULD NOT BE USED WITHOUT WRITTEN PERMISSION									



INCH DIM DELETED	EC NO:	2015/12/17	QUALITY SYMBOLS	GENERAL TOLERANCES (UNLESS SPECIFIED)	DIMENSION STYLE	SCALE	DESIGN UNITS	THIRD ANGLE PROJECTION
	DRWN: JBADER	2015/12/17	▽=0	m/m	MM ONLY	3:1	METRIC	
	CHKD: MMANGARUDOV	2015/12/17	▽=0	INCH				
	APPR: SSTEINKE	2016/01/19		4 PLACES ± --- ± ---	DRAWN BY	DATE	TITLE	
				3 PLACES ± --- ± ---	MMANGARUDOV	2014/06/10	FAST ETHERNET MAGNETIC JACK GND ISOLATION 2X4 LED	
			2 PLACES ± 0.25 ± ---	CHECKED BY	DATE			
			1 PLACE ± 0.5 ± ---	0 PLACE ± --- ± ---	JBADER	2014/07/31	molex	
				APPROVED BY	DATE			
				ANGULAR ± .5 °	SSTEINKE	2016/01/19		
				DRAFT WHERE APPLICABLE MUST REMAIN WITHIN DIMENSIONS	MATERIAL NO.		DOCUMENT NO.	
					SEE SHEET 3		SD-85727-705	
					SIZE A2	THIS DRAWING CONTAINS INFORMATION THAT IS PROPRIETARY TO MOLEX INCORPORATED AND SHOULD NOT BE USED WITHOUT WRITTEN PERMISSION		SHEET NO. 2 OF 4

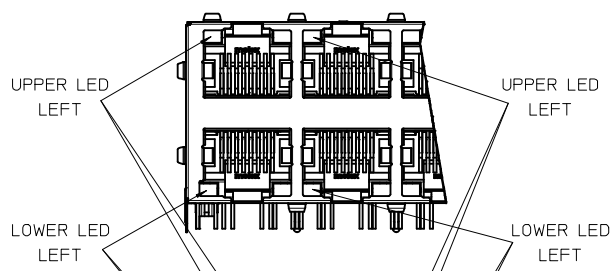


PART NUMBER	UPPER & LOWER LED LEFT	UPPER & LOWER LED RIGHT
85727-7005	GREEN	YELLOW
85727-8005	GREEN	YELLOW
NO SPRINGS		

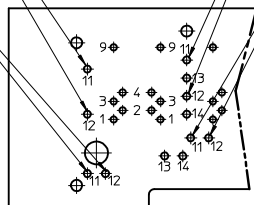
ADDITIONAL LED COLOURS AND CONFIGURATIONS AVAILABLE ON REQUEST

- NOTED:
 1 - PRINTING MARKED BY LASER
 2 - INSCRIPTION:
 1st LINE: PART NUMBER
 2nd LINE: DATE CODE (YEAR,MONTH,DAY) - MANUFACTURER ID - COSECUTIVE NUMBER
 3 - UL LOGO

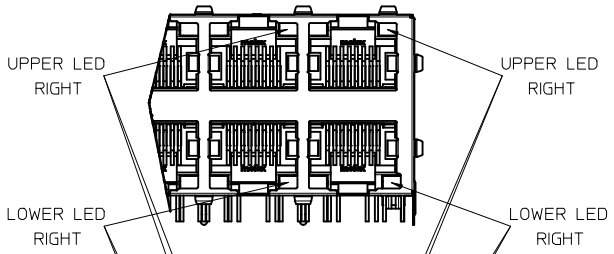
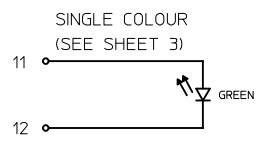
P/N ADDED EC NO: 2015/12/17 DRWN: JBADER CHKD: MMANGARUDOV APPR: SSTEINKE 2015/12/17 2016/01/19	QUALITY SYMBOLS ▽=0 ▽=0	GENERAL TOLERANCES (UNLESS SPECIFIED)		DIMENSION STYLE MM ONLY		SCALE 2:1	DESIGN UNITS METRIC	THIRD ANGLE PROJECTION
				DRAWN BY MMANGARUDOV	DATE 2014/06/10	TITLE FAST ETHERNET MAGNETIC JACK GND ISOLATION 2X4 LED		
				CHECKED BY JBADER	DATE 2014/07/31	molex		
				APPROVED BY SSTEINKE	DATE 2016/01/19	MATERIAL NO. SEE BOM	DOCUMENT NO. SD-85727-705	
		ANGULAR ± .5 °		DRAFT WHERE APPLICABLE MUST REMAIN WITHIN DIMENSIONS		THIS DRAWING CONTAINS INFORMATION THAT IS PROPRIETARY TO MOLEX INCORPORATED AND SHOULD NOT BE USED WITHOUT WRITTEN PERMISSION		



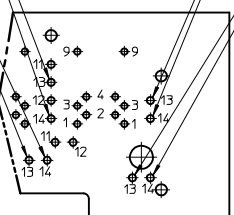
UPPER & LOWER LEFT LED	
PIN POSITION	GREEN
11	+
12	-



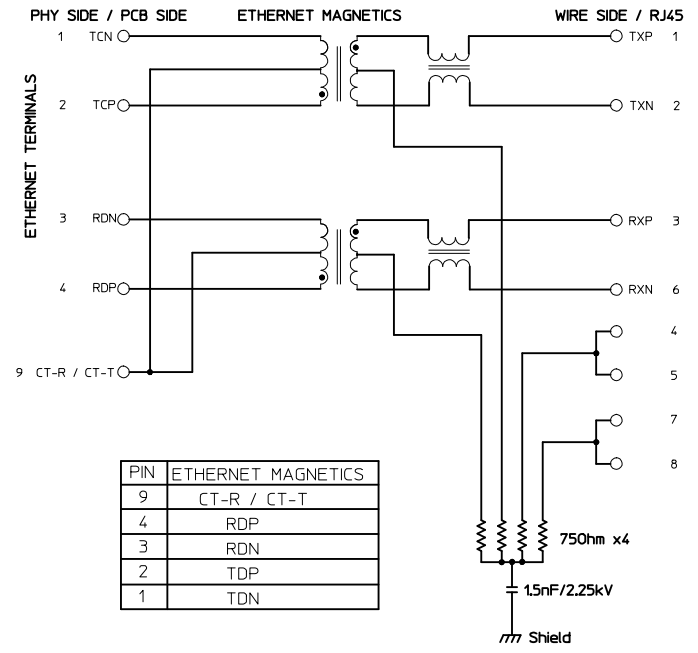
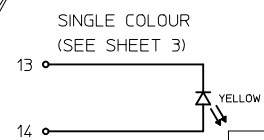
COMPONENT VIEW



UPPER & LOWER RIGHT LED	
PIN POSITION	YELLOW
13	-
14	+



COMPONENT VIEW



PIN	ETHERNET MAGNETICS
9	CT-R / CT-T
4	RDP
3	RDN
2	TDP
1	TDN

NOTE UPDATED IEC NO: 2015/12/17 DRAWN: JBADER 2015/12/17 CHKD:MMANGARUDOV 2015/12/17 APPR:SSSTEINKE 2016/01/19 REV:	QUALITY SYMBOLS ▼=0 ▽=0	GENERAL TOLERANCES (UNLESS SPECIFIED) <table border="1"> <thead> <tr> <th></th> <th>mm</th> <th>INCH</th> </tr> </thead> <tbody> <tr> <td>4 PLACES</td> <td>± ---</td> <td>± ---</td> </tr> <tr> <td>3 PLACES</td> <td>± ---</td> <td>± ---</td> </tr> <tr> <td>2 PLACES</td> <td>± 0.25</td> <td>± ---</td> </tr> <tr> <td>1 PLACE</td> <td>± 0.5</td> <td>± ---</td> </tr> <tr> <td>0 PLACE</td> <td>± ---</td> <td>± ---</td> </tr> </tbody> </table>		mm	INCH	4 PLACES	± ---	± ---	3 PLACES	± ---	± ---	2 PLACES	± 0.25	± ---	1 PLACE	± 0.5	± ---	0 PLACE	± ---	± ---	DIMENSION STYLE MM ONLY	SCALE 2:1	DESIGN UNITS METRIC	THIRD ANGLE PROJECTION
		mm	INCH																					
	4 PLACES	± ---	± ---																					
	3 PLACES	± ---	± ---																					
2 PLACES	± 0.25	± ---																						
1 PLACE	± 0.5	± ---																						
0 PLACE	± ---	± ---																						
MATERIAL NO.	DRAWN BY MMANGARUDOV	DATE 2014/06/10	TITLE FAST ETHERNET MAGNETIC JACK GND ISOLATION 2X4 LED	SHEET NO. 4 OF 4	DOCUMENT NO. SD-85727-705																			
DRAFT WHERE APPLICABLE MUST REMAIN WITHIN DIMENSIONS	SEE SHEET 3	APPROVED BY SSTEINKE	DATE 2016/01/19	THIS DRAWING CONTAINS INFORMATION THAT IS PROPRIETARY TO MOLEX INCORPORATED AND SHOULD NOT BE USED WITHOUT WRITTEN PERMISSION																				
ANGLAR ± .5 °																								