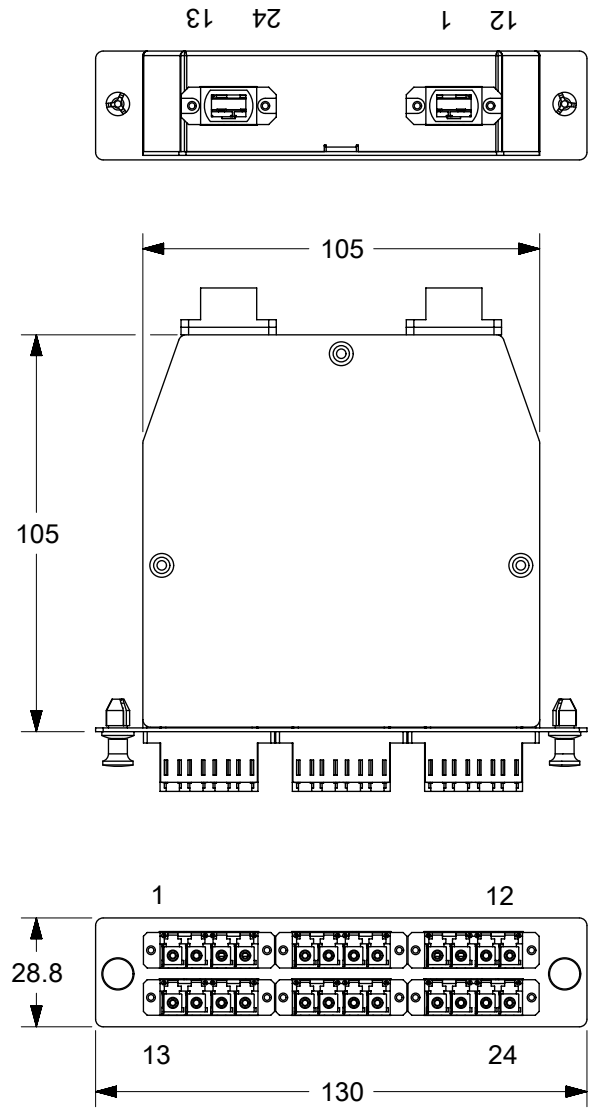
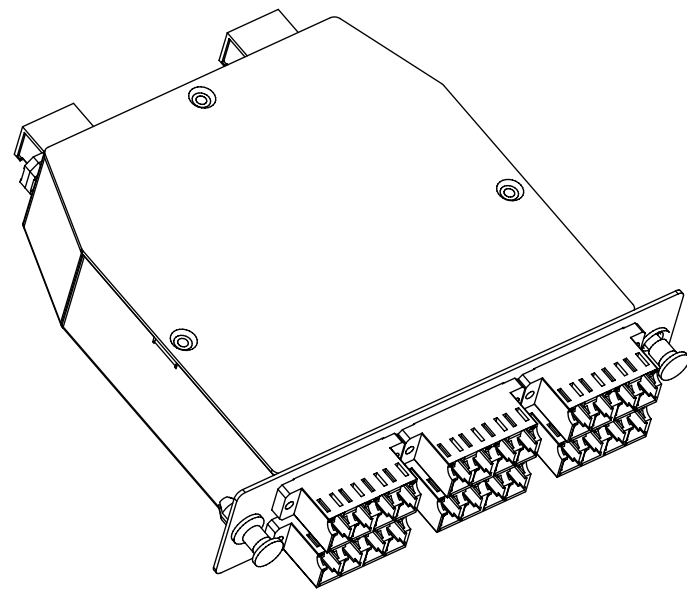


P/N	Fiber Type	Adapter color	Fan-out Type	
			MPO Conn.	LC Conn.
1064810120	SM/G657A	Blue	Male/APC	PC
1064810122	MM-OM3	Aqua	Male/PC	
1064810124	MM-OM4			



NOTES:

1. MATERIAL: SPCC.
2. FINISH: POWDER COATING.
3. COLOR: BLACK.
4. DIMENSION: 130x105x28.8mm.
5. WEIGHT: 295gm.
6. DUST CAPS ARE NOT SHOWN IN DRAWING.

1. Product Optical Specification

Item	Parameters	Note	Min.	Typ.	Max.	Unit
1	Operating Wavelength <sup>1</sup>	Single-Mode	1310 / 1550		nm	
		Multi-Mode	850		nm	
2	Insertion Loss <sup>1,2</sup> (MPO side)	Single-Mode Elite			0.35	dB
		Multi-Mode Elite			0.35	
3	Insertion Loss <sup>1,2</sup> (Fan-out side)	Single-Mode PC			0.20	dB
		Multi-Mode PC			0.30	
4	Return Loss <sup>1,2</sup> (MPO side)	Single-Mode	60			dB
		Multi-Mode	N/A			
5	Return Loss <sup>1,2</sup> (Fan-out side)	Single-Mode PC	50			dB
		Multi-Mode PC	N/A			
6	Operating Temperature	---	-20		70	°C

Note:

1. Single-mode loss test to be performed at 1310nm and 1550nm. Multimode loss test to be performed at 850nm. IL and RL must be tested at room temperature. (Multimode RL testing is not required.)
2. Consistent optical performance for multimode (flat protruded polish) and single-mode (Angled protruded polish).

2. Product Channel Identification Table

BACK #1 MPO (1-12)	TOP ROW PANEL	BACK MPO (1-12) PORT	P1	P2	P3	P4	P5	P6	P7	P8	P9	P10	P11	P12
		FRONT LC PORT	P1	P2	P3	P4	P5	P6	P7	P8	P9	P10	P11	P12
		FIBER COLOR	BL	OR	GR	BR	SL	WH	RD	BK	YL	VI	RO	AQ
BACK #2 MPO (1-12)	BOTTOM ROW PANEL	BACK MPO (1-12) PORT	P1	P2	P3	P4	P5	P6	P7	P8	P9	P10	P11	P12
		FRONT LC PORT	P13	P14	P15	P16	P17	P18	P19	P20	P21	P22	P23	P24
		FIBER COLOR	BL	OR	GR	BR	SL	WH	RD	BK	YL	VI	RO	AQ

PENDING APPROVAL

SYMBOLS	THIS DRAWING CONTAINS INFORMATION THAT IS PROPRIETARY TO MOLEX ELECTRONIC TECHNOLOGIES, LLC AND SHOULD NOT BE USED WITHOUT WRITTEN PERMISSION		CURRENT REV DESC:		
	DIMENSION UNITS	SCALE	EC NO: 178536 DRWN: IGUMIN CHK'D: APPR:		
▽ = 0	mm	1:2	2018/06/29		METAL 2(1X12) LGX CASSETTE WITH 6PCS LC QUAD ADAPTER  PRODUCT CUSTOMER DRAWING
▽ = 0	GENERAL TOLERANCES (UNLESS SPECIFIED)		INITIAL REVISION:		
▽ = 0	ANGULAR TOL ± °		DRWN: IGUMIN APPR:		DOCUMENT NUMBER
▽ = 0	4 PLACES ±		2018/06/29		1064810120
▽ = 0	3 PLACES ±		DRAFT WHERE APPLICABLE MUST REMAIN WITHIN DIMENSIONS		DOC TYPE
▽ = 0	2 PLACES ±		THIRD ANGLE PROJECTION		PSD
▽ = 0	1 PLACE ±		DRAWING		DOC PART
▽ = 0	0 PLACES ±		SERIES		001
▽ = 0	DRAFT WHERE APPLICABLE MUST REMAIN WITHIN DIMENSIONS		MATERIAL NUMBER		REVISION
▽ = 0	THIRD ANGLE PROJECTION		CUSTOMER		A
▽ = 0	DRAWING		SHEET NUMBER		1 OF 1
▽ = 0	B-SIZE		SEE TABLE		

DOCUMENT STATUS	RQ	RELEASE DATE
-----------------	----	--------------