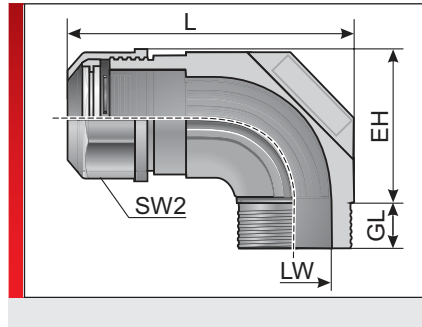


Type KW 90° (conduit fitting)



Conduit fitting m-tec

PRODUCT INFORMATION

The angled KW 90° conduit fittings with plastic threading are made from specially modified polyamide. The materials are halogen, phosphor and cadmium-free. The KW 90° conduit fittings feature the following advantages:

- No parts can get lost, delivered completely assembled
- Tightness of IP 65 for static and dynamic

application

- Integrated clamping ring ensures high tear-out strength
- Easy insertion of the cables through rounded inside bend

Specification:

- UL listed E 148958
- EN 45545-2:2013 3x HL3

SPECIFICATIONS

- Fitting: Mod. polyamide PA 6
Clamping ring Polyoxymethylene (POM)
- IP 65
- 40 – 110 °C transient / short term
140 °C
- V0 self-extinguishing

| Type | Order No. | Colour | Connecting thread | Suitable for Murrflex | EH mm | L mm | GL mm | LW mm | SW 2 mm | Pack qty. |
|-----------------------------|-----------|--------|-------------------|-----------------------|-------|-------|-------|-------|---------|-----------|
| Metric thread | | | | | | | | | | |
| KW-M16x1,5/9 ¹⁾ | 83565050 | Black | M16x1,5 | M12/P09 | 27.00 | 47.00 | 7.50 | 9.50 | 22.00 | 50 |
| KW-M20x1,5/11 ¹⁾ | 83565052 | Black | M20x1.5 | M16/P11 | 29.00 | 51.00 | 8.00 | 13.00 | 24.00 | 50 |
| KW-M25x1,5/16 ¹⁾ | 83565054 | Black | M25x1.5 | M20/P16(S) | 35.00 | 56.00 | 10.00 | 16.00 | 30.00 | 50 |
| KW-M32x1,5/21 ¹⁾ | 83565056 | Black | M32x1.5 | M25/P21(S) | 41.00 | 67.00 | 12.00 | 22.00 | 38.00 | 25 |
| KW-M40x1.5/29 ¹⁾ | 83565058 | Black | M40x1.5 | M32/P29(S) | 53.00 | 82.00 | 12.00 | 28.00 | 46.00 | 25 |
| Pg threads | | | | | | | | | | |
| KW-Pg 09 ¹⁾ | 83561050 | Black | Pg 09 | M12/P09 | 27.00 | 45.00 | 7.50 | 9.50 | 22.00 | 50 |
| KW-Pg 11 ¹⁾ | 83561052 | Black | Pg 11 | M16/P11 | 29.00 | 51.00 | 8.00 | 13.00 | 24.00 | 50 |
| KW-Pg 13/16 ¹⁾ | 83561054 | Black | Pg 13.5 | M20/P16(S) | 35.00 | 56.00 | 10.00 | 16.00 | 30.00 | 50 |
| KW-Pg 16 ¹⁾ | 83561056 | Black | Pg 16 | M20/P16(S) | 35.00 | 56.00 | 10.00 | 16.00 | 30.00 | 50 |
| KW-Pg 21 ¹⁾ | 83561058 | Black | Pg 21 | M25/P21(S) | 41.00 | 67.00 | 11.00 | 22.00 | 38.00 | 25 |
| KW-Pg 29 ¹⁾ | 83561060 | Black | Pg 29 | M32/P29(S) | 53.00 | 82.00 | 12.00 | 29.00 | 46.00 | 25 |
| Grey variants | | | | | | | | | | |
| KW-Pg 09 ¹⁾ | 83561010 | Grey | Pg 09 | M12/P09 | 27.00 | 45.00 | 7.50 | 9.50 | 22.00 | 50 |
| KW-Pg 11 ¹⁾ | 83561012 | Grey | Pg 11 | M16/P11 | 29.00 | 51.00 | 8.00 | 13.00 | 24.00 | 50 |
| KW-Pg 13/16 ¹⁾ | 83561014 | Grey | Pg 13.5 | M20/P16(S) | 35.00 | 56.00 | 10.00 | 16.00 | 30.00 | 50 |
| KW-Pg 16 ¹⁾ | 83561016 | Grey | Pg 16 | M20/P16(S) | 35.00 | 56.00 | 10.00 | 16.00 | 30.00 | 50 |

Type KW 90° (conduit fitting)

| Type | Order No. | Colour | Connecting thread | Suitable for Murrflex | EH mm | L mm | GL mm | LW mm | SW 2 mm | Pack qty. |
|--------------------------|-----------|--------|-------------------|-----------------------|-------|-------|-------|-------|---------|-----------|
| KW-Pg 21 ¹⁾ | 83561018 | Grey | Pg 21 | M25/P21(S) | 41.00 | 67.00 | 11.00 | 22.00 | 38.00 | 25 |
| KW-Pg 29 ¹⁾ | 83561020 | Grey | Pg 29 | M32/P29(S) | 53.00 | 82.00 | 12.00 | 29.00 | 46.00 | 25 |
| NPT thread | | | | | | | | | | |
| KW-3/8"/11 ¹⁾ | 83561451 | Black | 3/8" | M16/P11 | 29.00 | 51.00 | 8.00 | 13.00 | 24.00 | 50 |
| KW-1/2"/16 ¹⁾ | 83561450 | Black | 1/2" | M20/P16(S) | 35.00 | 56.00 | 10.00 | 16.00 | 30.00 | 50 |
| KW-3/4"/21 ¹⁾ | 83561452 | Black | 3/4" | M25/P21(S) | 41.00 | 67.00 | 11.00 | 21.00 | 38.00 | 25 |
| KW-1"/29 ¹⁾ | 83561454 | Black | 1" | M32/P29(S) | 53.00 | 82.00 | 12.00 | 27.00 | 46.00 | 25 |
| KW-3/8"/11 ¹⁾ | 83561411 | Grey | 3/8" | M16/P11 | 29.00 | 51.00 | 8.00 | 13.00 | 24.00 | 50 |
| KW-1/2"/16 ¹⁾ | 83561410 | Grey | 1/2" | M20/P16(S) | 35.00 | 56.00 | 10.00 | 16.00 | 30.00 | 50 |
| KW-3/4"/21 ¹⁾ | 83561412 | Grey | 3/4" | M25/P21(S) | 41.00 | 67.00 | 11.00 | 21.00 | 38.00 | 25 |
| KW-1"/29 ¹⁾ | 83561414 | Grey | 1" | M32/P29(S) | 53.00 | 82.00 | 12.00 | 27.00 | 46.00 | 25 |

¹⁾ With cURus- approval

MATERIAL PROPERTIES



Fitting: Mod. polyamide PA 6
Clamping ring Polyoxymethylene (POM)

MECHANICAL PROPERTIES



Protection class
IP 65

THERMAL PROPERTIES



Temperature / temperature range
-40 – 110 °C transient / short term 140 °C

FIRE BEHAVIOUR



Fire classification
V0 self-extinguishing

Fire properties as per EN 45545-2: 2009

C.I.T. R22 / R23 HL3 = 0,43
LOI R22 / R23 HL3 = 33,8 %
Ds (max.) R23 HL3 63

APPROVALS AND OPERATING PERMITS



Railway EU approval



cURus approval

TECHNICAL INFORMATION



Halogen-free

Type KW 90° (conduit fitting)

CONFORMITY

 **RoHS (EC Directive 2002/95/EC)**

GENERAL INFORMATION

 **Made in Germany**

All details given in our sales material prospectuses and catalogues as well as the information available online are based on our current knowledge of the products described.

The electronic data and files made available by Murrplastik, particularly CAD files are based on our current knowledge of the product described.

A legally binding assurance of certain properties or the suitability for a certain purpose can not be determined from this information.

All information with respect to the chemical and physical properties of Murrplastik products as well as application advice given verbally, in writing or by tests, is given to the best of our knowledge.

This does not free the purchaser of carrying out their own inspections and tests in order to determine the suitability of a product for a specific purpose.

Murrplastik accepts no responsibility for the available information being up-to-date, correct or complete. Neither do we accept responsibility for the quality of this information.

Murrplastik accepts no liability for damage caused as a result of using our products.

Murrplastik reserves the right to make technical changes and improvements through constant further development of products and services.

Our General Terms and Conditions apply.

© Murrplastik Systemtechnik GmbH • proID_65283~20160908~890283~suv_kw_90