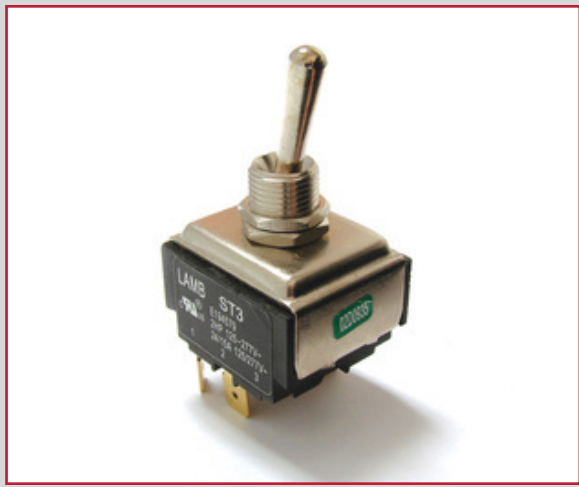


ST3 SERIES TOGGLE SWITCH

ANTI-VANDAL SWITCHES
DETECTOR SWITCHES
DIP SWITCHES
KEYLOCK SWITCHES
NAVIGATION SWITCHES
PUSHBUTTON SWITCHES
ROCKER SWITCHES
ROTARY SWITCHES
SLIDE SWITCHES
SNAP ACTION SWITCHES
TACTILE SWITCHES
TOGGLE SWITCHES
CAP OPTIONS



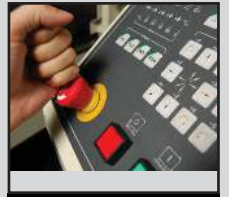
APPLICATIONS / MARKETS



Floor Care Appliances



Commercial Appliances



Industrial Controls



Medical / Dental



HVAC



Vending Machines

RoHS

SPECIFICATIONS

Rating: 24A 125VAC [cULus]
15A 277VAC [cULus]
2.0HP 125-277VAC [cULus]

Electrical Life: 6,000 cycles

Contact Resistance: 50mΩ Max.

Insulation Resistance: 2MΩ Min. at 500VDC for 1 Minute

Dielectric Strength: 1,000VAC for 1 Minute

Operating Temperature: 0°C to 85°C

Storage Temperature: -20°C to 85°C

Mounting Nut Torque: 0.6Nm~1.0Nm

FEATURES & BENEFITS

- Heavy duty rating with UL approvals
- Many functions available
- Tab, screw, and solder terminal options
- Soldered wire leads (500mm long) optional

PART NUMBER CONFIGURATOR

Series



ST3 - 3 Pole

Terminal



1 - 4.8mm Tabs
2 - Solder
4 - 6.3mm Tabs
6 - Screw
W - Wire Leads
500mm long

Function



R - 3 Pole Off - On
S - 3 Pole On - On
T - 3 Pole On - Off - On

Rating



E - 24A 125VAC

Actuator Type



0 - Standard Bat

Bushing Type



0 - M12 x 1.0

Specifications subject to change without notice 2.16.2022



E-SWITCH®

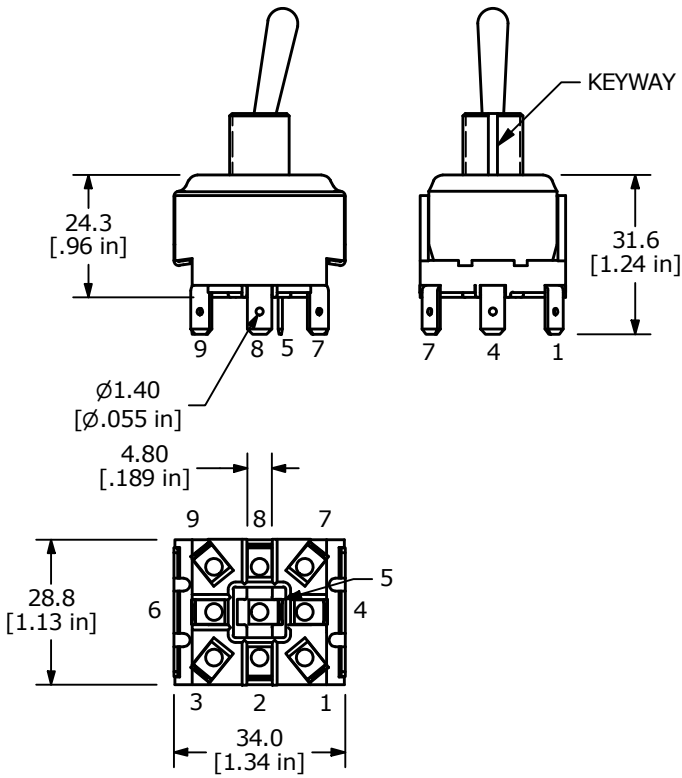
www.e-switch.com

800.867.2717

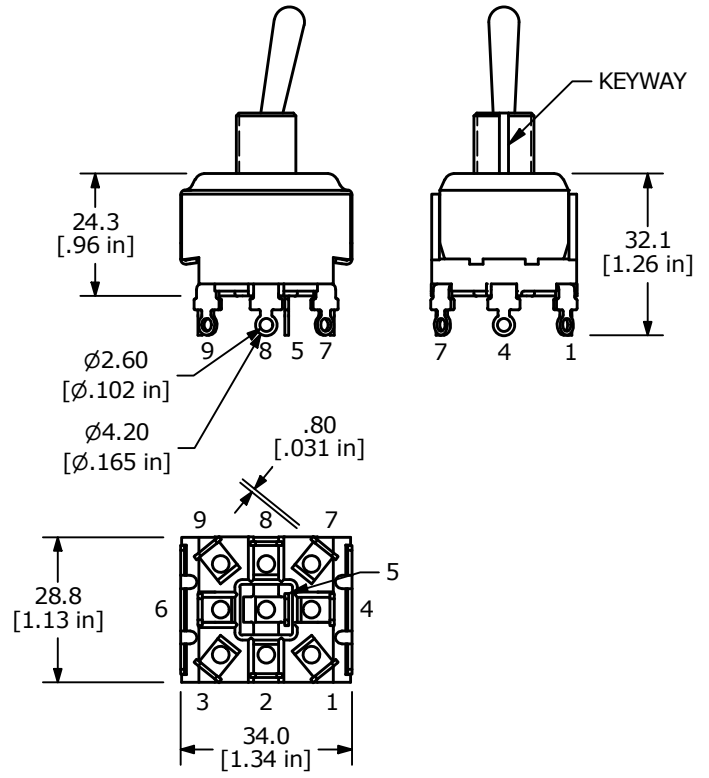
1

ST3 SERIES TOGGLE SWITCH

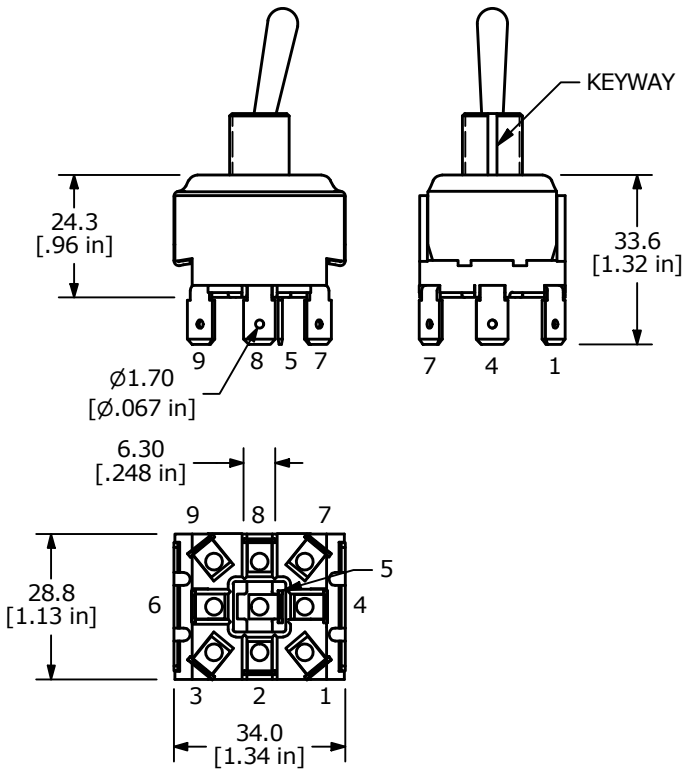
TERMINAL OPTIONS



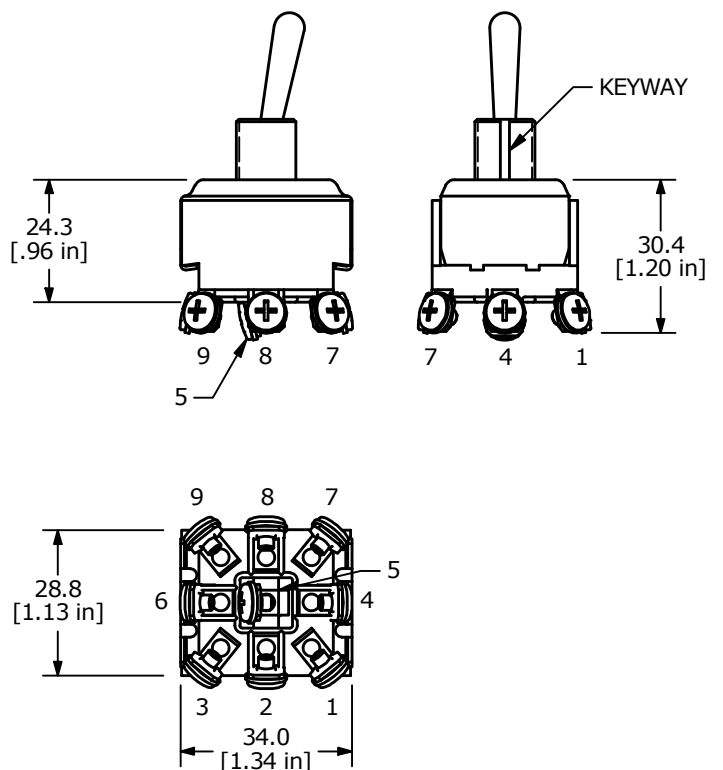
1 = 4.8mm TABS



2 = SOLDER



4 = 6.3mm TABS



6 = SCREW

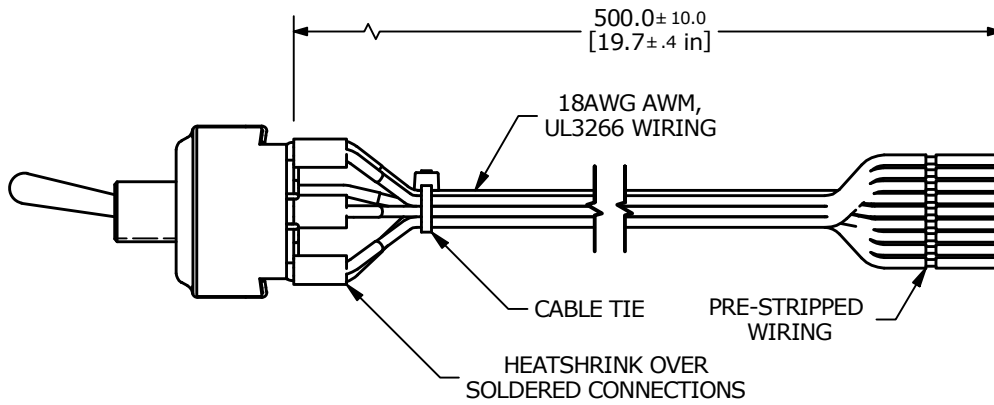


ST3 SERIES TOGGLE SWITCH

TERMINAL OPTIONS (CONTINUED)

SWITCH	WIRE	LENGTH
SW1-1	WIRE, 18AWG AWM UL3266, GREEN	500.0 [19.7 in]
SW1-2	WIRE, 18AWG AWM UL3266, PINK	500.0 [19.7 in]
SW1-3	WIRE, 18AWG AWM UL3266, YELLOW	500.0 [19.7 in]
SW1-4	WIRE, 18AWG AWM UL3266, RED	500.0 [19.7 in]
SW1-5	WIRE, 18AWG AWM UL3266, WHITE	500.0 [19.7 in]
SW1-6	WIRE, 18AWG AWM UL3266, BLUE	500.0 [19.7 in]
SW1-7	WIRE, 18AWG AWM UL3266, BLACK	500.0 [19.7 in]
SW1-8	WIRE, 18AWG AWM UL3266, ORANGE	500.0 [19.7 in]
SW1-9	WIRE, 18AWG AWM UL3266, BROWN	500.0 [19.7 in]

** WIRE LEADS PROVIDED ARE DEPENDANT ON THE FUNCTION SELECTED **

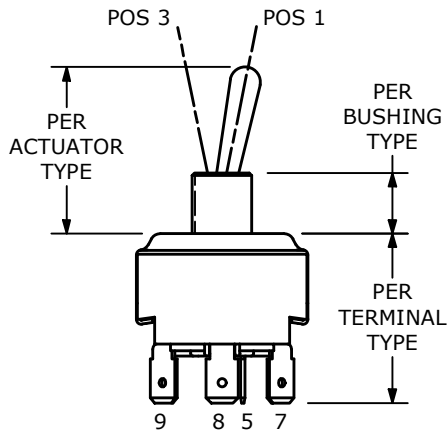


W = WIRED LEADS 500mm

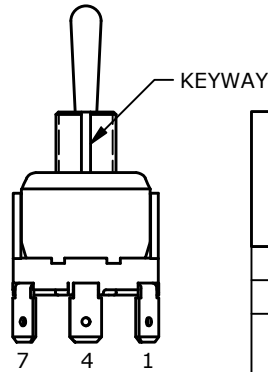


ST3 SERIES TOGGLE SWITCH

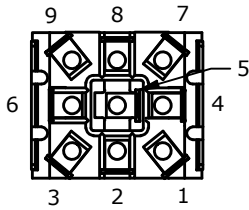
FUNCTION OPTIONS



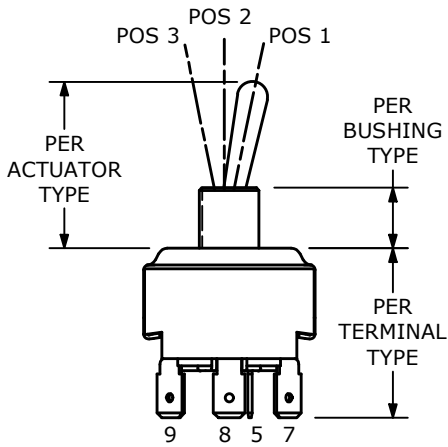
FUNCTIONS: R & S



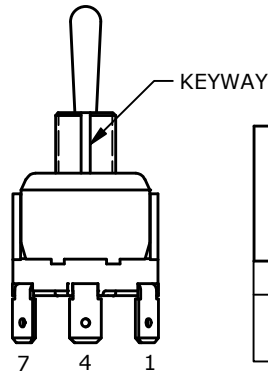
FUNCTION	POS. 1 	POS. 2 	POS. 3
R - OFF - ON	OFF	N/A	ON
S - ON - ON	ON	N/A	ON
TERMINAL CLOSURES	R= OPEN S= 2-3, 5-6, 8-9	N/A	R= 1-2, 4-5, 7-8 S= 1-2, 4-5, 7-8



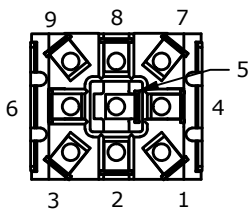
TERMINALS 3, 6 AND 9 ONLY WITH FUNCTION S



FUNCTION: T

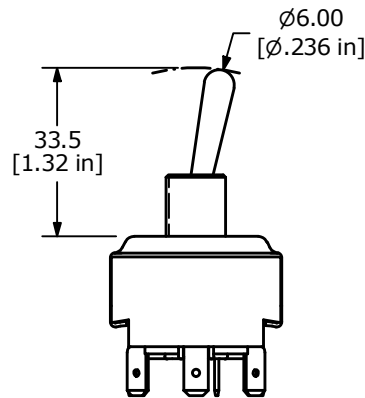


FUNCTION	POS. 1 	POS. 2 	POS. 3
T - ON - OFF - ON	ON	OFF	ON
TERMINAL CLOSURES	2-3, 5-6, 8-9	OPEN	1-2, 4-5, 7-8



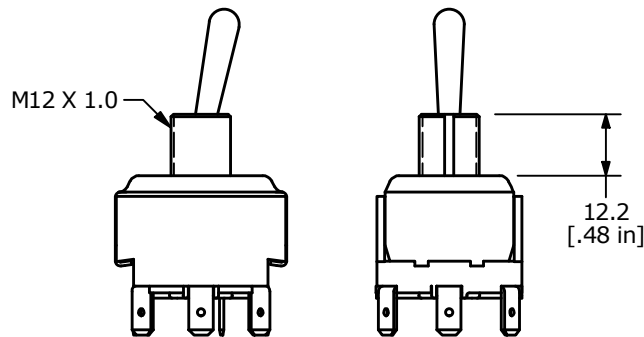
ST3 SERIES TOGGLE SWITCH

ACTUATOR OPTIONS



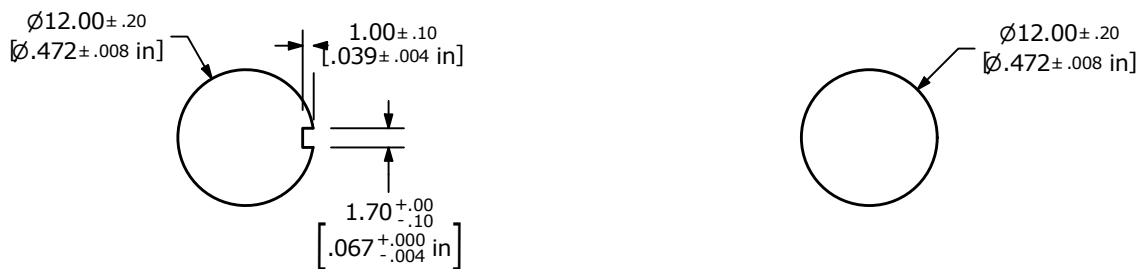
0 = STANDARD BAT

BUSHING OPTIONS



0 = M12 X 1.0

PANEL CUTOUT OPTIONS



RECOMMENDED PANEL CUTOUT

ALTERNATE PANEL CUTOUT

