

353537-1 ✓ ACTIVE

AMP | Multilock Connector System

TE Internal #: 353537-1

Automotive Terminals, Tab, Mating Tab Width 1 mm [.039 in], Tab Thickness .64 mm [.025 in], 22 – 20 AWG Wire Size, Multilock Connector System

[View on TE.com >](#)



Terminals & Splices > Automotive Terminals > MULTILOCK, RECEPTACLE AND TAB



Terminal Type: **Tab**

Mating Tab Width: **1 mm [.039 in]**

Mating Tab Thickness: **.64 mm [.025 in]**

Terminal Transmits: **0 – 24 A (Low Power)**

Wire Size: **22 – 20 AWG**

[All MULTILOCK, RECEPTACLE AND TAB \(136\)](#)

Features

Product Type Features

Sealable	No
Primary Locking Feature	Clean Body

Contact Features

Contact Size	1mm
Contact Fabrication	Stamped & Formed
Wire Contact Termination Area Plating Material	Tin
Crimp Type	F-Crimp
Terminal Type	Tab
Mating Tab Width	1 mm[.039 in]
Mating Tab Thickness	.64 mm[.025 in]
Interface Plating	Tin (Sn)

Termination Features

Termination Method to Wire & Cable	Crimp
Product Terminates To	Wire

Dimensions

Compatible Insulation Diameter Range	1.4 – 1.7 mm[.055 – .066 in]
--------------------------------------	------------------------------



Wire Size	.3 – .5 mm ²
Wire Size Search	20 AWG, 21 AWG, 22 AWG

Usage Conditions

Insulation Option	Uninsulated
Operating Temperature (Max)	80 °C, 85 °C, 90 °C, 100 °C, 105 °C [176 °F] [185 °F][194 °F][212 °F][221 °F]
Operating Temperature Range	-40 – 105 °C [-40 – 221 °F]

Operation/Application

Compatible With Wire Base Material	Copper
------------------------------------	--------

Packaging Features

Packaging Quantity	5000
Packaging Method	Reel

Other

Terminal Transmits	0 – 24 A (Low Power)
--------------------	----------------------

Product Compliance

[For compliance documentation, visit the product page on TE.com>](#)

EU RoHS Directive 2011/65/EU	Compliant
EU ELV Directive 2000/53/EC	Compliant
China RoHS 2 Directive MIIT Order No 32, 2016	No Restricted Materials Above Threshold
EU REACH Regulation (EC) No. 1907/2006	Current ECHA Candidate List: JUNE 2023 (235) Candidate List Declared Against: JAN 2023 (233) Does not contain REACH SVHC
Halogen Content	Low Halogen - Br, Cl, F, I < 900 ppm per homogenous material. Also BFR/CFR/PVC Free
Solder Process Capability	Not applicable for solder process capability

Product Compliance Disclaimer

This information is provided based on reasonable inquiry of our suppliers and represents our current actual knowledge based on the information they provided. This information is subject to change. The part numbers that TE has identified as EU RoHS compliant have a maximum concentration of 0.1% by weight in homogenous materials for lead, hexavalent chromium, mercury, PBB, PBDE, DBP, BBP, DEHP, DIBP, and 0.01% for cadmium, or qualify for an exemption to these limits as defined in the Annexes of Directive 2011/65/EU (RoHS2). Finished electrical and electronic equipment products will be CE marked as required by Directive 2011/65/EU. Components may not be CE marked. Additionally, the part numbers that TE has identified as EU ELV compliant have a maximum concentration of 0.1% by weight in homogenous materials for lead, hexavalent chromium, and mercury, and 0.01% for cadmium, or qualify for an exemption to these limits

as defined in the Annexes of Directive 2000/53/EC (ELV). Regarding the REACH Regulation, the information TE provides on SVHC in articles for this part number is based on the latest European Chemicals Agency (ECHA) 'Guidance on requirements for substances in articles' posted at this URL: <https://echa.europa.eu/guidance-documents/guidance-on-reach>

Compatible Parts



TE Part # 2305570-1
Strip Terminal Cutter-Side Feed-No Crimp



TE Part # CAT-M9194-CH8172
MULTILOCK, CONNECTOR HOUSING



TE Part # 2-2151144-1
OCEAN_2.0_APPLICATOR-S-067F062F



TE Part # 2151144-1
OCEAN_2.0_APPLICATOR-S-067F062F



TE Part # 2-2151144-2
OCEAN_2.0_APPLICATOR-S-067F062FA



TE Part # 2-2836577-1
OCEAN-2.0-APPLICATOR-S-070F130F



TE Part # 2-2836577-2
OCEAN-2.0-APPLICATOR-S-070F130FA



TE Part # 2151144-2
OCEAN_2.0_APPLICATOR-S-067F062FA



TE Part # 2836577-1
OCEAN-2.0-APPLICATOR-S-070F130F



TE Part # 2836577-2
OCEAN-2.0-APPLICATOR-S-070F130FA



TE Part # 5-2151144-1
OCEAN_2.0_APPLICATOR-S-067F062F



TE Part # 5-2151144-2
OCEAN_2.0_APPLICATOR-S-067F062FA



TE Part # 7-2151144-1
OCEAN_2.0_APPLICATOR-S-067F062F



TE Part # 7-2151144-2
OCEAN_2.0_APPLICATOR-S-067F062FA



KIT
TE Part # 7-2151144-7
OCEAN_2.0_SPARE_PART_KIT-067F062F



KIT
TE Part # 7-2836564-7
OC-067F062F-752-CRIMPTOOLINGKIT

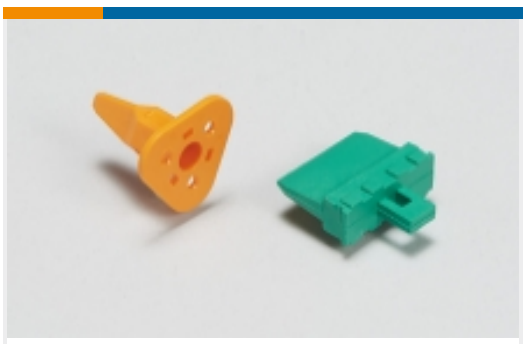
Also in the Series | Multilock Connector System



Automotive Connector Caps & Covers (17)



Automotive Connector EMC Shielding (1)



Automotive Connector Locks & Position Assurance(2)



Automotive Housings(603)



Automotive Seals & Cavity Plugs(2)



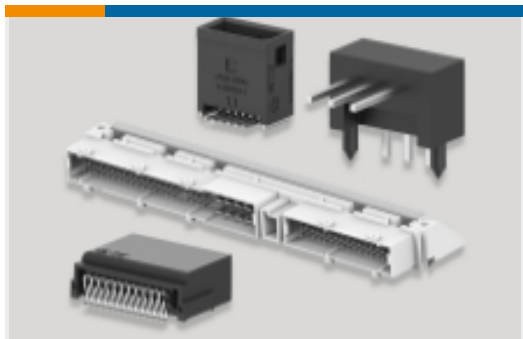
Automotive Terminals(141)



Insertion & Extraction Tools(6)



Other Automotive Connector Accessories(14)



PCB Headers & Receptacles(142)

Customers Also Bought



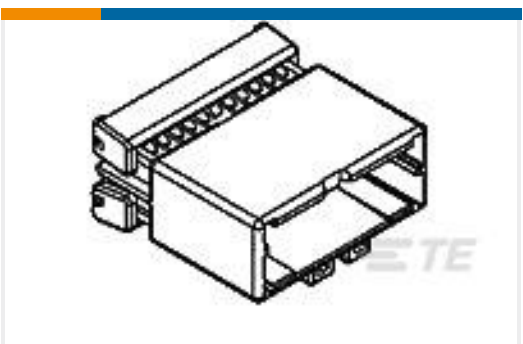
TE Part #2035363-3
1X6 GENERATION Y ASSY KEY C



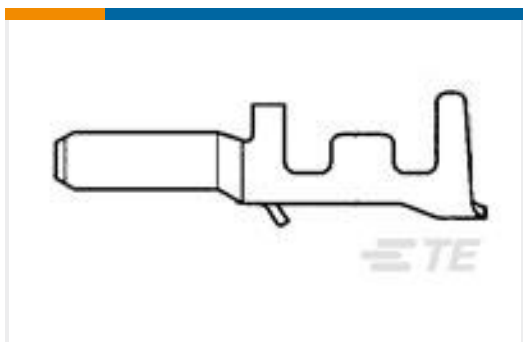
TE Part #1717109-2
TH/.025 CONNECTOR SYSTEM,
HOUSING



TE Part #2035363-1
1X6 GENERATION Y ASSY KEY B



TE Part #1123350-1
040-3 MLC CAP HSG ASSY 16P



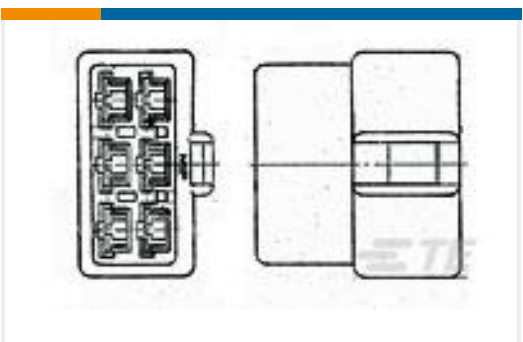
TE Part #917571-4
1.5MM VP WTB POST CONTACT



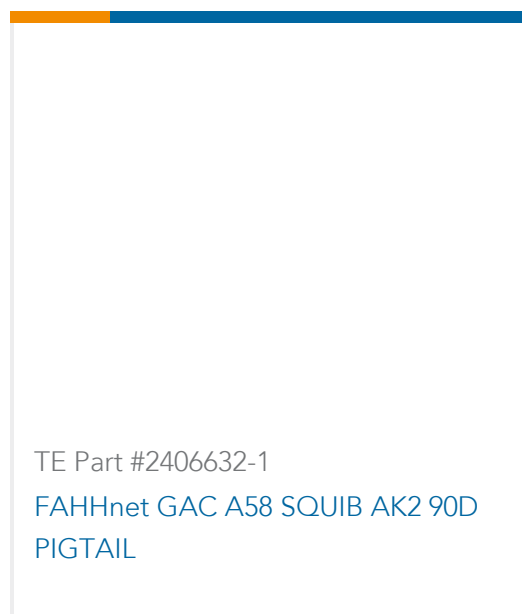
TE Part #1-1534121-2
MQS ABDECKKAP6P,BR



TE Part #2322346-1
8POS,MQS,REC HSG,UNSLD



TE Part #174203-1
250 FASTON WITH LANCE CAP 6P



Documents

Product Drawings

[040-3 UNSEALED CONT.TAB\(S\)](#)

Japanese

CAD Files

[3D PDF](#)

3D

Customer View Model

[ENG_CVM_CVM_353537-1_G.2d_dxf.zip](#)

English

Customer View Model

[ENG_CVM_CVM_353537-1_G.3d_igs.zip](#)

English

Customer View Model

[ENG_CVM_CVM_353537-1_G.3d_stp.zip](#)

English

By downloading the CAD file I accept and agree to the [Terms and Conditions](#) of use.

Datasheets & Catalog Pages

[MULTILOCK Connector System](#)

English

Product Specifications

[Crimping .040III Unsealed Contact, Tab](#)

Japanese

[Application Specification](#)

Japanese

[Crimping .040III Unsealed Contact, Tab](#)

Japanese

[Application Specification](#)

Japanese