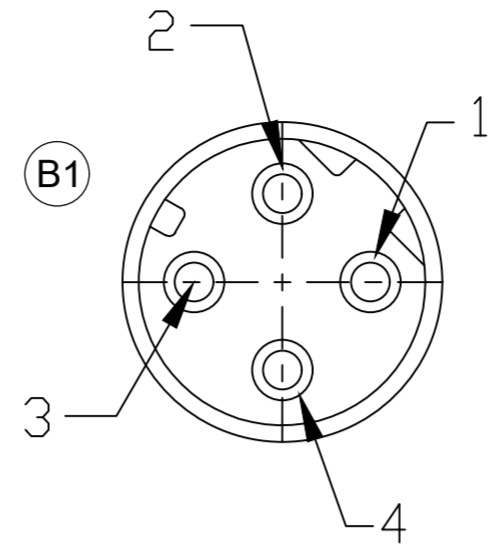


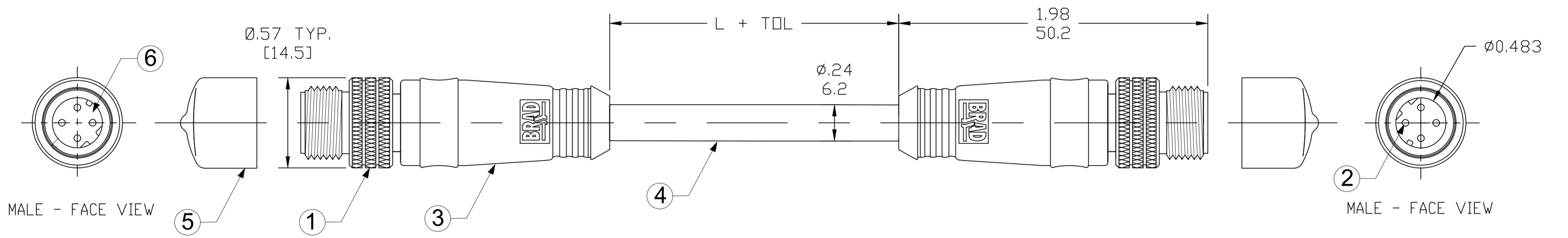
MOLEX PN	ENGINEERING PN	L(mm) + TOL
1300488040	130048-8040	4318 +165
1300488056	130048-8056	1489 +56
1300488057	130048-8057	1670 +56
1300488058	130048-8058	1943 +89
1300488059	130048-8059	2370 +89
1300488060	130048-8060	2549 +89
1300488061	130048-8061	2770 +89
1300488062	130048-8062	4170 +165
1300488063	130048-8063	5288 +165
1300488064	130048-8064	6396 +165
1300488065	130048-8065	7068 +165
1300488066	130048-8066	9131 +182
1300488067	130048-8067	10396 +207
1300488068	130048-8068	19595 +391



MALE - FACE VIEW
TYPICAL BOTH ENDS

PIN	WIRE COLOR	PIN
1	BLUE	1
2	BLACK	2
3	WHITE	3
4	RED	4
	SHIELD	

COUPLING NUT WIRE DIAGRAM COUPLING NUT



- NOTES:
1. MATERIAL: SEE TABLE
 2. FINISHES: SEE TABLE
 3. ELECTRICAL DATA:
VOLTAGE: 30V
CURRENT: 1.5A
 4. TEMP RATING: -20°C TO 105°C
 5. IP67 WHEN FULLY MATED
 6. COUPLING THREADS: M12X1
 7. ALL DIMS ARE FOR REFERENCE UNLESS TOLERANCED OR OTHERWISE NOTED.

ITEM	DESCRIPTION	MATERIAL	FINISH
6	INSERT	PUR	BLACK
5	DUST COVER	VINYL	BLACK
4	CABLE 28 AWG , 2PR, SHIELDED	BLACK	PVC
3	OVERMOLD	TPU	BLACK
2	CONTACTS	COPPER ALLOY	GOLD PLATED
1	M12 MALE COUPLING NUT	BRASS	NICKEL PLATED

FUNCTIONAL SYMBOLS FA=0 EC=0 EP=0 DIVISIONAL SYMBOLS	DIMENSION UNITS: INCH/MM SCALE: NTS CURRENT REV DESC: CORRECT POSITION OF SMALL KEY		 MICRO-CHANGE SHIELDED CORDSET D-CODE, M12, MALE/MALE PRODUCT CUSTOMER DRAWING		
	GENERAL TOLERANCES (UNLESS SPECIFIED)				EC NO: 670690 DRWN: RSTONE 2021/07/19 CHK'D: ALEON01 2021/07/21 APPR: BWOODMAN 2021/07/26
	4 PLACES ±--- ±--- 3 PLACES ±--- ±--- 2 PLACES ±--- ±--- 1 PLACE ±--- ±--- 0 PLACES ±--- ±---				INITIAL REVISION: DRWN: CCHRASTKA 2020/10/13 APPR: BWOODMAN 2020/10/21
	ANGULAR TOL ± --- ° DRAFT WHERE APPLICABLE MUST REMAIN WITHIN DIMENSIONS				THIRD ANGLE PROJECTION DRAWING: C-SIZE SERIES: 130048
DOCUMENT NUMBER: 1300488040 DOC TYPE/DOC PART: PSD 000 REVISION: B1		MATERIAL NUMBER: SEE TABLE CUSTOMER: GENERAL MARKET SHEET NUMBER: 1 OF 1			