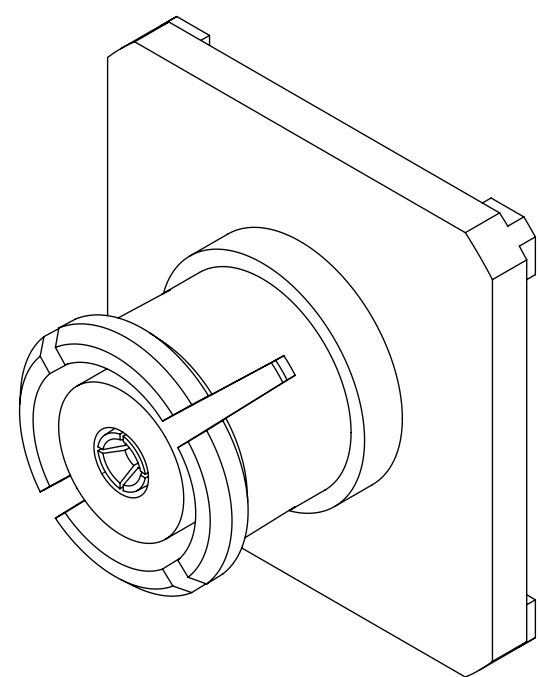
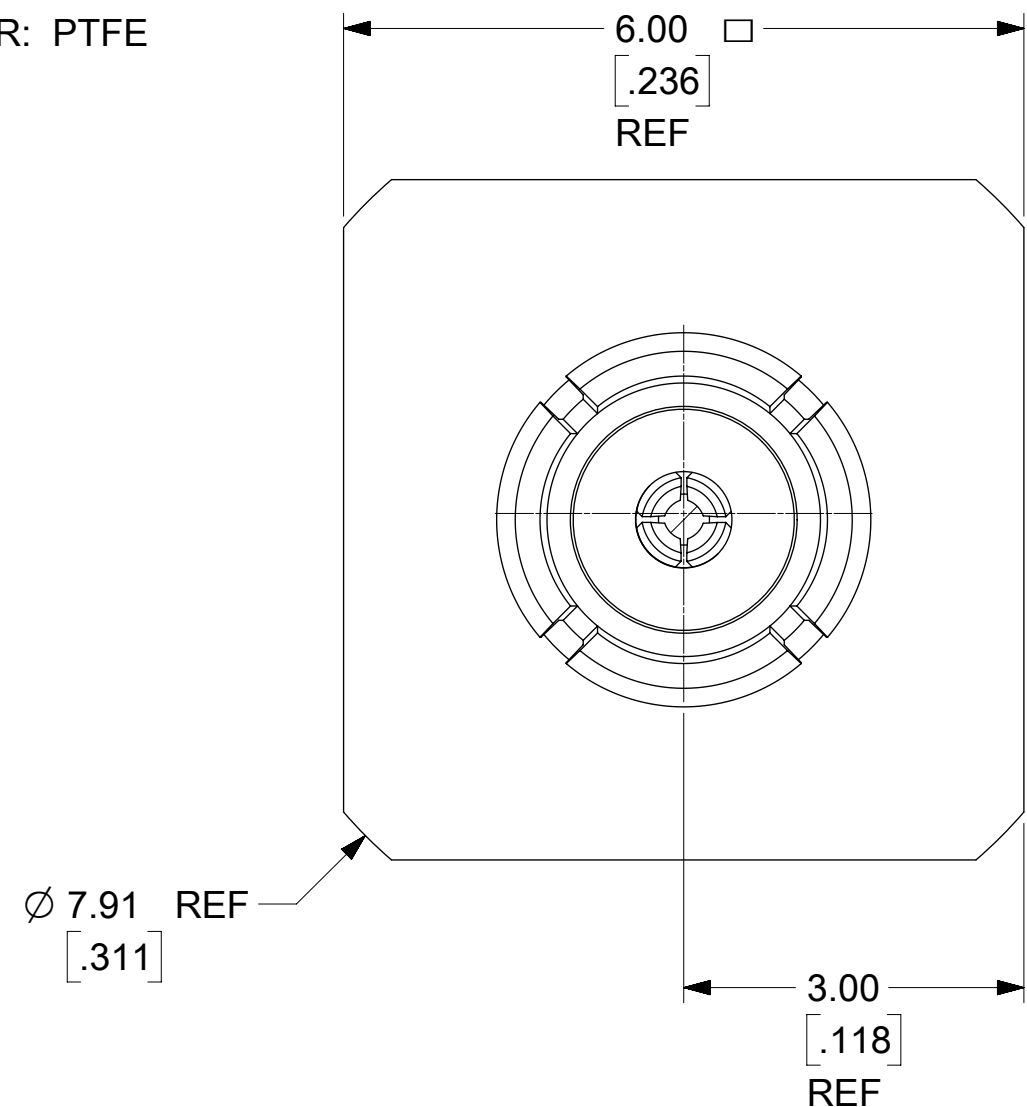


MATERIALS AND FINISHES:

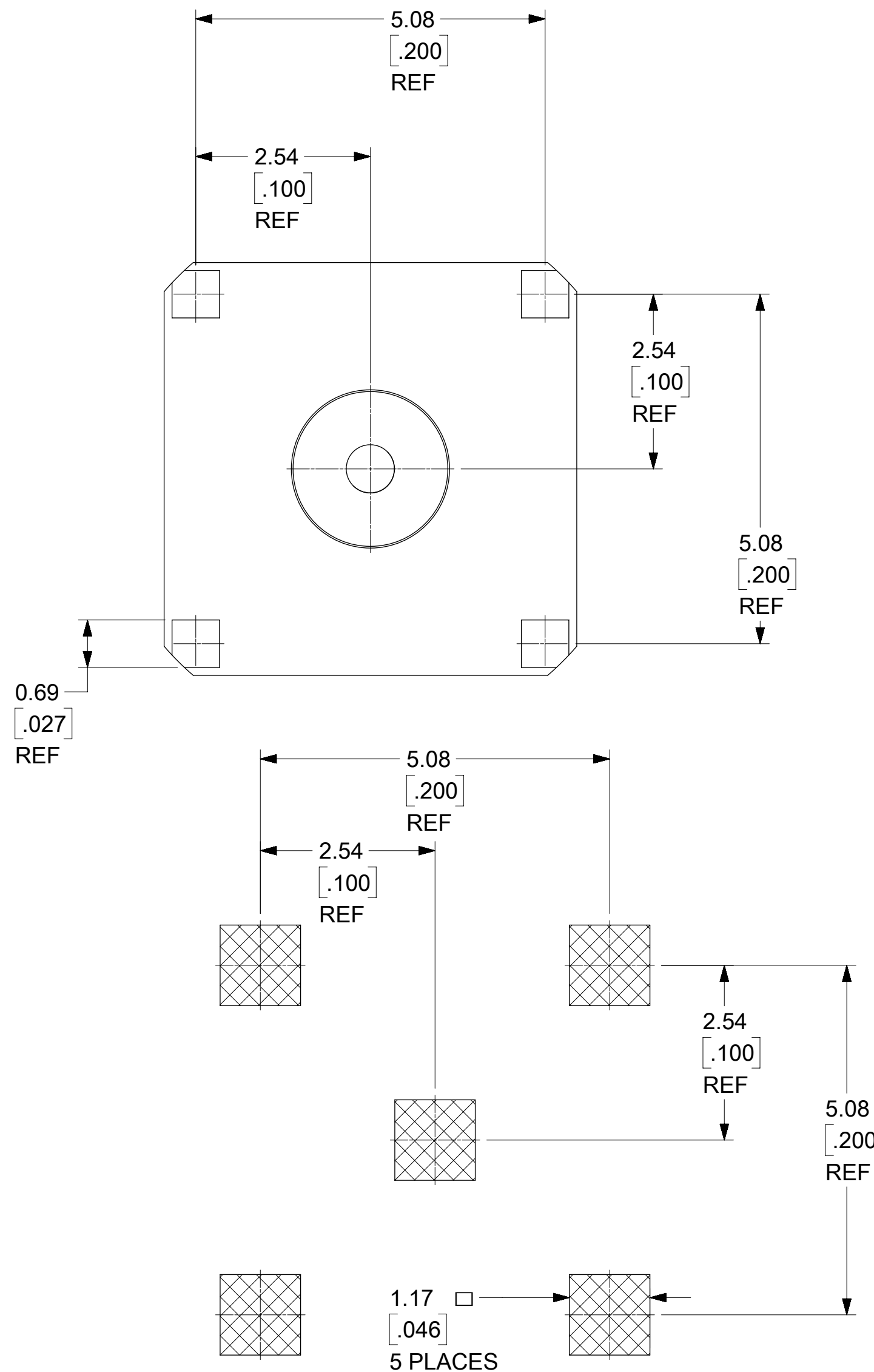
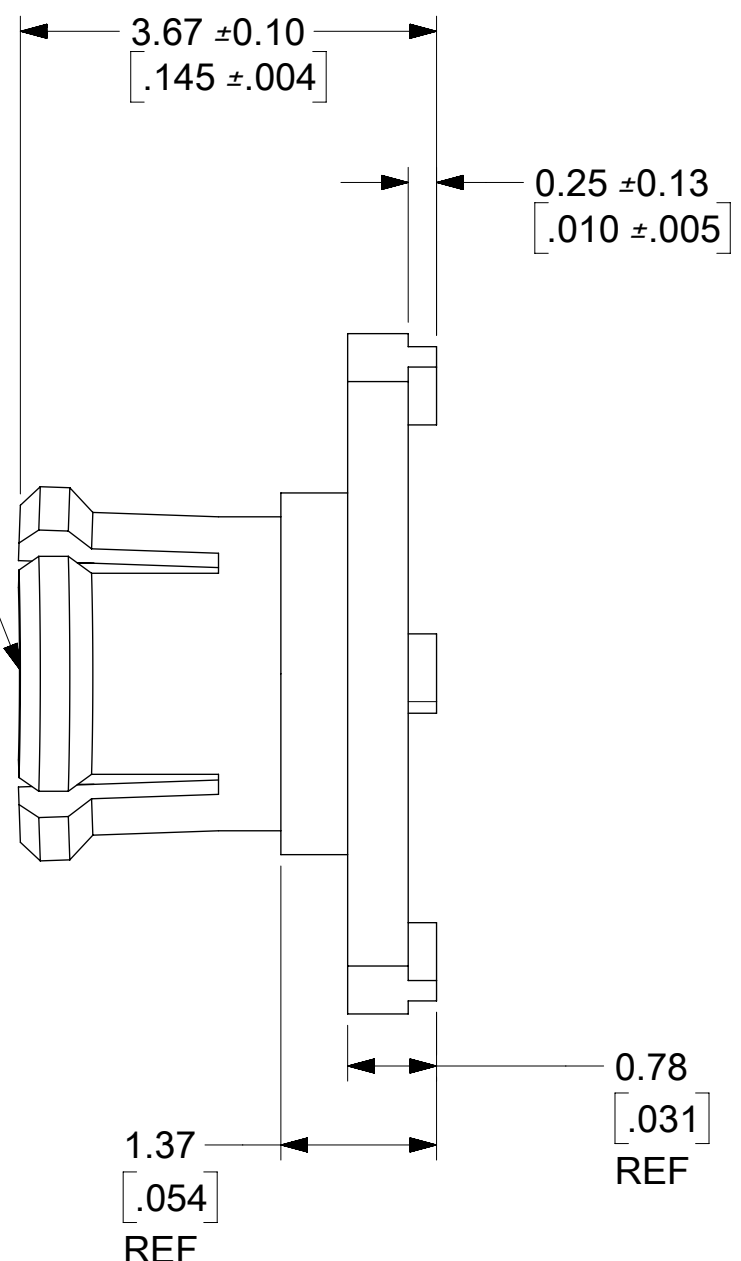
BODY: BERYLLIUM COPPER
 PLATED: GOLD (10 μ-in MIN) OVER
 NICKEL (100 μ-in MIN)

CONTACT: BERYLLIUM COPPER
 PLATED: GOLD (30 μ-in MIN) OVER
 NICKEL (100 μ-in MIN)

INSULATOR: PTFE



SMP JACK
 MODIFIED
 INTERFACE



PART # 73415-5300

RECOMMENDED PCB LAYOUT

SYMBOLS	THIS DRAWING CONTAINS INFORMATION THAT IS PROPRIETARY TO MOLEX ELECTRONIC TECHNOLOGIES, LLC AND SHOULD NOT BE USED WITHOUT WRITTEN PERMISSION			
	DIMENSION UNITS		SCALE	
▽ = 0	MM/IN	NTS		CURRENT REV DESC:
▽ = 0	GENERAL TOLERANCES (UNLESS SPECIFIED)			
▽ = 0		MM	INCH	EC NO: 625563
▽ = 0	4 PLACES	±	±	DRWN: SSSHAH 2019/09/20
▽ = 0	3 PLACES	±	±	CHK'D: BSHAH 2019/10/15
▽ = 0	2 PLACES	±	±	APPR: AROBERTSON 2019/10/15
▽ = 0	1 PLACE	±	±	INITIAL REVISION:
▽ = 0	0 PLACES	±	±	DRWN: SSHAH 2005/04/19
▽ = 0	ANGULAR TOL ± 2.0 °			APPR: JWIENER 2005/04/19
▽ = 0	DRAFT WHERE APPLICABLE MUST REMAIN WITHIN DIMENSIONS		THIRD ANGLE PROJECTION	DRAWING SERIES
▽ = 0				C-SIZE 73415
DOCUMENT STATUS		P1	RELEASE DATE	2019/10/15 19:08:27
DOCUMENT NUMBER		CUSTOMER		SHEET NUMBER
SD-73415-530		734155300		1 OF 2
DOC TYPE		DOC PART	REVISION	
PSD		001	D3	

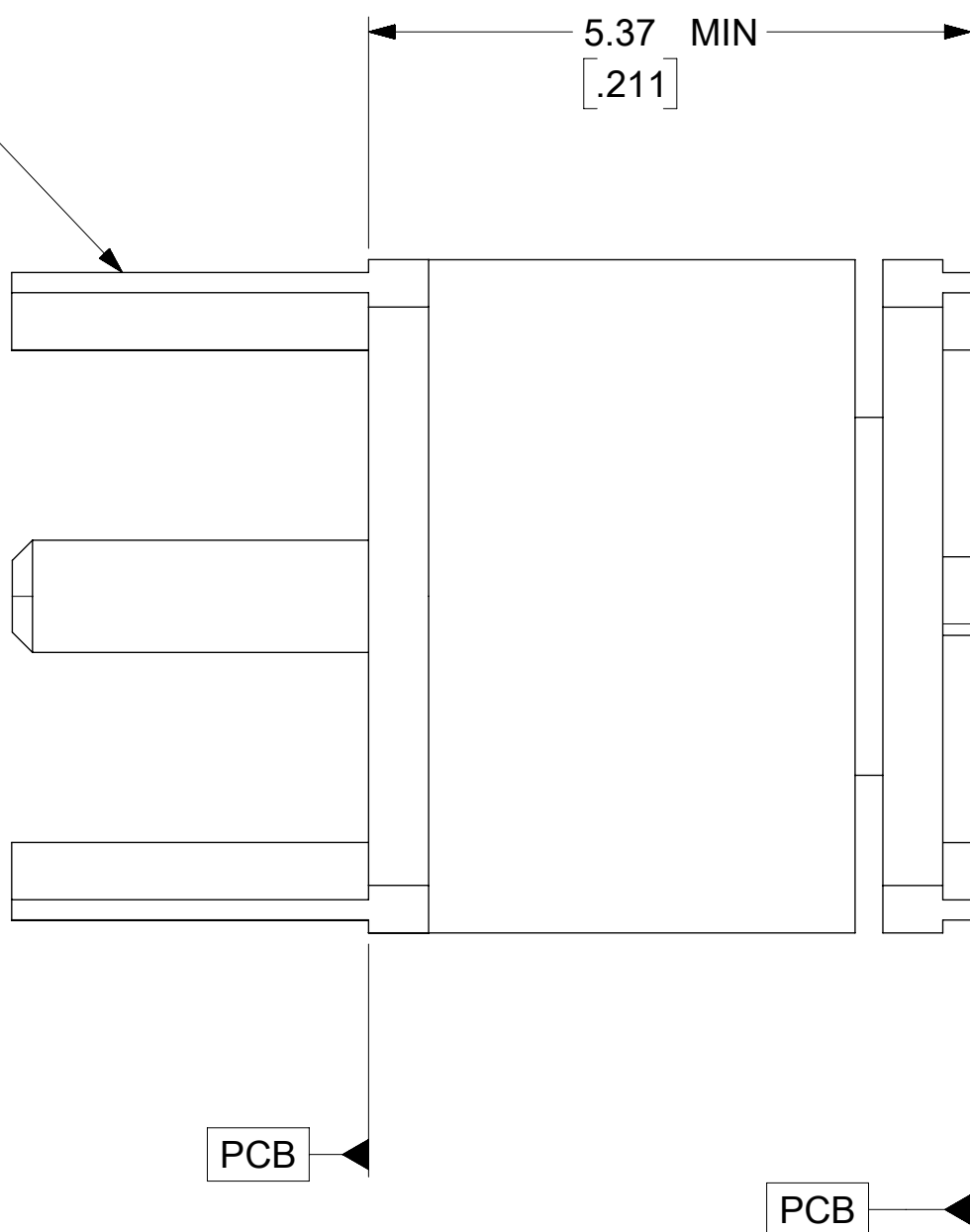
molex

SMP JACK MODIFIED INTERF
 50 OHM VERT PCB SMT SMP-J/PCB, EWR-2735

PRODUCT CUSTOMER DRAWING

73415-5300 MATED TO 73415-5310

73415-5310
(NOT INCLUDED)



THIS DRAWING CONTAINS INFORMATION THAT IS PROPRIETARY TO MOLEX ELECTRONIC TECHNOLOGIES, LLC AND SHOULD NOT BE USED WITHOUT WRITTEN PERMISSION										
SYMBOLS	DIMENSION UNITS	SCALE	CURRENT REV DESC:				molex			
▽ = 0	mm	NTS	EC NO: 625563 DRWN: SSSHAH 2019/09/20 CHK'D: BSHAH 2019/10/15 APPR: AROBERTSON 2019/10/15				SMP JACK MODIFIED INTERF 50 OHM VERT PCB SMT SMP-J/PCB, EWR-2735			
▽ = 0	GENERAL TOLERANCES (UNLESS SPECIFIED)									PRODUCT CUSTOMER DRAWING
▽ = 0	ANGULAR TOL ± 2.0°						INITIAL REVISION:			DOCUMENT NUMBER
▽ = 0	4 PLACES	±	DRWN: SSHAH 2005/04/19				SD-73415-530	PSD	001	D3
▽ = 0	3 PLACES	±	APPR: JWIENER 2005/04/19							
▽ = 0	2 PLACES	±	DRAFT WHERE APPLICABLE MUST REMAIN WITHIN DIMENSIONS				MATERIAL NUMBER	CUSTOMER	SHEET NUMBER	
▽ = 0	1 PLACE	±	THIRD ANGLE PROJECTION		DRAWING	SERIES			2 OF 2	
▽ = 0	0 PLACES	±			C-SIZE	73415				