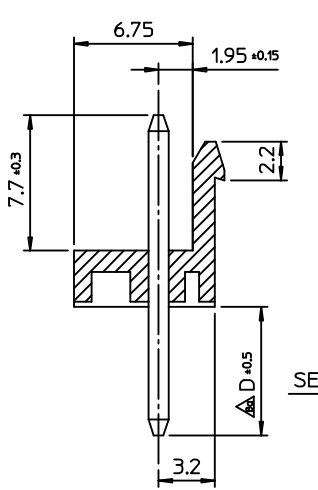


NOTES

1. MATERIAL : HEADER -PA66, ①PC/PET
PIN : BRASS(CDA 2700)
2. FINISHES : PIN
THICKNESS - TIN PLATED 3.0 MICROMETER MIN.
OVER Cu 1.5 MICROMETER MIN.
3. PRODUCT SPECIFICATION : PS-35979-001

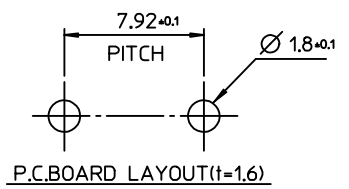
LEGEND

- 35979-****
- COLOR : 0 - WHITE
1 - BLACK
2 - RED
3 - YELLOW
4 - BLUE
 - PIN LENGTH : 1 - SHORT PIN (PA66) ①4 - SHORT PIN (PC/PET)
3 - LONG PIN (PA66) ①6 - LONG PIN (PC/PET)
 - CIRCUIT NO. (02,03,04...)



SECTION A-A

9.4	3.7	56.50	55.44	59.40	3597908**	35979-08**	8	15
		48.58	47.52	51.48	3597907**	35979-07**	7	13
		40.66	39.60	43.56	3597906**	35979-06**	6	11
3.7	3.7	32.74	31.68	35.64	3597905**	35979-05**	5	9
		24.82	23.76	27.72	3597904**	35979-04**	4	7
		16.90	15.84	19.80	3597903**	35979-03**	3	5
		8.98	7.92	11.88	3597902**	35979-02**	2	3
9.7	11.4	8.98	7.92	11.88	3597902**	35979-02**	2	3
E	D	C	B	A	MAT'L NO	ENG NO.	CKT	N



REVISED
EC NO: KOR2009-0137
DRWN: JHPARK01 2009/05/21
CHKD: WY. YANG 2009/05/21
APPR: YUNS.IKK.IM 2009/05/22

QUALITY SYMBOLS
▽=0
▽=0

GENERAL TOLERANCES (UNLESS SPECIFIED)

	mm	INCH
4 PLACES	± ---	± ---
3 PLACES	± ---	± ---
2 PLACES	± ---	± ---
1 PLACE	± 0.30	± ---

ANGULAR ± 2 °

DRAFT WHERE APPLICABLE
MUST REMAIN
WITHIN DIMENSIONS

DIMENSION STYLE
MM ONLY

SCALE
3:1

DESIGN UNITS
METRIC

THIRD ANGLE PROJECTION

DRAWN BY
YURI.WI

DATE
1999/05/07

CHECKED BY
J.K.OH

DATE
1999/05/07

APPROVED BY
C.W.LEE

DATE
1999/05/07

MATERIAL NO.
SEE TABLE

TITLE
7.92 PITCH
W-T-B CONN.
HEADER ASS'Y

MOLEX INCORPORATED

DOCUMENT NO.
SD-35979-001

SHEET NO.
1 OF 01