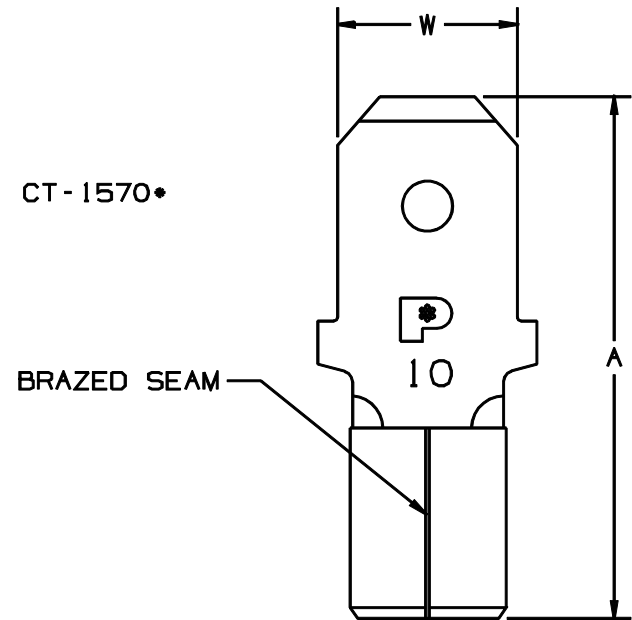


THIS COPY IS PROVIDED ON A RESTRICTED BASIS AND IS NOT TO BE USED IN ANY WAY DETRIMENTAL TO THE INTERESTS OF PANDUIT CORP.

PART NUMBER		TAB SIZE	WIRE RANGE AWG (mm <sup>2</sup> )	DIMENSIONS in	
PREFIX	PK			A <sup>±.03</sup> (.8)	W <sup>±.01</sup> (.3)
D10-250M	-L -D	.250 X .032 (6.3 X 0.8)	12-10 (4.0-6.0)	.72 (18.3)	.25 (6.3)

NOTES:

1. USED FOR:
  - A. STRANDED COPPER WIRE ONLY
2. INSTALLATION TOOLS: CT-100, CT-200, CT-260, CT-570\*, CT-1570\*
3. WIRE STRIP LENGTH: 9/32 <sup>+1/32</sup><sub>.0</sub> (7.1 <sup>+.8</sup><sub>.0</sub>)
4. MATERIAL
  - A. STAMPING: .032 (.81) THICK NICKEL PLATED COPPER
5. PACKAGING:
  - A. STD: -L = 50
  - B. BULK: -D = 500
6. DIMENSIONS IN BRACKETS ARE IN MILLIMETERS OR mm<sup>2</sup>



\* APPROVED FOR USE WITH 14-10 AWG (2.5 - 6.0) WIRE WITH CT-570 & CT-1570 TOOLS

A41546\_01

										<b>PANDUIT</b> CORP.	TINLEY PARK, ILLINOIS
01	8/97	TM		WAS TIN PLATED, ADDED CT-1570 TOOL						12-10 .250 TAB NON-INSULATED MALE DISCONNECT	
00	9/92	BK	RS	RELEASED	01148	LA	JMO				
REV	DATE	BY	CHK	DESCRIPTION	ECN #	CUST	PM	DRAWN BY BDK	CHK'D C&T'D	SCALE NONE	DRAWING NO./CAD FILENAME A41546