

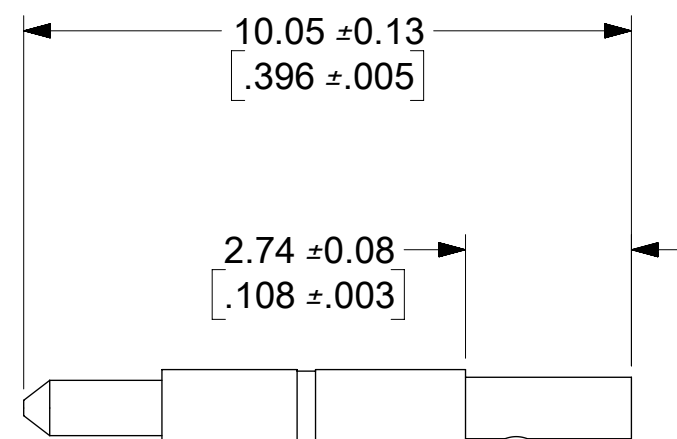
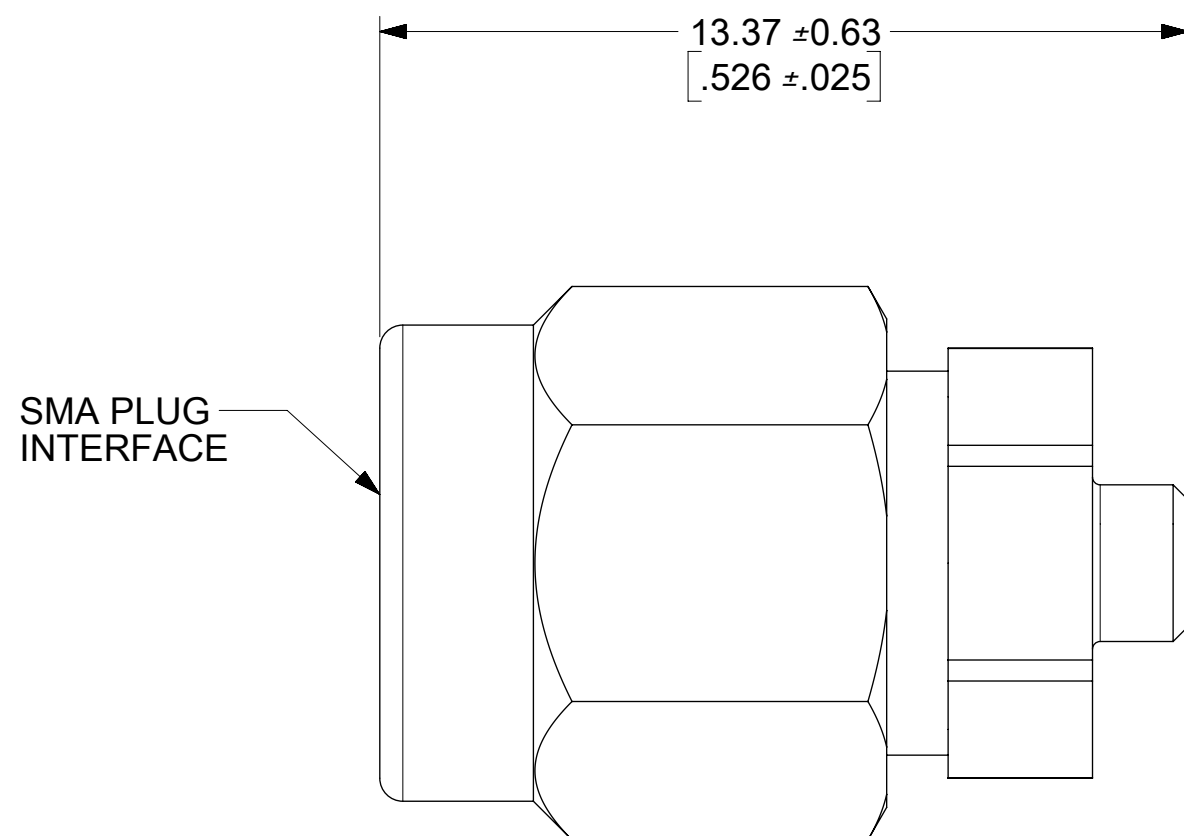
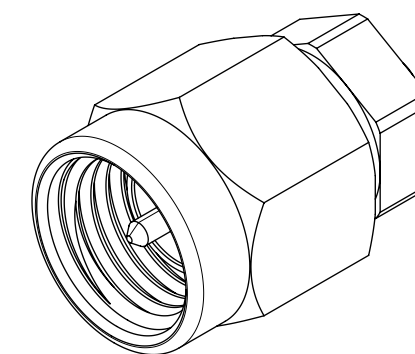
MATERIALS AND FINISHES

BODY, COUPLING NUT: STAINLESS STEEL
PLATED GOLD OVER NICKEL

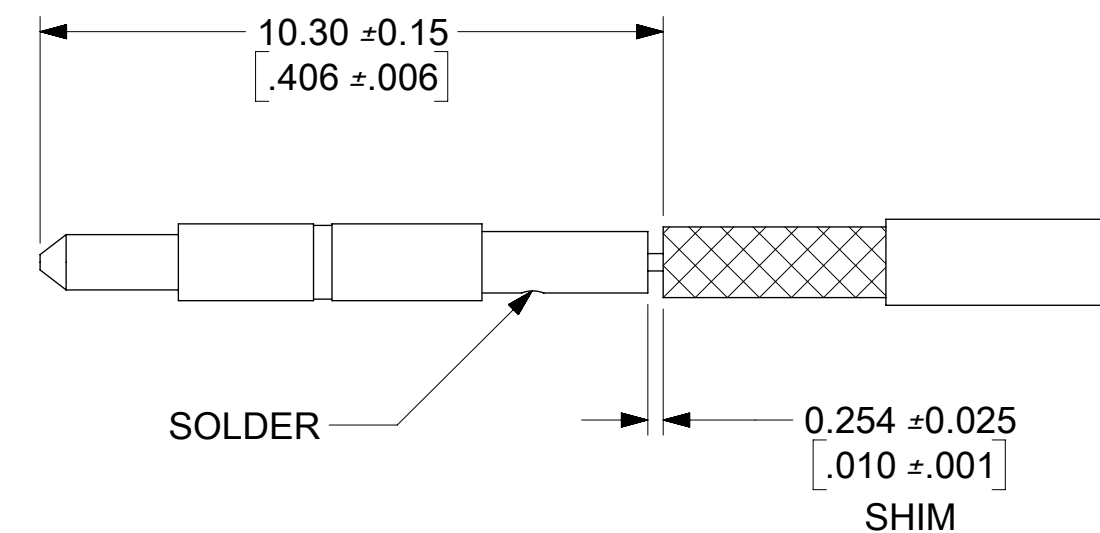
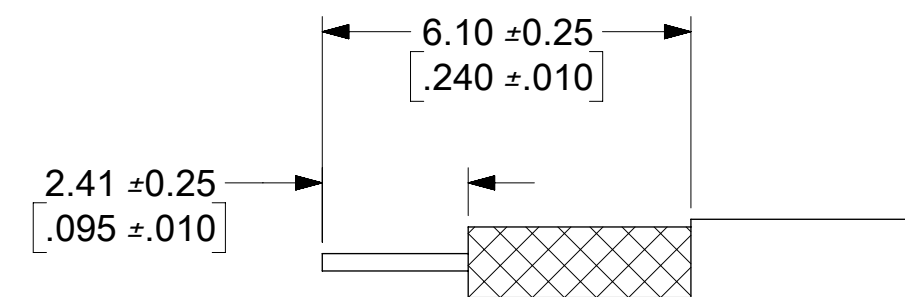
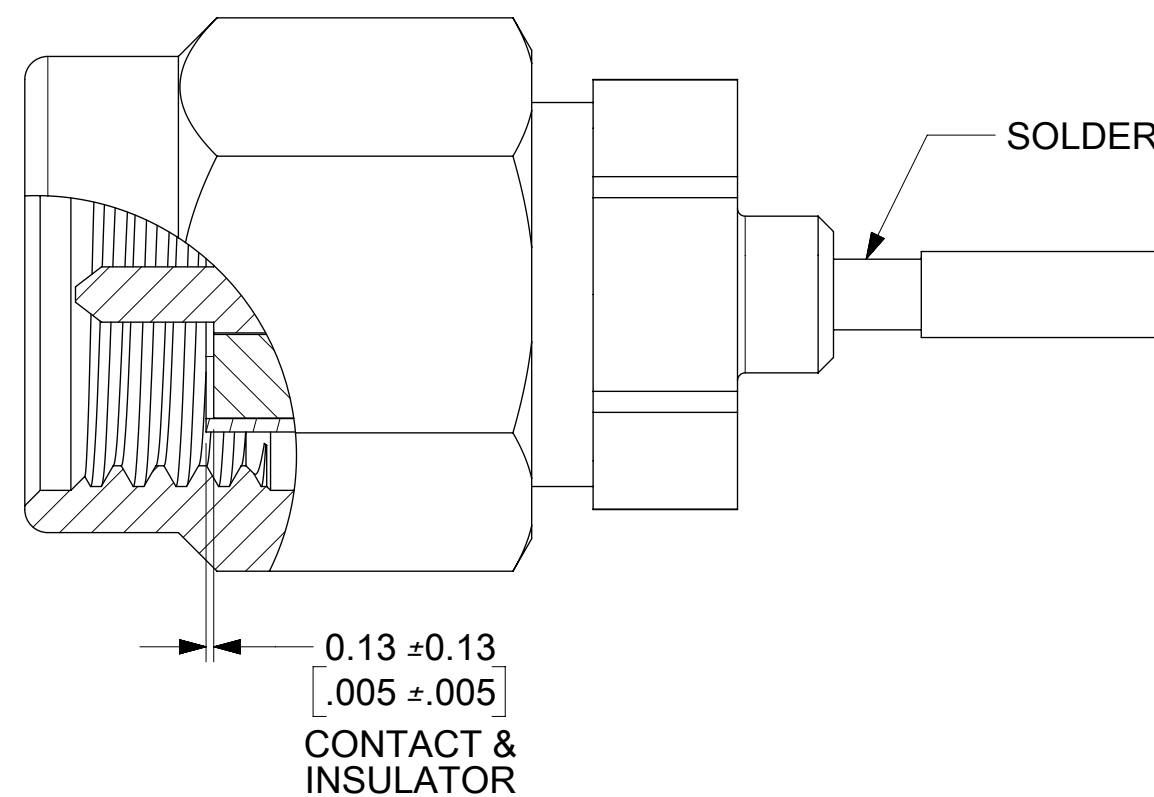
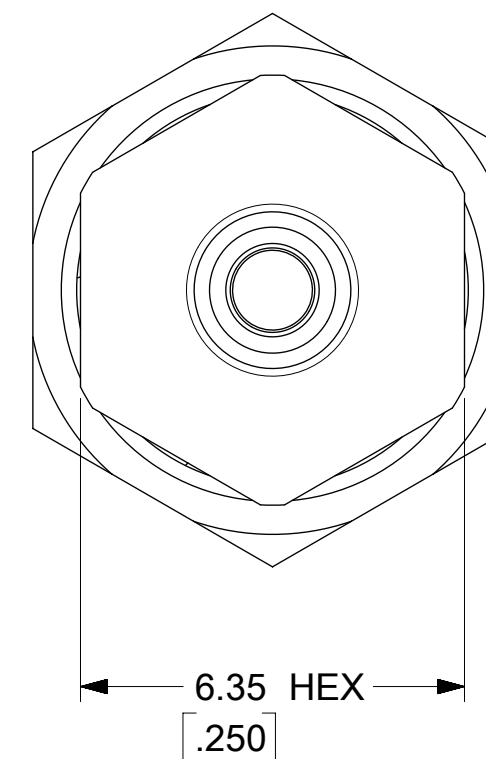
CENTER CONTACT: BRASS
PLATED GOLD OVER NICKEL

INSULATOR: TEFLON

GASKET: SILICONE RUBBER



CONTACT



PART #73251-3100

MIL-STD-348A, FIG. 310.1	INTERFACE
SPECIFICATION	DESCRIPTION

SYMBOLS	THIS DRAWING CONTAINS INFORMATION THAT IS PROPRIETARY TO MOLEX ELECTRONIC TECHNOLOGIES, LLC AND SHOULD NOT BE USED WITHOUT WRITTEN PERMISSION									
	DIMENSION UNITS	SCALE	CURRENT REV DESC: REMASTERED TO NX							
▽ = 0	MM/IN	EC NO: 177111							SMA PLUG 047 CABLE	
▽ = 0	GENERAL TOLERANCES (UNLESS SPECIFIED)		DRWN: NSRIVATSAHS				2018/02/13		50 OHMS SMA-PC	
▽ = 0	ANGULAR TOL ± 2.0°		CHK'D: CCV				2018/05/23		PRODUCT CUSTOMER DRAWING	
▽ = 0	4 PLACES ±		APPR: YCHENG				2018/05/24		DOCUMENT NUMBER	
▽ = 0	3 PLACES ±		INITIAL REVISION:				2006/11/28		DOC TYPE	
▽ = 0	2 PLACES ±		DRWN: SSHAH				2006/11/28		DOC PART	
▽ = 0	1 PLACE ±		APPR: JWIENER				2006/11/28		REVISION	
▽ = 0	0 PLACES ±		DRAFT WHERE APPLICABLE MUST REMAIN WITHIN DIMENSIONS		THIRD ANGLE PROJECTION	DRAWING	SERIES	MATERIAL NUMBER	CUSTOMER	SHEET NUMBER
▽ = 0						C-SIZE	73251	732513100	GENERAL MARKET	1 OF 1

DOCUMENT STATUS	P1	RELEASE DATE	2018/05/24	01:43:16
-----------------	----	--------------	------------	----------