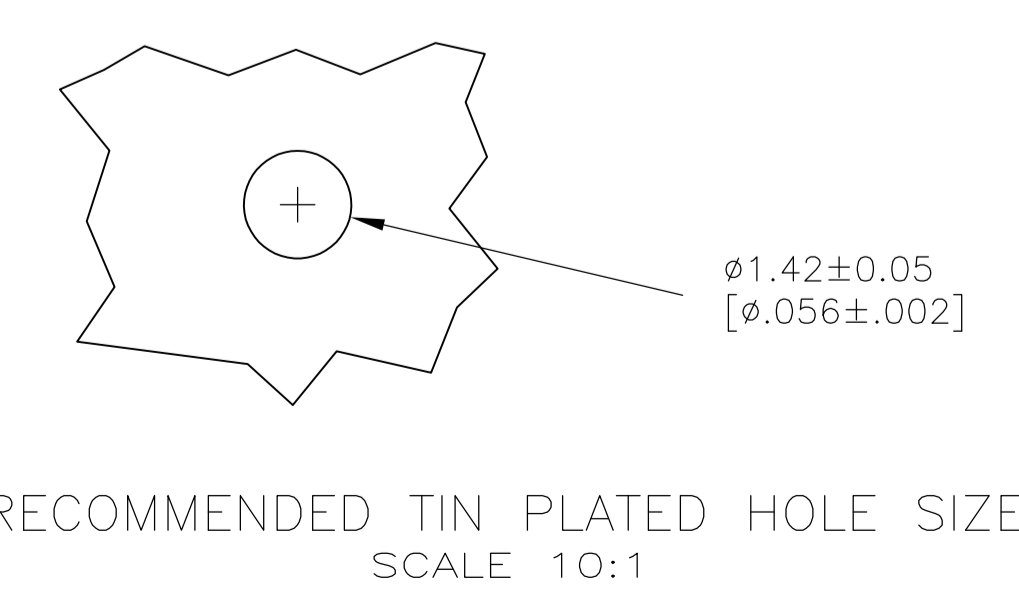
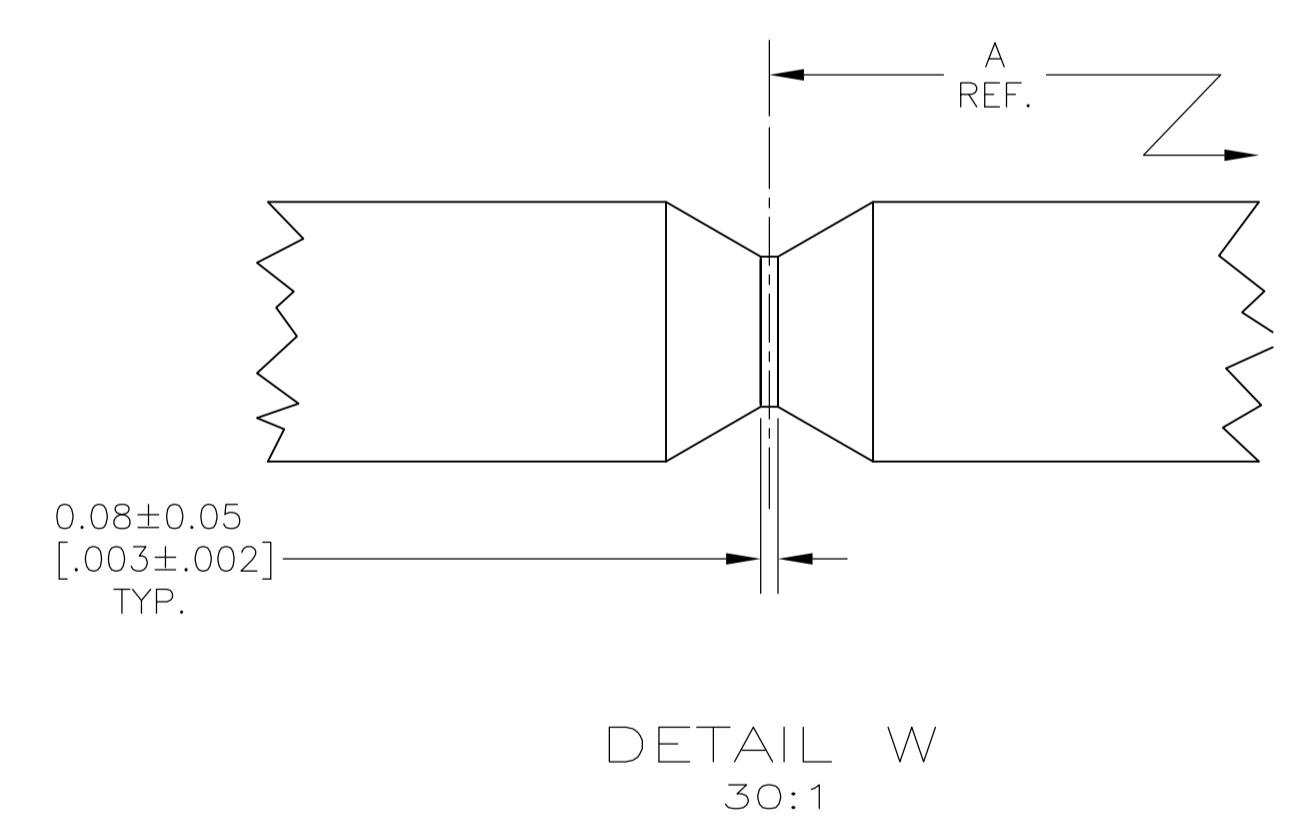
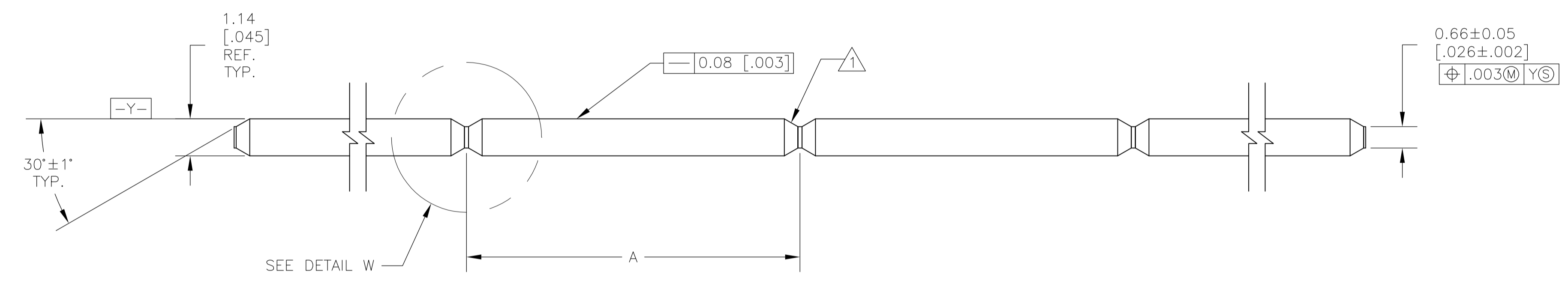


1 THE NOTCHED EDGES AND POST TIPS WILL NOT BE PLATED.
 2 .000762 [.000030] MIN GOLD OVER .00127 [.000050] MIN NICKEL.



| | | |
|-------|---------|------------|
| 25.40 | [1.000] | 6-147072-1 |
| 25.15 | [.990] | 6-147072-0 |
| 24.89 | [.980] | 5-147072-9 |
| 24.64 | [.970] | 5-147072-8 |
| 24.38 | [.960] | 5-147072-7 |
| 24.13 | [.950] | 5-147072-6 |
| 23.88 | [.940] | 5-147072-5 |
| 23.62 | [.930] | 5-147072-4 |
| 23.37 | [.920] | 5-147072-3 |
| 23.11 | [.910] | 5-147072-2 |
| 22.86 | [.900] | 5-147072-1 |
| 22.61 | [.890] | 5-147072-0 |
| 22.35 | [.880] | 4-147072-9 |
| 22.10 | [.870] | 4-147072-8 |
| 21.84 | [.860] | 4-147072-7 |
| 21.59 | [.850] | 4-147072-6 |
| 21.34 | [.840] | 4-147072-5 |
| 21.08 | [.830] | 4-147072-4 |
| 20.83 | [.820] | 4-147072-3 |
| 20.57 | [.810] | 4-147072-2 |
| 20.32 | [.800] | 4-147072-1 |
| 20.07 | [.790] | 4-147072-0 |
| 19.81 | [.780] | 3-147072-9 |
| 19.56 | [.770] | 3-147072-8 |
| 19.30 | [.760] | 3-147072-7 |
| 19.05 | [.750] | 3-147072-6 |
| 18.80 | [.740] | 3-147072-5 |
| 18.54 | [.730] | 3-147072-4 |
| 18.28 | [.720] | 3-147072-3 |
| 18.03 | [.710] | 3-147072-2 |
| 17.78 | [.700] | 3-147072-1 |
| 17.53 | [.690] | 3-147072-0 |
| 17.27 | [.680] | 2-147072-9 |
| 17.02 | [.670] | 2-147072-8 |
| 16.76 | [.660] | 2-147072-7 |
| 16.51 | [.650] | 2-147072-6 |
| 16.26 | [.640] | 2-147072-5 |
| 16.00 | [.630] | 2-147072-4 |
| 15.75 | [.620] | 2-147072-3 |
| 15.49 | [.610] | 2-147072-2 |
| 15.24 | [.600] | 2-147072-1 |
| 14.99 | [.590] | 2-147072-0 |
| 14.73 | [.580] | 1-147072-9 |
| 14.48 | [.570] | 1-147072-8 |
| 14.22 | [.560] | 1-147072-7 |
| 13.97 | [.550] | 1-147072-6 |
| 13.72 | [.540] | 1-147072-5 |
| 13.46 | [.530] | 1-147072-4 |
| 13.21 | [.520] | 1-147072-3 |
| 12.95 | [.510] | 1-147072-2 |
| 12.70 | [.500] | 1-147072-1 |
| 12.45 | [.490] | 1-147072-0 |
| 12.19 | [.480] | 147072-9 |
| 11.94 | [.470] | 147072-8 |
| 11.68 | [.460] | 147072-7 |
| 11.43 | [.450] | 147072-6 |
| 11.18 | [.440] | 147072-5 |
| 10.92 | [.430] | 147072-4 |
| 10.67 | [.420] | 147072-3 |
| 10.41 | [.410] | 147072-2 |
| 10.16 | [.400] | 147072-1 |
| | A | PART NO. |

| | | | | |
|--|--|-------------------------------|--|--|
| THIS DRAWING IS A CONTROLLED DOCUMENT. | | DIN B HAYMAKER 23JUN00 | Tyco Electronics Corporation | |
| DIMENSIONS: INCHES | | CHK M CHIANG 4SEP98 | Harrisburg, PA 17105-3608 | |
| TOLERANCES UNLESS OTHERWISE SPECIFIED: | | APPD M CHIANG 4SEP98 | NAME .045 SQUARE CONTINUOUS POST, 30u GOLD | |
| 0 PLC ± - | | PRODUCT SPEC | | |
| 1 PLC ± - | | APPLICATION SPEC | | |
| 2 PLC ± - | | SIZE 114-13011 | | |
| 3 PLC ± 0.13(.005) | | WEIGHT | | |
| 4 PLC ± - | | A1 00779 147072 | | |
| ANGLES ± - | | CUSTOMER DRAWING | | |
| MATERIAL BRASS | | SCALE 10:1 SHEET 1 OF 1 REV E | | |