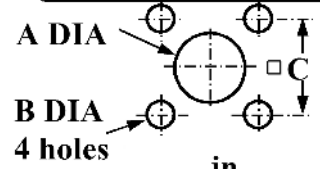
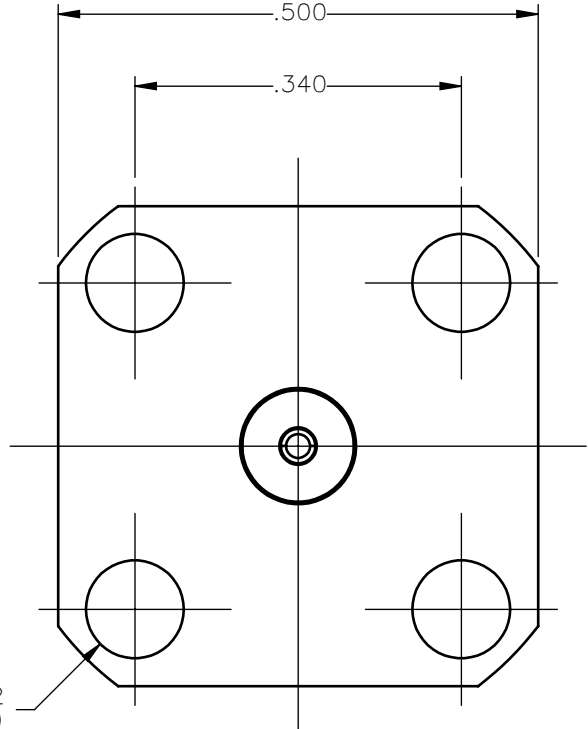
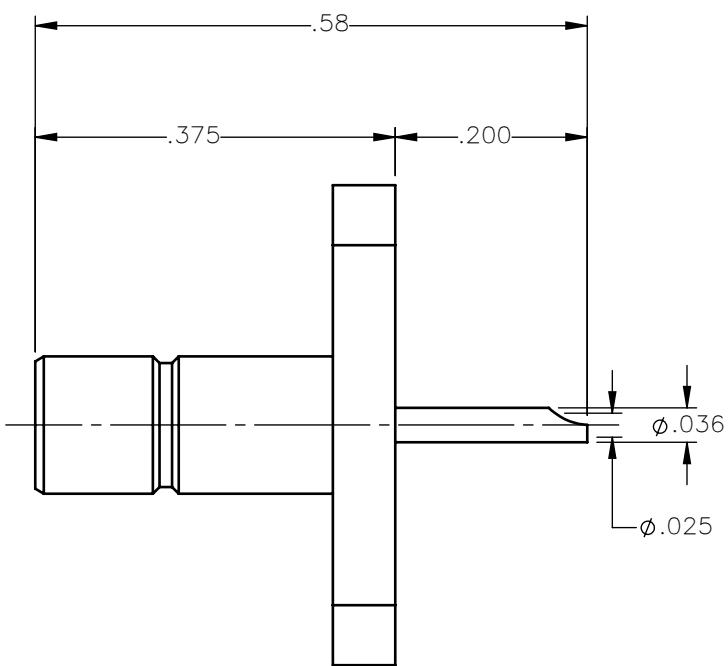


PANEL CUT OUT



	in	
	Maxi	mini
A	.126	.122
B	.106	.102
C	.342	.338

REVISIONS			
REV.	DESCRIPTION	DATE	APPROVED
A	INITIAL RELEASE	03/30/18	C.E.





NOTES:

MATERIALS:

1. INSULATOR = VIRGIN WHITE TEFLON PER ASTM D1710, GRADE 1, TYPE I, CLASS "B".
2. ALL OTHER METAL PARTS = BRASS PER ASTM B16, ALLOY C36000, TEMPER H02.

FINISHES:

1. BODY = GOLD PLATE PER ASTM B488-11, TYPE II, 30µin MIN, GRADE C OVER 100 TO 200µin COPPER STRIKE PER AMS 2418.
2. CONTACT = GOLD PLATE PER ASTM B488-11, TYPE II, 50µin MIN, GRADE C, OVER 100 TO 200µin STRESS FREE SULFAMATE NICKEL PER AMS-QQ-N-290.

UNLESS OTHERWISE SPECIFIED DIMENSIONS ARE IN INCHES TOLERANCES ON	DWN: C.E.	DATE: 03/30/18	 Property of Radiall This document cannot be reproduced or communicated to a third party without prior written permission of RADIALL.		
	CHKD: D.N.	DATE: 03/30/18			
DECIMAL	ANGLE	APVD: J.M.	DATE: 03/30/18	SMB STRAIGHT MALE JACK (4) HOLE FLANGE MOUNT PANEL RECEPTACLE	
REFERENCE:	MATERIALS & FINISHES:	SIZE: A	FSCM NO.: 19505		DWG NO.: 2486-1511-000
ORIGINATED: C.E. DATE: 03/30/18	SEE NOTES	SCALE: 5:1	THIRD ANGLE PROJECTION		REV: A
				SHEET 1 OF 1	

2486-1511-000