

A 25 -25 - Ferrule

1090634

<https://www.phoenixcontact.com/us/products/1090634>

Please be informed that the data shown in this PDF document is generated from our online catalog. Please find the complete data in the user documentation. Our general terms of use for downloads are valid.



Ferrule, length: 25 mm, color: silver

Commercial data

Item number	1090634
Packing unit	1 pc
Minimum order quantity	100 pc
Sales key	BH34
Product key	BH3412
Catalog page	Page 480 (C-3-2019)
GTIN	4055626900360
Weight per piece (including packing)	1.105 g
Customs tariff number	85369010
Country of origin	DE

A 25 -25 - Ferrule

1090634

<https://www.phoenixcontact.com/us/products/1090634>



Technical data

Product properties

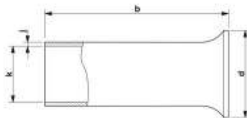
Product type	Cable end sleeve
Conductor category	stranded conductors, class 2, 5, 6 / B, C, K, M

Connection data

Conductor connection

Conductor cross section flexible max.	25 mm ²
Conductor cross section AWG max.	4
Stripping length	25 mm

Dimensions

Dimensional drawing	
Length	25 mm
Maximum stripping length	25 mm
Ferrule diameter	7.3 mm
Sleeve wall thickness	0.2 mm
Inner dimensions of the insulating collar	9.5 mm

Material specifications

Color	silver
Material	CU-DHP
Coating	tin-plated (galvanic)

Environmental and real-life conditions

Ambient conditions

Permanent temperature	105 °C
Short-term temperature	120 °C

Standards and regulations

Design according to standard	DIN 46228-1, UL 486F-A
------------------------------	------------------------

A 25 -25 - Ferrule

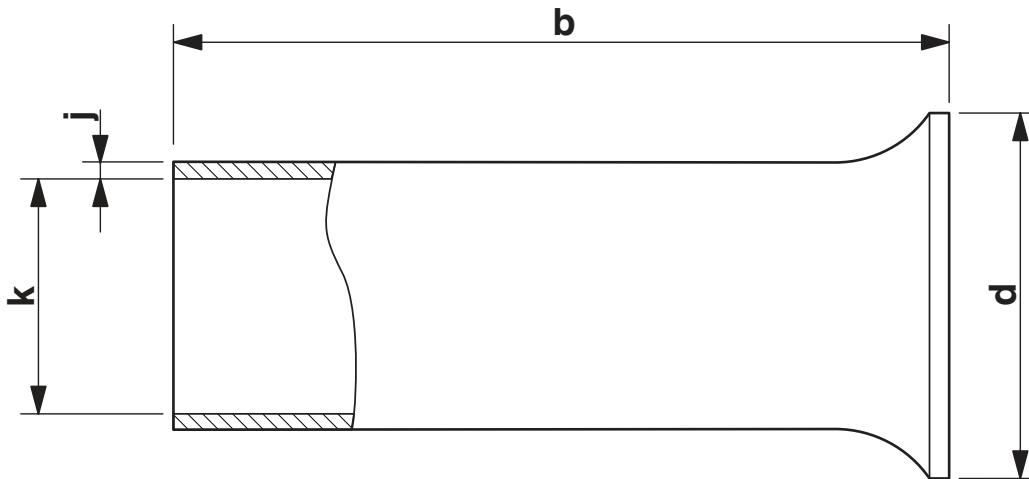
1090634

<https://www.phoenixcontact.com/us/products/1090634>



Drawings

Dimensional drawing



Sleeve length (b), insulating collar inner dimension (d), sleeve diameter (k), sleeve wall thickness (j)

A 25 -25 - Ferrule



1090634

<https://www.phoenixcontact.com/us/products/1090634>

Approvals

To download certificates, visit the product detail page: <https://www.phoenixcontact.com/us/products/1090634>



UL Listed

Approval ID: E488001



cUL Listed

Approval ID: E488001

cULus Listed

A 25 -25 - Ferrule

1090634

<https://www.phoenixcontact.com/us/products/1090634>



Classifications

ECLASS

ECLASS-11.0	27400201
ECLASS-12.0	27400201
ECLASS-13.0	27400201

ETIM

ETIM 8.0	EC000005
----------	----------

UNSPSC

UNSPSC 21.0	27121700
-------------	----------

A 25 -25 - Ferrule

1090634

<https://www.phoenixcontact.com/us/products/1090634>



Environmental product compliance

China RoHS	Environmentally friendly use period: unlimited = EFUP-e
	No hazardous substances above threshold values

A 25 -25 - Ferrule

1090634

<https://www.phoenixcontact.com/us/products/1090634>



Accessories

CRIMPFOX 25R - Crimping pliers

1212039

<https://www.phoenixcontact.com/us/products/1212039>



Crimping pliers, for ferrules without insulating collar according to DIN 46228 Part 1 and ferrules with insulating collar according to DIN 46228 Part 4, 10 mm² ... 25 mm², lateral entry, WM crimp

Phoenix Contact 2023 © - all rights reserved
<https://www.phoenixcontact.com>

Phoenix Contact USA
586 Fulling Mill Road
Middletown, PA 17057, United States
(+717) 944-1300
info@phoenixcon.com